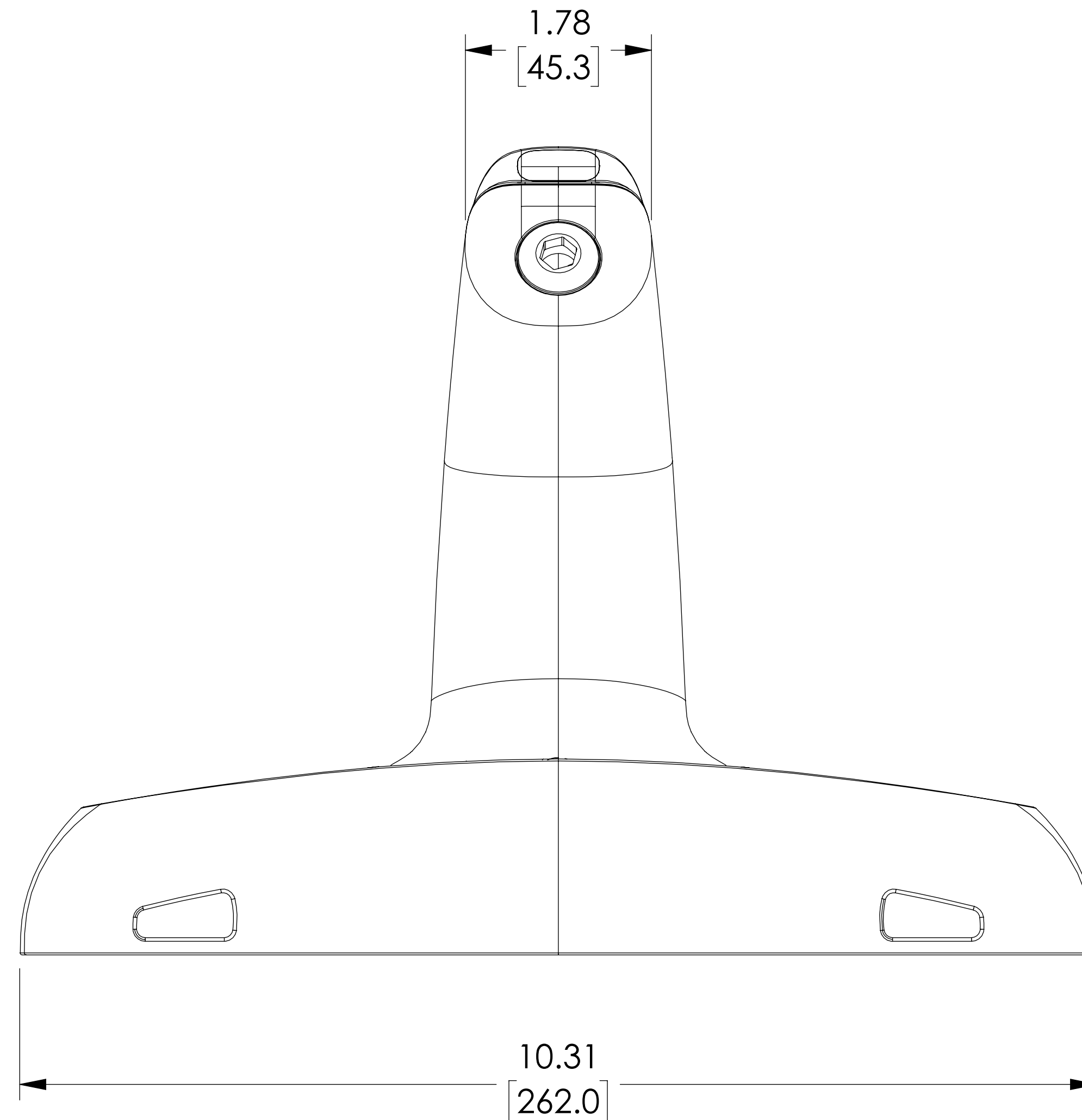
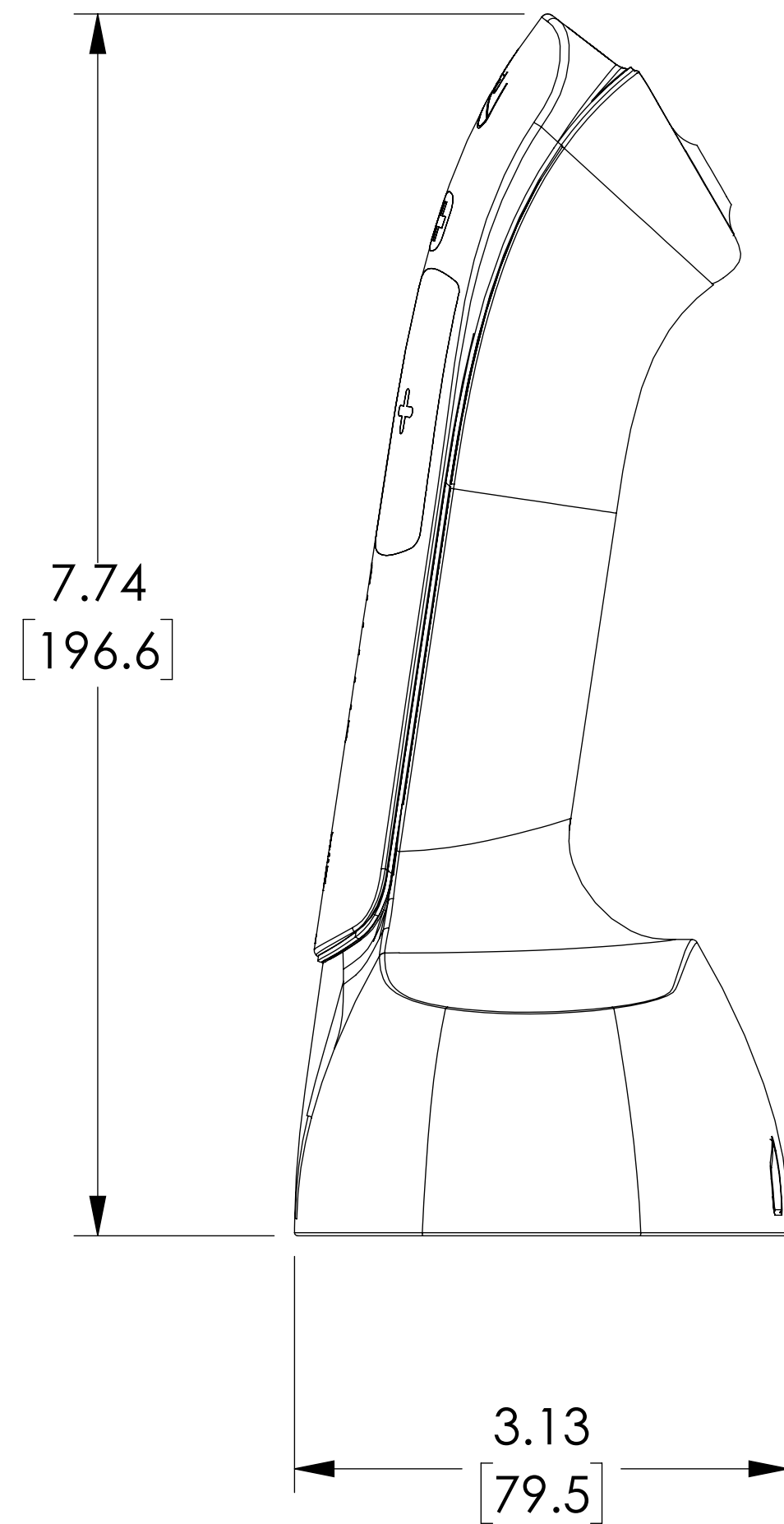
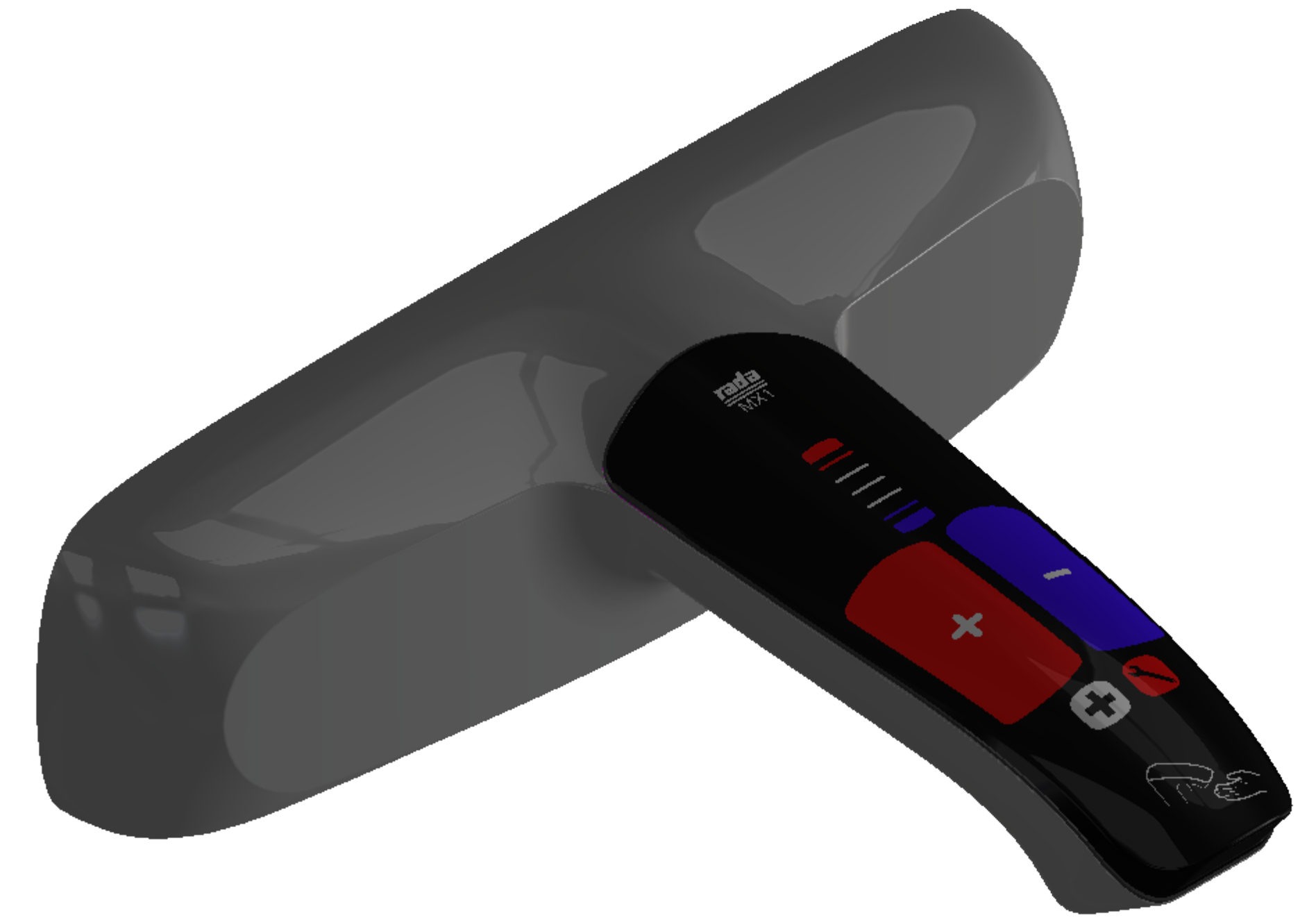


# APPROVAL

BY: \_\_\_\_\_ DATE: \_\_\_\_\_

- APPROVED, PROCEED WITH FABRICATION
- APPROVED AS NOTED, PROCEED WITH FABRICATION IN ACCORDANCE WITH COMMENTS
- DISAPPROVED, DO NOT FABRICATE



**NOTES:**

1. ARMSTRONG PART NUMBER: D128087

|  |       |            |       | <b>ARMSTRONG INTERNATIONAL</b><br>Copyright © 2010 ARMSTRONG INTERNATIONAL, INC. |         |       |       |        |      |      |       |      |     |    |       |    |  |  |  |      |      |       |       |            |          |  |  |   |  |          |     |      |       |         |   |  |  |
|--|-------|------------|-------|--|---------|-------|-------|--------|------|------|-------|------|-----|----|-------|----|--|--|--|------|------|-------|-------|------------|----------|--|--|---|--|----------|-----|------|-------|---------|---|--|--|
| DO NOT SCALE DRAWING<br>TOLERANCES UNLESS OTHERWISE SPECIFIED  |       |            |       | <b>FAUCET SINK DGTL WALL MOUNT CTRL</b><br><b>RADA MX1 60</b>                    |         |       |       |        |      |      |       |      |     |    |       |    |  |  |  |      |      |       |       |            |          |  |  |   |  |          |     |      |       |         |   |  |  |
| DIMENSIONING<br>ENGLISH [mm]   |       |            |       |  |         |       |       |        |      |      |       |      |     |    |       |    |  |  |  |      |      |       |       |            |          |  |  |   |  |          |     |      |       |         |   |  |  |
| FRACTIONAL ± 1/64<br>ANGULAR: ± 2  |       |            |       |  |         |       |       |        |      |      |       |      |     |    |       |    |  |  |  |      |      |       |       |            |          |  |  |   |  |          |     |      |       |         |   |  |  |
| <table border="1"> <thead> <tr> <th>DECIMAL</th> <th>IN.</th> <th>MM</th> </tr> </thead> <tbody> <tr> <td>.XXXX ±</td> <td>.0005</td> <td>-----</td> </tr> <tr> <td>.XXX ±</td> <td>.005</td> <td>.010</td> </tr> <tr> <td>.XX ±</td> <td>.015</td> <td>.10</td> </tr> <tr> <td>.X</td> <td>-----</td> <td>.3</td> </tr> </tbody> </table> |       | DECIMAL    | IN.   | MM   | .XXXX ± | .0005 | ----- | .XXX ± | .005 | .010 | .XX ± | .015 | .10 | .X | ----- | .3 | <table border="1"> <thead> <tr> <th></th> <th>NAME</th> <th>DATE</th> </tr> </thead> <tbody> <tr> <td>DRAWN</td> <td>DURAI</td> <td>06/11/2020</td> </tr> <tr> <td>RELEASED</td> <td></td> <td></td> </tr> </tbody> </table> |  |  | NAME | DATE | DRAWN | DURAI | 06/11/2020 | RELEASED |  |  | <table border="1"> <thead> <tr> <th>MATERIAL</th> <th>REV</th> <th>DWG.</th> <th>SALES</th> </tr> </thead> <tbody> <tr> <td>CN71998</td> <td>A</td> <td></td> <td></td> </tr> </tbody> </table> |  | MATERIAL | REV | DWG. | SALES | CN71998 | A |  |  |
| DECIMAL  | IN.   | MM         |       |  |         |       |       |        |      |      |       |      |     |    |       |    |  |  |  |      |      |       |       |            |          |  |  |   |  |          |     |      |       |         |   |  |  |
| .XXXX ±  | .0005 | -----      |       |  |         |       |       |        |      |      |       |      |     |    |       |    |  |  |  |      |      |       |       |            |          |  |  |   |  |          |     |      |       |         |   |  |  |
| .XXX ±   | .005  | .010       |       |  |         |       |       |        |      |      |       |      |     |    |       |    |  |  |  |      |      |       |       |            |          |  |  |   |  |          |     |      |       |         |   |  |  |
| .XX ±  | .015  | .10        |       |  |         |       |       |        |      |      |       |      |     |    |       |    |  |  |  |      |      |       |       |            |          |  |  |   |  |          |     |      |       |         |   |  |  |
| .X   | ----- | .3         |       |  |         |       |       |        |      |      |       |      |     |    |       |    |  |  |  |      |      |       |       |            |          |  |  |   |  |          |     |      |       |         |   |  |  |
|  | NAME  | DATE       |       |  |         |       |       |        |      |      |       |      |     |    |       |    |  |  |  |      |      |       |       |            |          |  |  |   |  |          |     |      |       |         |   |  |  |
| DRAWN  | DURAI | 06/11/2020 |       |  |         |       |       |        |      |      |       |      |     |    |       |    |  |  |  |      |      |       |       |            |          |  |  |   |  |          |     |      |       |         |   |  |  |
| RELEASED   |       |            |       |  |         |       |       |        |      |      |       |      |     |    |       |    |  |  |  |      |      |       |       |            |          |  |  |   |  |          |     |      |       |         |   |  |  |
| MATERIAL   | REV   | DWG.       | SALES |  |         |       |       |        |      |      |       |      |     |    |       |    |  |  |  |      |      |       |       |            |          |  |  |   |  |          |     |      |       |         |   |  |  |
| CN71998  | A     |            |       |  |         |       |       |        |      |      |       |      |     |    |       |    |  |  |  |      |      |       |       |            |          |  |  |   |  |          |     |      |       |         |   |  |  |
|  |       |            |       | SHEET 1 OF 1   |         |       |       |        |      |      |       |      |     |    |       |    |  |  |  |      |      |       |       |            |          |  |  |   |  |          |     |      |       |         |   |  |  |