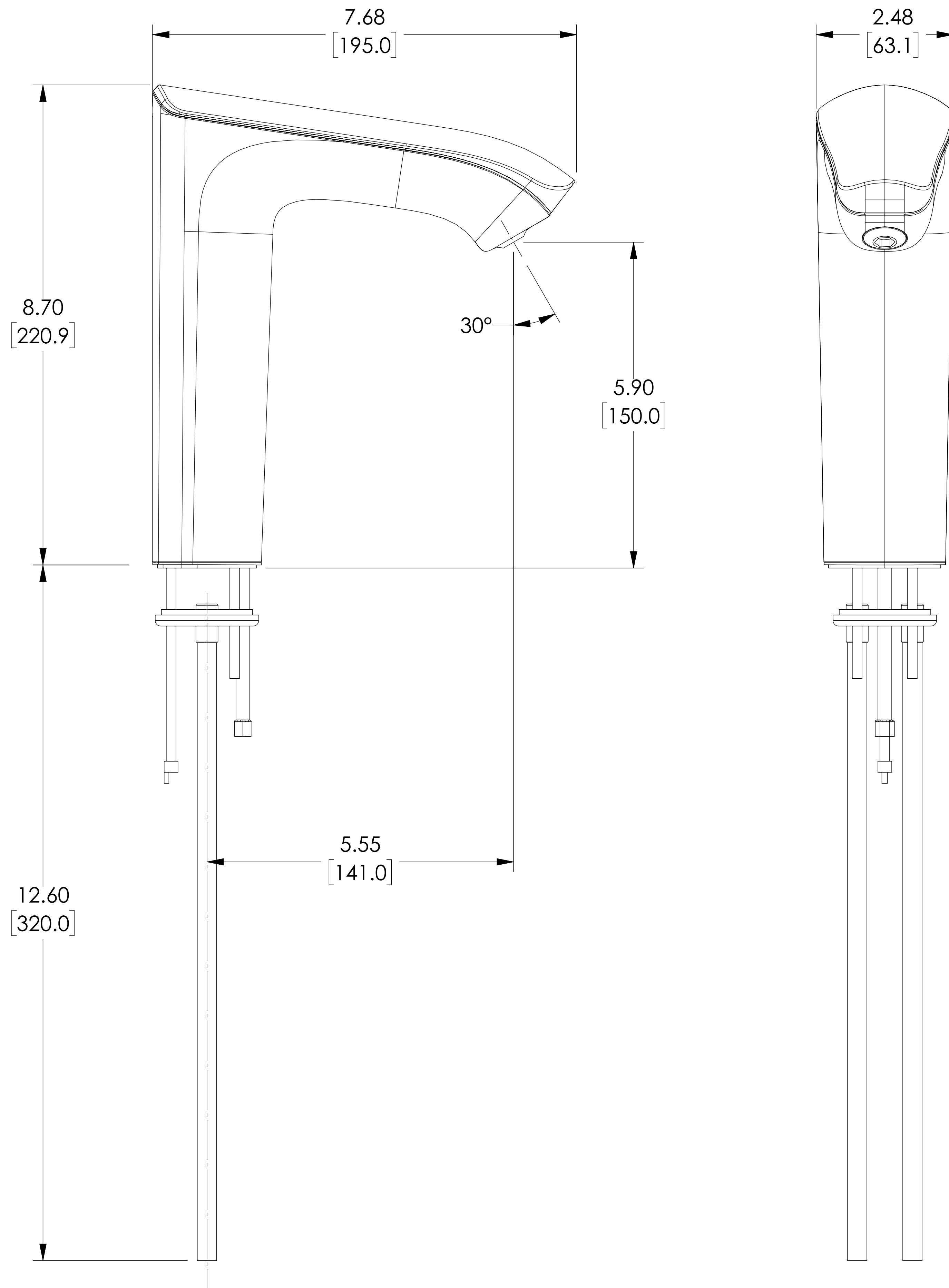


APPROVAL

BY: _____ DATE: _____

- APPROVED, PROCEED WITH FABRICATION
- APPROVED AS NOTED, PROCEED WITH FABRICATION IN ACCORDANCE WITH COMMENTS
- DISAPPROVED, DO NOT FABRICATE



NOTES:

1. ARMSTRONG PART NUMBER: D126259

DO NOT SCALE DRAWING	
TOLERANCES UNLESS OTHERWISE SPECIFIED	
DIMENSIONING ENGLISH [mm]	
FRACTIONAL ± 1/64	
ANGULAR: ± 2	
DECIMAL	.XXXX ± .0005
	.XXX ± .005
	.XX ± .015
	.X ± .3

		NAME	DATE
DRAWN	DURAI	06/11/2020	
RELEASED			

ARMSTRONG INTERNATIONAL Copyright © 2010 ARMSTRONG INTERNATIONAL, INC.			
FAUCET SINK HIGH DGTL THRMSTC W/ TEMP CTRL RADA MX1 40			
MATERIAL			SHEET 1 OF 1
CN71998	REV A	DWG.	SALES