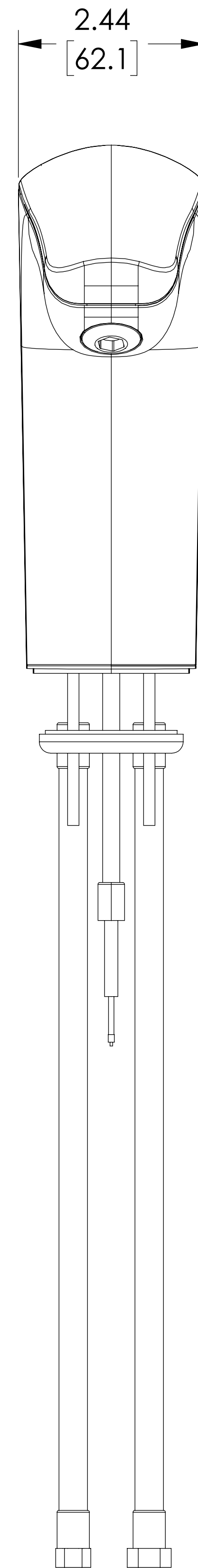
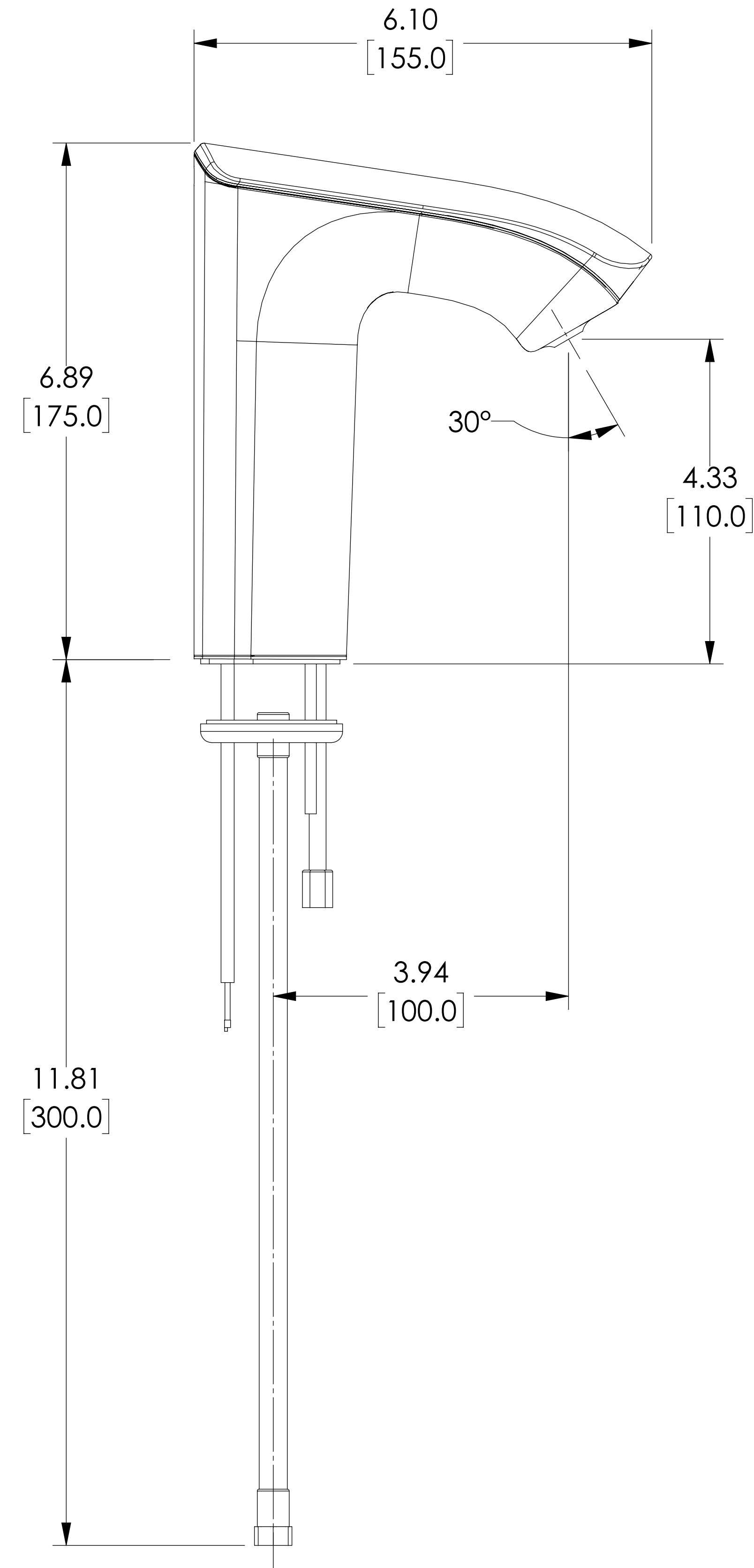


# APPROVAL

BY: \_\_\_\_\_ DATE: \_\_\_\_\_

- APPROVED, PROCEED WITH FABRICATION
- APPROVED AS NOTED, PROCEED WITH FABRICATION IN ACCORDANCE WITH COMMENTS
- DISAPPROVED, DO NOT FABRICATE



NOTES:

1. ARMSTRONG PART NUMBER: D128088

				ARMSTRONG INTERNATIONAL Copyright © 2010 ARMSTRONG INTERNATIONAL, INC.	
DO NOT SCALE DRAWING TOLERANCES UNLESS OTHERWISE SPECIFIED DIMENSIONING ENGLISH [mm]				FAUCET SINK DGTL NO TEMP ADJ CTRL RADA MX1 20N	
FRACTIONAL ± 1/64 ANGULAR: ± 2				MATERIAL	
DECIMAL .XXX ± .005 .010 .XX ± .015 .10 .X ± .3		NAME DURAI	DATE 06/11/2020	SHEET 1 OF 1	
		DRAWN		CN71998	REV A DWG. SALES
		RELEASED			