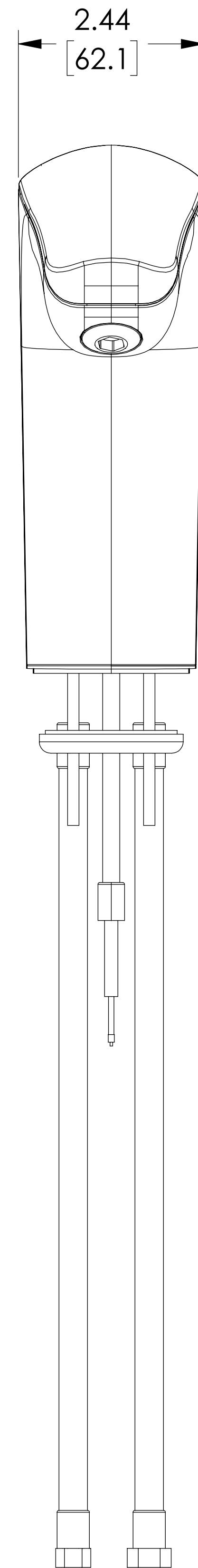
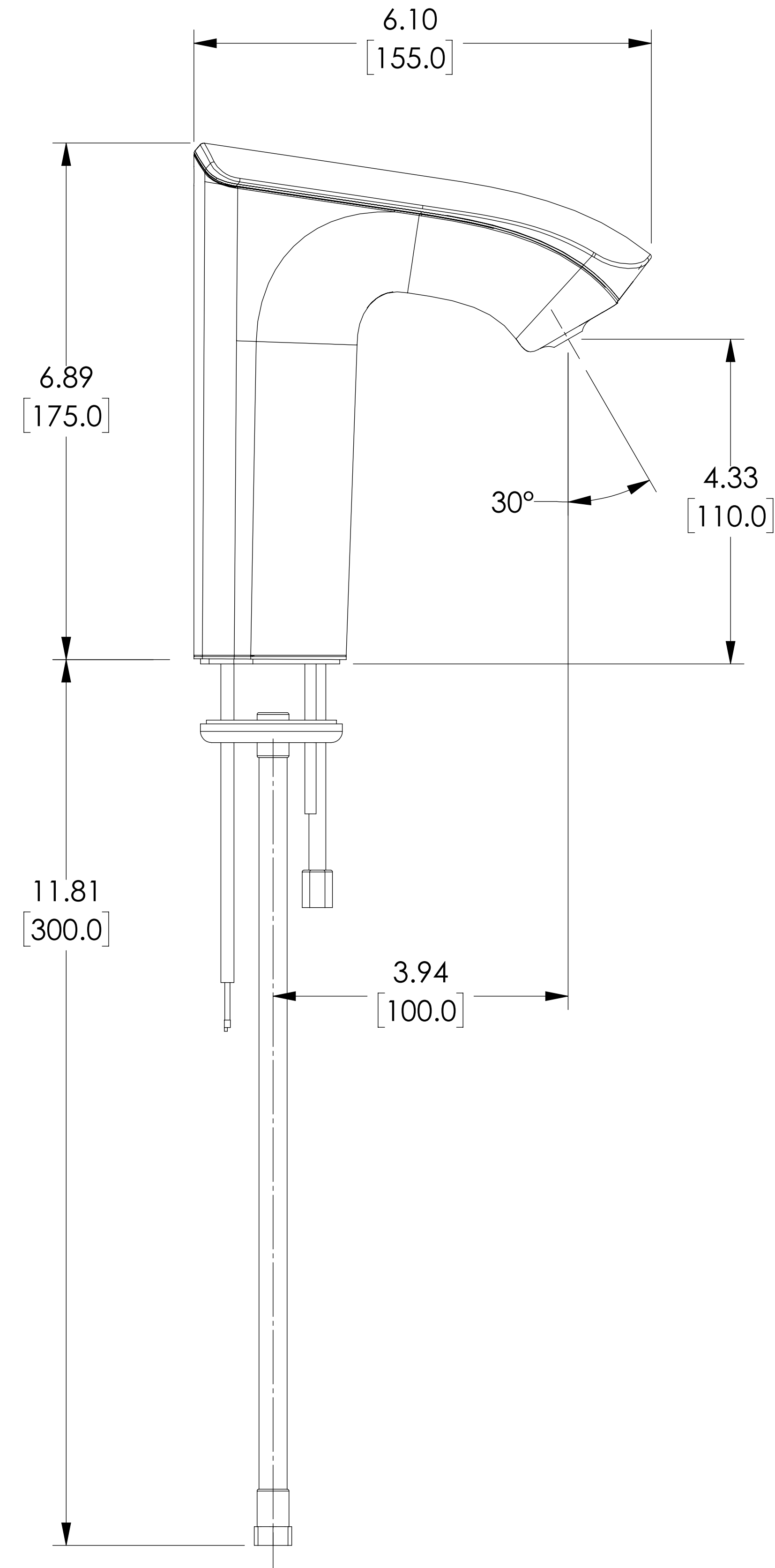


APPROVAL

BY: _____ DATE: _____

- APPROVED, PROCEED WITH FABRICATION
- APPROVED AS NOTED, PROCEED WITH FABRICATION IN ACCORDANCE WITH COMMENTS
- DISAPPROVED, DO NOT FABRICATE



NOTES:

1. ARMSTRONG PART NUMBER: D126260

				ARMSTRONG INTERNATIONAL Copyright © 2010 ARMSTRONG INTERNATIONAL, INC.																				
DO NOT SCALE DRAWING TOLERANCES UNLESS OTHERWISE SPECIFIED				FAUCET SINK DGTL THRMSTC W/ TEMP CTRL RADA MX1 20																				
DIMENSIONING ENGLISH [mm]																								
FRACTIONAL ± 1/64 ANGULAR: ± 2																								
<table border="1"> <thead> <tr> <th>DECIMAL</th> <th>IN.</th> <th>MM</th> </tr> </thead> <tbody> <tr> <td>.XXXX ±</td> <td>.0005</td> <td>-----</td> </tr> <tr> <td>.XXX ±</td> <td>.005</td> <td>.010</td> </tr> <tr> <td>.XX ±</td> <td>.015</td> <td>.10</td> </tr> <tr> <td>.X</td> <td>-----</td> <td>.3</td> </tr> </tbody> </table>		DECIMAL	IN.	MM	.XXXX ±	.0005	-----	.XXX ±	.005	.010	.XX ±	.015	.10	.X	-----	.3	<table border="1"> <thead> <tr> <th>NAME</th> <th>DATE</th> </tr> </thead> <tbody> <tr> <td>DURAI</td> <td>06/11/2020</td> </tr> </tbody> </table>		NAME	DATE	DURAI	06/11/2020	MATERIAL	
DECIMAL	IN.	MM																						
.XXXX ±	.0005	-----																						
.XXX ±	.005	.010																						
.XX ±	.015	.10																						
.X	-----	.3																						
NAME	DATE																							
DURAI	06/11/2020																							
RELEASED		CN71998		REV A DWG. SALES																				