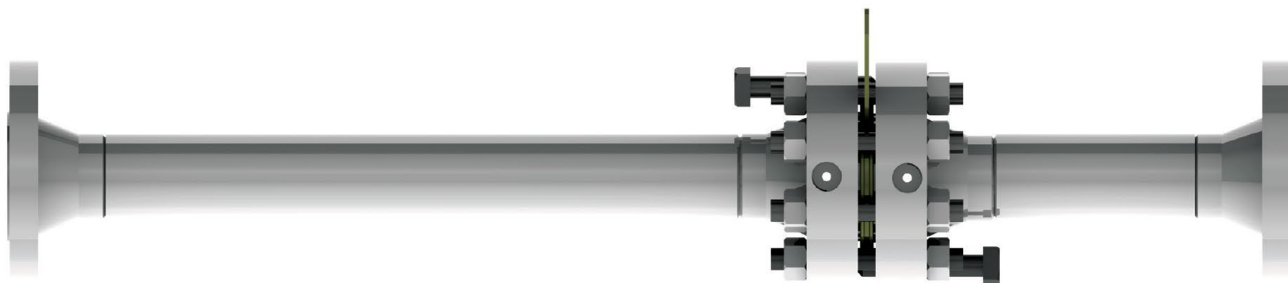


Orifice Flange Union Assembly and Orifice Run Installation and Operation Manual



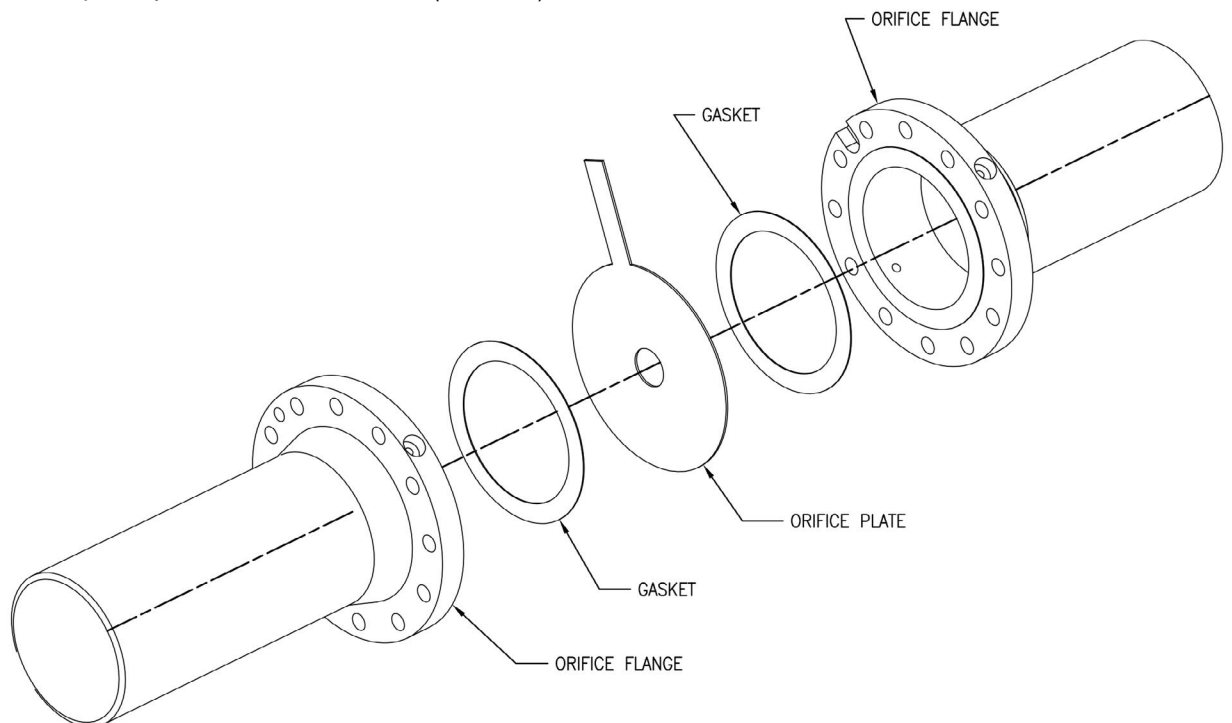
**Please read and save
these instructions.**

Installation Procedures

Orifice Flange Union Assembly

Installing Orifice Plate:

1. Remove all components from shipping container
2. Install studs in lower half of orifice flanges
3. Place orifice plate and gaskets between flanges
(“INLET” text faced upstream and if bore is beveled, bevel must face downstream.)
4. Orifice bore must be centered within 3% of inside pipe diameter
5. Install remaining studs around orifice flanges with one nut on each end
6. Inside diameter of gaskets must not protrude beyond inside surface of pipe
7. Orifice plate must be installed flat without distortion
8. Tighten flange bolts evenly to prevent plate buckling
9. Tighten all studs
10. On orifice flanges other than weld neck or corner tap, pressure tap holes must be drilled through the pipe. Holes must be free of burrs or other irregularities.
11. Gas flow taps and liquid taps should be horizontal (on sides)



DISASSEMBLY:

- 1.) LOOSEN ALL STUDS AND REMOVE THE TOP HALF OF THE STUDS
- 2.) REMOVE ORIFICE PLATE
- 3.) REMOVE REMAINING STUDS
- 4.) PLACE BACK IN SHIPPING CRATE

Installation Procedures - continued

Orifice Flange Union Assembly

Caution:

- This is a high quality flow metering assembly. If improperly installed, it must be reinstalled. If damaged, it must be replaced.
- For liquid flow and gas flow, assembly should be installed with nameplate on top (0 degrees). High pressure taps and low pressure taps should be horizontal (at 90 degrees and 180 degrees).
- Install assembly in pipeline so that the Flow Directional Arrow is orientated in the direction of fluid flow and "Inlet" stamped on the orifice plate faces towards inlet flange.
- Assembly should be handled from the outside only. Do not damage inside.
- Flanges must be parallel and properly aligned to prevent cracking.
- Center assembly carefully in pipe.
- Gaskets must be properly placed and centered on flange bolt circles. Gaskets must not protrude into the flow! Failure to install gaskets properly may adversely affect the accuracy of the meter.
- Do not use assembly as a pipe support. Support pipes on either side of assembly.
- Do not over torque bolts.
- Provide necessary clearances as deemed practical for installation, inspection and maintenance.
- See Orifice Flange Union Assembly drawing for more information.

Start-Up Procedures

Determine that the orifice flange union is properly installed. The orifice flange union is a piping component and should be handled accordingly with the same precautions. **DO NOT HANDLE ORIFICE FLANGE UNION ASSEMBLY FROM ITS INSIDE.**

Determine that the pressure connections are properly made and are appropriate for the intended service.

Determine that the orifice flange union assembly has been installed in strict conformance with the “Installation Directions” included in this manual.

Do not over-pressurize orifice flange union assembly. Refer to approval drawing for design pressure.

Do not subject orifice flange union assembly to shock pressures or water hammer.

When filling pipe line, bleed-off air in the proper fashion.

Determine that pressure piping to secondary instrumentation is installed correctly.

If the orifice flange union appears damaged in any way, contact Armstrong.

Shut-Down Procedures

If it is necessary to isolate the differential pressure signal from the secondary instrumentation, close the isolation valves (if provided) and disconnect impulse piping. If secondary instrumentation is to be disconnected for an extended period, use pipe plugs appropriate for the line pressure.

If the orifice flange union assembly is to be removed from the line for any reason, depressurize and drain the pipe line. Move assembly with slings or strapping appropriate for the weight and geometry of the assembly.

Preventive Maintenance

1. Check Flange and Pressure Tap Connections for Leaks	Annually	By Instrumentation Operator or Mechanical Personnel
2. Inspect Exterior Finish for Scrapes, Dings, or Blistering	Annually	By Instrumentation Operator or Mechanical Personnel

- No special tools or skills are necessary for preventive maintenance tasking.
- No preventive maintenance parts list applicable.

Corrective Maintenance

In case of loss-of-signal or erratic output, check taps and impulse piping to secondary instrumentation for blockage or debris. Check impulse piping for leaks, trapped condensation (in the case of compressible gas flow), or trapped air (in the case of liquid flow.) In case of blockage, purge lines with air or water (as is appropriate) pressurized to approximately 30 PSI above line pressure.

WARNING: IN NO CASE SHOULD FLUSHING PRESSURE EXCEED THE DESIGN PRESSURE OF THE PROCESS OR IMPULSE PIPING.

In case of trapped condensate or trapped air, remove by use of bleed valves or plugs, or through the manifold at the flow transmitter.

Stop leaks by tightening, resealing, or re-gasketing as necessary.

Touch-up exterior finish with the same or a compatible coating system as necessary.

There are no test points, adjustments, or user-serviceable parts in the orifice flange union, nor is there any assembly or disassembly. If problems persist, contact Armstrong.

- Corrective maintenance can be performed by mechanical or plant personnel.
- No special tools are required for corrective maintenance.

Spare Parts

The orifice flange union assemblies provided on this project were designed and manufactured specifically for this project. The orifice flange union assembly has no moving or parts.

There is no parts list and there is no recommended stocking level.

Safety

Prior to Start-Up:

- Determine that the orifice flange union assembly is properly installed. The orifice flange union assembly is a piping component and should be handled accordingly with the same precautions.
- DO NOT HANDLE ORIFICE FLANGE UNION ASSEMBLY FROM ITS INSIDE.
- Determine that the pressure connections are properly made and are appropriate for the intended service.
- Determine that the orifice flange union assembly has been installed in strict conformance with the “Installation Directions” included in this manual.
- If the flanges or plate appear damaged in any way, contact Armstrong.

At the Start-up and After Start-Up:

- Do not over-pressurize the orifice flange union assembly. Refer to approval drawing for design pressure.
- Do not subject orifice flange union assembly to shock pressures or water hammer.
- When filling pipe line, bleed-off air in the proper fashion.
- Conform to “Preventive Maintenance” procedures included in this manual.
- Proper venting and draining is required in pipeline.
- A pressure relieving device not exceeding 110% MAP should be installed and functional in pipeline.
- All operational loading is not covered by orifice flange union assembly manufacturer. This would be the responsibility of the owner/user unless noted at time of purchase order and included in approved submittal.

Storage Requirements

Orifice Flange Union Assembly

Indoor Storage:

- The orifice flange union assembly can be stored indefinitely indoors in a clean, non-corrosive environment. If environment is not clean, meters must be covered.
- Store orifice flanges and plate away from high traffic areas in order to minimize damage risk.
- Orifice flanges, orifice plates or assemblies must not be stacked.
- Orifice flanges may have bare iron or steel flange faces, or lightly primed flange faces as required by the specification. If flanges will be stored in humid or corrosive areas, the flange faces may need to be coated with a suitable rust preventative. Note that any coating or sealant may need to be removed prior to installation; refer to the specification and applicable standards or codes.
- Prolonged exposure to sunlight or other ultraviolet sources (fluorescent lights, etc.) may discolor, degloss, or chalk the exterior finish, if painted. Temperature and humidity fluctuations should be minimized.
- If storage is to be long-term, it is recommended that flanges and plates be covered with a tarp or heavy plastic sheeting. Temperature and humidity fluctuations must be minimized.

Outdoor Storage – Short Term (less than 3 months):

- Store away from high traffic areas in order to minimize damage risk.
- Flanges and plates, or assemblies must not be stacked.
- If flanges, plates or assemblies will be stored in humid or corrosive areas, the flange faces may need to be coated with a suitable rust preventative appropriate for outdoor exposure. Note that any coating or sealant may need to be removed prior to installation; refer to the specification and applicable standards or codes.
- The ends are capped to eliminate foreign matter from damaging the internal portions of the meter. These caps must not be removed until installation.
- The pressure sensing tap connections have pipe plugs to eliminate the possibility of clogging. These caps must not be removed until installation.
- If the exterior finish gets damaged, it must be touched-up with the same or a compatible coating system. Note that prolonged exposure to sunlight may discolor, de-gloss, or chalk exterior finish.
- It is recommended that the flanges and plate be covered with a tarp or heavy plastic sheeting.
- Assembly should not be stored outdoors for long term storage. See “Indoor Storage” for long term storage requirements.

Orifice Flange Union Assembly Transport:

- Depending on unit and order size, the orifice flanges are strapped or lagged onto pallets or custom skids.
- Using the skids, the meters can be moved by a forklift of adequate capacity. DO NOT DRIVE THE FORK THROUGH THE FLANGE CAPS OR INTO THE FLANGE INTERIOR.
- The flanges can be lifted by a crane or forklift in conjunction with an appropriate sling.
- Avoid scraping or scratching the coated surfaces. Touch-up coatings as needed.

VERIS, Inc.

Limited Warranty and Remedy

Veris, Inc. (“Veris”) warrants to the original user of those products supplied by it and used in the service and in the manner for which they are intended shall be free from defects in material and workmanship for a period of five (5) years from the date of installation, but not longer than 63 months from the date of shipment from the Veris factory, unless a Special Warranty Period applies, as noted below. This warranty does not extend to any product that has been subject to misuse, neglect or alteration after shipment from the Veris factory. Except as may be expressly provided in a written agreement between Veris and the user, which is signed by both parties, Veris **DOES NOT MAKE ANY OTHER REPRESENTATIONS OR WARRANTIES, EXPRESS OR IMPLIED, INCLUDING, BUT NOT LIMITED TO, ANY IMPLIED WARRANTY OF MERCHANTABILITY OR ANY IMPLIED WARRANTY OF FITNESS FOR A PARTICULAR PURPOSE.**

The sole and exclusive remedy with respect to the above limited warranty or with respect to any other claim relating to the products or to defects or any condition or use of the products supplied by Veris, however caused, and whether such claim is based upon warranty, contract, negligence, strict liability, or any other basis or theory, is limited to Veris’ repair or replacement of the part or product, or, at Veris’ option, to repayment of the purchase price. In addition to replacing any part of parts found to Veris’ satisfaction to be defective, Veris will pay the cost of shipment of both the defective part to the Veris plant and the replacement part to the original user. As a condition of enforcing any rights or remedies relating to Veris products, notice of any warranty or other claim relating to the products must be given in writing to Veris: (i) within 30 days of last day of the applicable warranty period, or (ii) within 30 days of the date of the manifestation of the condition or occurrence giving rise to the claim, whichever is earlier. **IN NO EVENT SHALL VERIS BE LIABLE FOR SPECIAL, DIRECT, INDIRECT, INCIDENTAL OR CONSEQUENTIAL DAMAGES, INCLUDING, BUT NOT LIMITED TO, LOSS OF USE OR PROFITS OR INTERRUPTION OF BUSINESS.** The Limited Warranty and Remedy terms herein apply notwithstanding any contrary terms in any purchase order or form submitted or issued by any user, purchaser, or third party and all such contrary terms shall be deemed rejected by Veris.

Special Warranty Periods are as follows:

Vortex Shedders, Venturi, Orifice Plates, Flow Nozzles and Wedge Meters: one (1) year from the date of installation, but not longer than 15 months from the date of shipment from the Veris factory.

Electromagnetic Flow and BTU Meters, Ultrasonic Flow and BTU Meters: 21 months from the date of installation, but not longer than 24 months from the date of shipment from the Veris Factory.

Electronic components, including without limitation, differential pressure transmitters, multivariable transmitters, flow computers, rate or totalizer displays: one (1) year from the date of installation, but not longer than 15 months from the date of shipment from the Veris factory.

Designs, materials, weights and performance ratings are approximate and subject to change without notice.
Visit armstronginternational.com for up-to-date information.



Armstrong International - VERIS Flow Measurement Group
5820 Glacier Way, Frederick, CO 80205 - USA Phone: 303-652-8550 Fax: 303-652-8552
armstronginternational.com