



# Model OB-2000 & GP-2000, K1, K3, K6

## Remote Mount Pilot

### Assembly Instructions

Bulletin No. AY-850

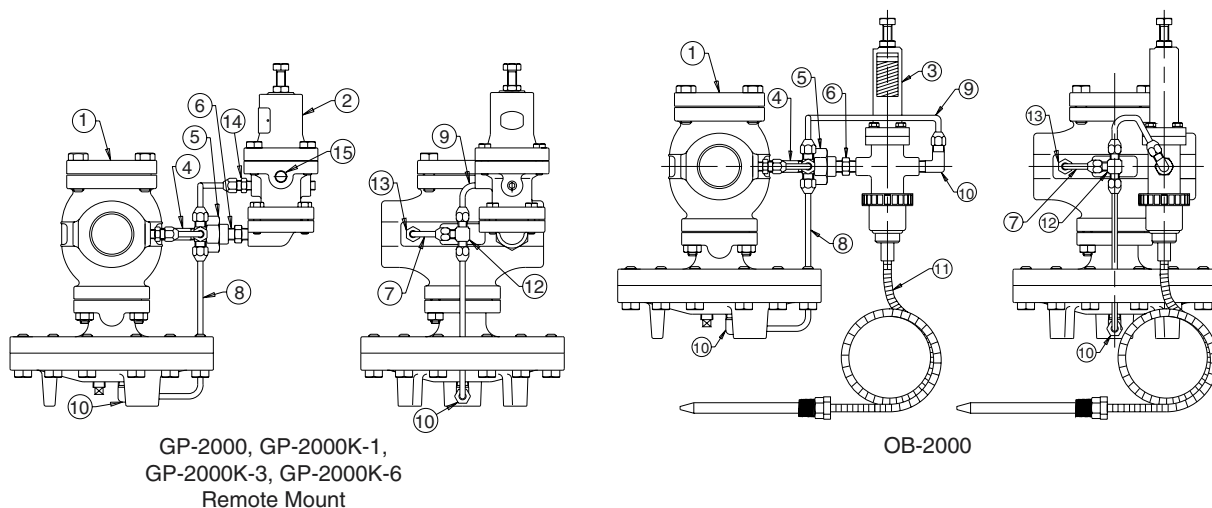
1. The valves have the following "similar" parts: 1/4" long nipple (4), 1/4" x 1/4" short nipple (6), fitting B (13) and union set (5). Use Teflon<sup>®</sup> tape on the threads of both nipples.
2. Remove the 1/4" plug on the inlet side of the main valve (1) (for the GP-2000 remote mount pilot and OB-2000 temperature pilot) with an allen wrench.
3. Thread the 1/4" long nipple (4) into the main valve (1) in place of the 1/4" plug.
4. Thread one-half of the union set (5) onto the long nipple (4). Thread the other half onto the short nipple (6).
5. Thread the short nipple (6) into the pilot (2) or (3). **Note:** The arrow on the side of the temperature pilot (3) must point away from the main valve. The short nipple (6) will thread into the bottom cap of the pressure pilot (2) (remote mount).
6. Assemble the C-tube (8), B-tube (7) and tee (12) as shown in the diagrams on the bottom of this page. Connect the union set (5) and tighten. **Very important:** Be sure that the groove on the Tee (12) is on the top.

### Model OB-2000

7. Thread the elbow (10) into the outlet of the temperature pilot (3) and into the bottom of the main valve as shown in drawings.
8. Place the D-tube (9) into the elbow (10) and the Tee (12) and tighten.

### Model GP-2000 Remote Mounted Pilot

9. Place fitting A (14) into the pilot and thread into place. Note: This fitting is open (5 mm) with no restricted opening. Use thread tape on threads.
10. Once the union set (5) has been tightened, fitting A (14) of the pressure pilot (2) should be facing the main valve (1). See remote mount drawing.
11. Connect the D-tube (9) to the outlet of the pressure pilot at fitting A (14) and to the top of the Tee (12) and tighten. **Note:** Make sure the downstream sensing port (15) on the pilot faces downstream.



- |                      |                             |                             |
|----------------------|-----------------------------|-----------------------------|
| 1. Main Valve Body   | 6. 1/4" x 1/4" Short Nipple | 11. Capillary               |
| 2. Pressure Pilot    | 7. B-Tube                   | 12. Tee                     |
| 3. Temperature Pilot | 8. C-Tube                   | 13. Fitting B               |
| 4. 1/4" Long Nipple  | 9. D-Tube                   | 14. Fitting A               |
| 5. Union Seat        | 10. Elbow                   | 15. Downstream Sensing Port |