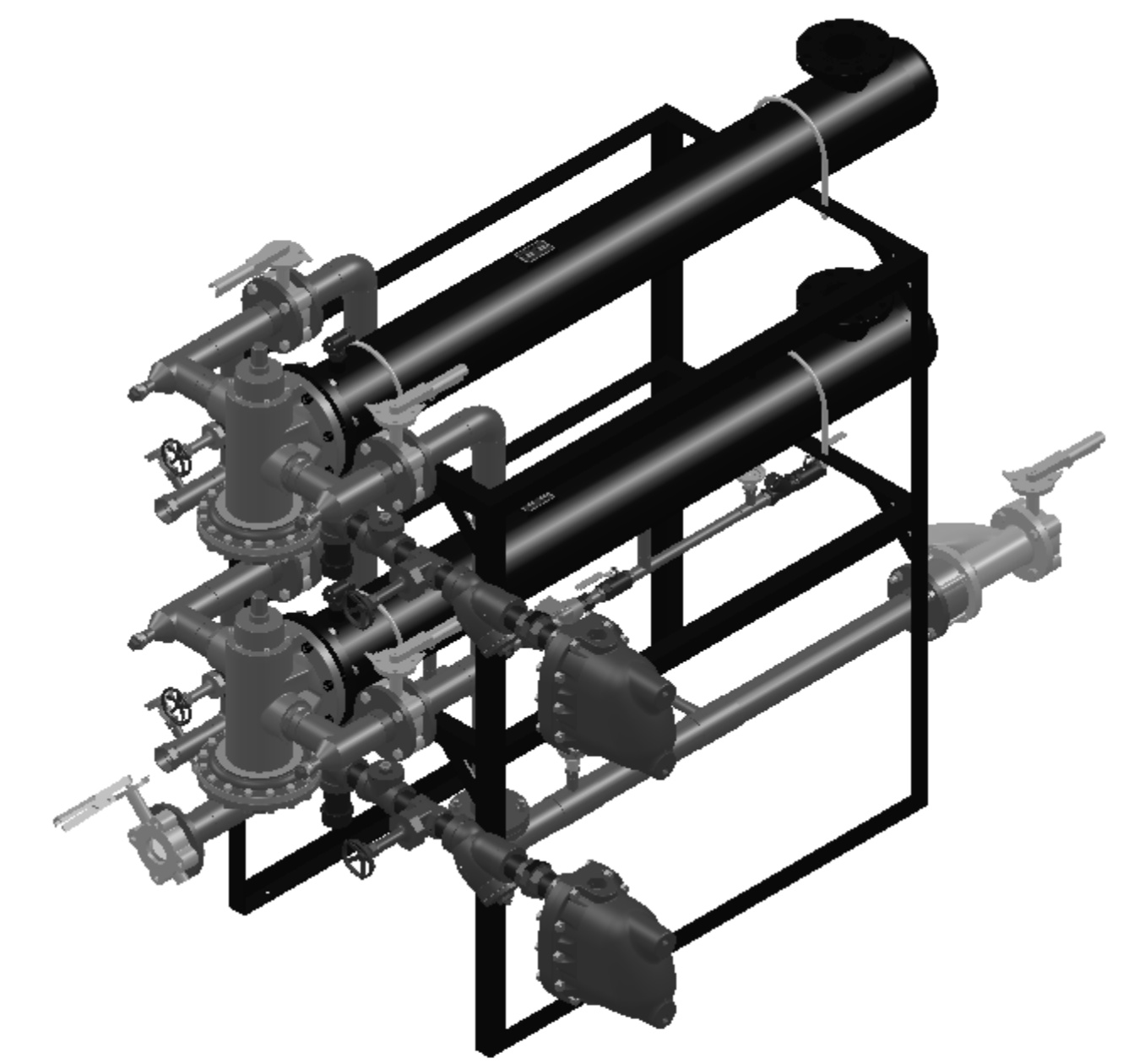


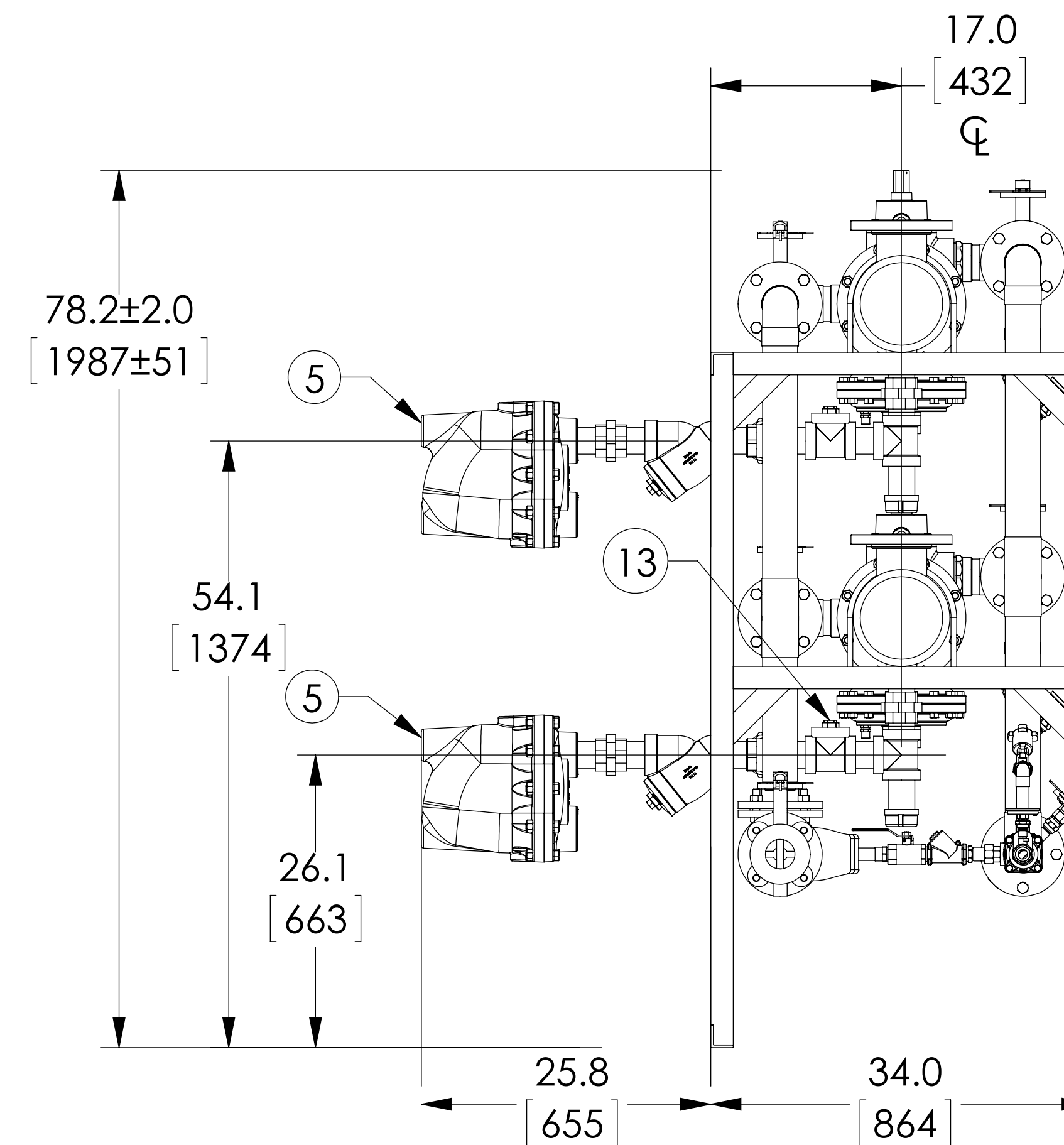
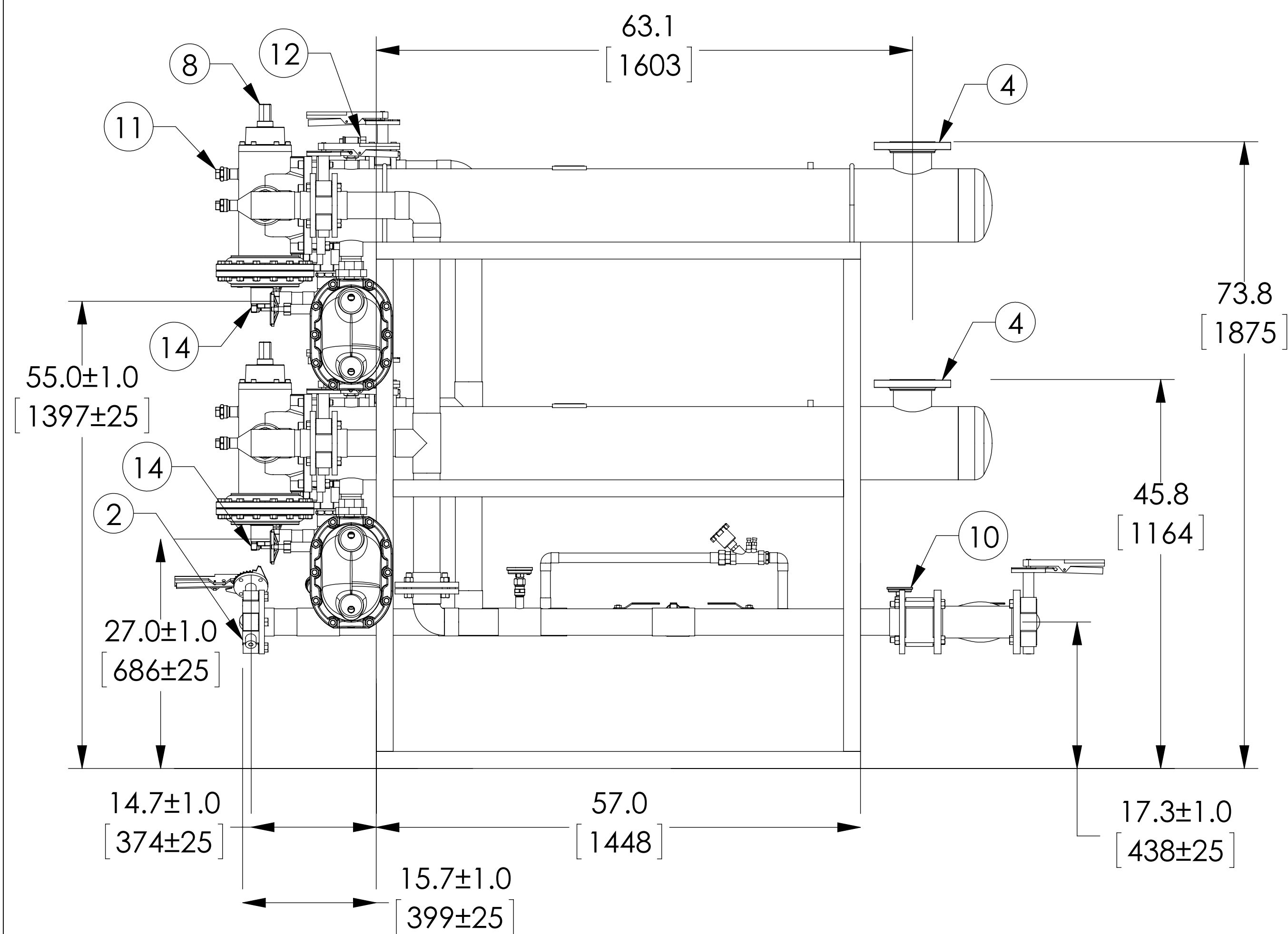
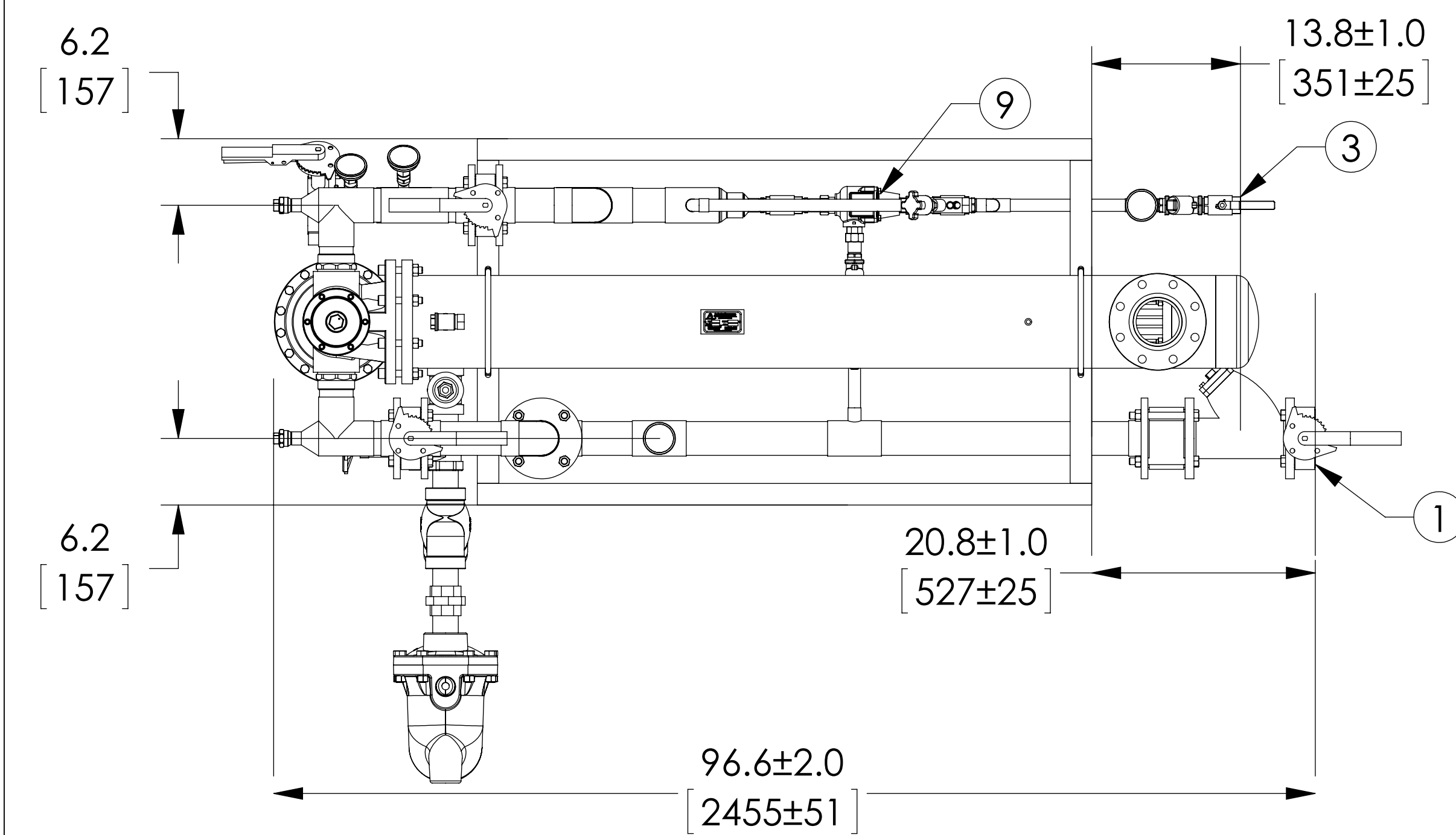
# APPROVAL

BY: \_\_\_\_\_ DATE: \_\_\_\_\_

- APPROVED, PROCEED WITH FABRICATION
- APPROVED AS NOTED, PROCEED WITH FABRICATION IN ACCORDANCE WITH COMMENTS
- DISAPPROVED, DO NOT FABRICATE



FLO-RITE-TEMP STEAM/WATER HEAT EXCHANGER SINGLE WALL



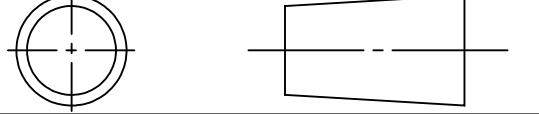
PROJECT NAME :

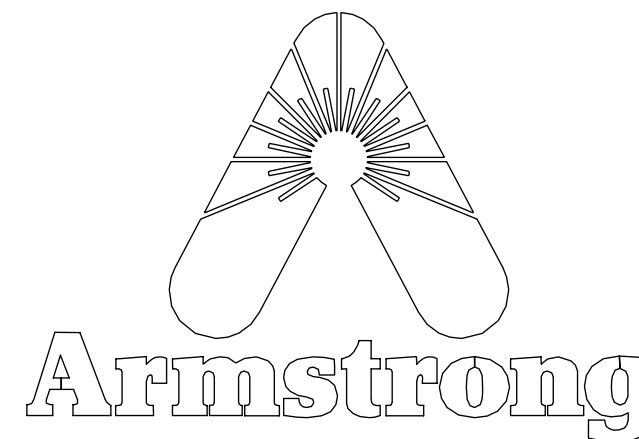
TAG :

ITEM	DESCRIPTION	CONNECTION
1	COLD WATER INLET	3" FLG ANSI 150
2	HOT WATER OUTLET	3" FLG ANSI 150
3	RECIRC WATER INLET	1" NPT
4	STEAM INLET	4" FLG ANSI 150
5	CONDENSATE OUTLET	2" NPT 20-JD8 F&T
6	N/A	N/A
7	N/A	N/A
8	CONTROL VALVE LT	3" NPT
9	FLUID POWER VALVE	1" NPT
10	THERMOMETER (5)	
11	CIP CONNECTION (4)	1" NPT
12	AIR VENT (2)	3/4" NPT
13	VACUUM BREAKER (2)	1/2" NPT
14	BYPASS TO DRAIN (2)	2" NPT
ITEM	MATERIAL	
	PIPING	COPPER TYPE "L"
	EXCHANGER SHELL MATL.	CARBON STEEL
	EXCHANGER TUBE MATL.	LEAD FREE BRASS
	SET POINT	100°F

NOTE(S):

1. ARMSTRONG PART NUMBER : D611738
2. ALL DIMENSIONS +/- 0.5[13] UNLESS OTHERWISE SHOWN.
3. COMPLETE ASSEMBLY LEAD FREE COMPLIANT - THE WETTED SURFACE OF THIS PRODUCT CONTACTED BY CONSUMABLE WATER CONTAINS LESS THAN ONE QUARTER OF ONE PERCENT (0.25%) OF LEAD BY WEIGHT.
4. N/A.

 DO NOT SCALE DRAWING TOLERANCES UNLESS OTHERWISE SPECIFIED DIMENSIONING ENGLISH [mm]																	
FRACTIONAL ± 1/64 ANGULAR: ± 2																	
DECIMAL	<table border="0"> <tr> <td>.XXXX</td> <td>±</td> <td>.0005</td> <td>----</td> </tr> <tr> <td>.XXX</td> <td>±</td> <td>.005</td> <td>.010</td> </tr> <tr> <td>.XX</td> <td>±</td> <td>.015</td> <td>.10</td> </tr> <tr> <td>.X</td> <td>±</td> <td>-----</td> <td>.3</td> </tr> </table>	.XXXX	±	.0005	----	.XXX	±	.005	.010	.XX	±	.015	.10	.X	±	-----	.3
.XXXX	±	.0005	----														
.XXX	±	.005	.010														
.XX	±	.015	.10														
.X	±	-----	.3														

 Armstrong®	
NAME	DATE
DRAWN	CFG 7/17/2014
RELEASED	SALES

ARMSTRONG INTERNATIONAL Copyright © 2010 ARMSTRONG INTERNATIONAL, INC.	
FRT8120PR100F 3 FLG 3 FLG 1 NPT CPR	
CONFIG# (C-147837)	
MATERIAL	SHEET 1 OF 1
REV A	DWG. SALES