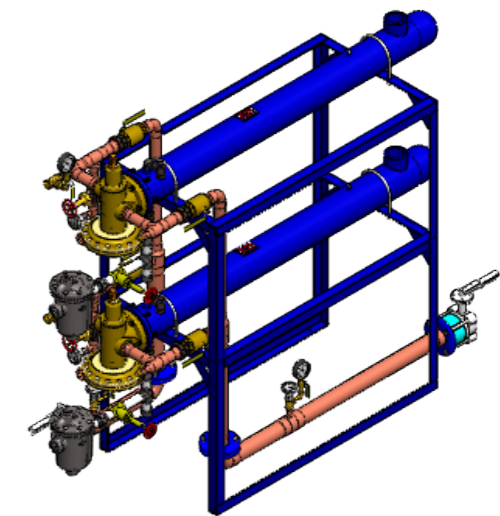
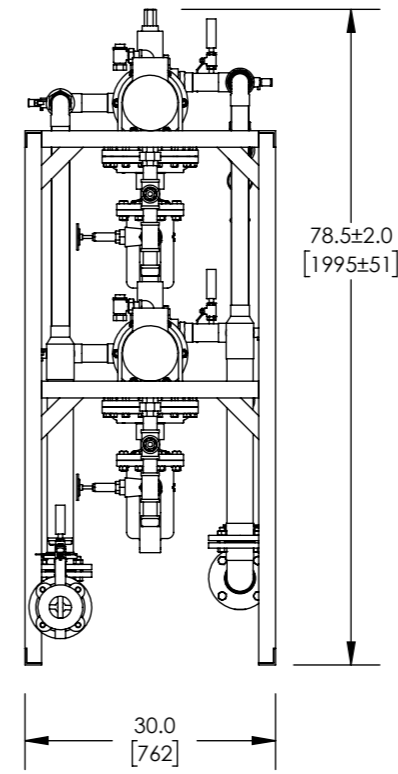
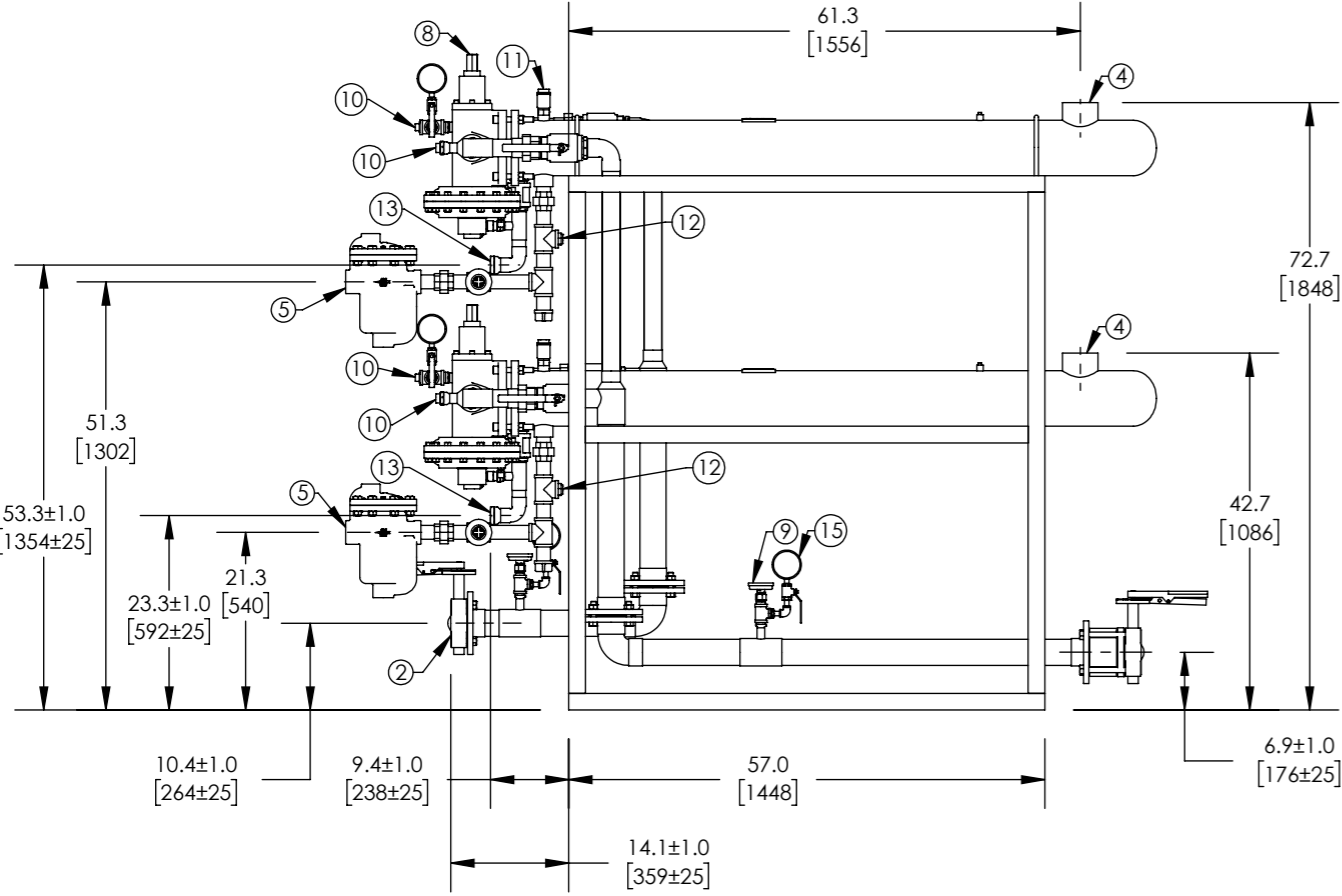


# APPROVAL

- BY: \_\_\_\_\_ DATE: \_\_\_\_\_
- APPROVED, PROCEED WITH FABRICATION
  - APPROVED AS NOTED, PROCEED WITH FABRICATION IN ACCORDANCE WITH COMMENTS
  - DISAPPROVED, DO NOT FABRICATE



## FLO-RITE-TEMP



ITEM	DESCRIPTION	CONNECTION
1	COLD WATER INLET	3" FLG ANSI 150
2	HOT WATER OUTLET	3" FLG ANSI 150
3	RECIRC WATER INLET	N/A
4	STEAM INLET (2)	3" NPT
5	CONDENSATE OUTLET (2)	1-1/4" NPT 814IB
6	ELECTRICAL PANEL	N/A
7	DRV50	N/A
8	CONTROL VALVE (2)	2" NPT
9	THERMOMETER (4)	1/2" NPT
10	CIP CONNECTION (4)	1" NPT
11	AIR VENT (2)	3/4" NPT
12	VACUUM BREAKER (2)	1/2" NPT
13	BYPASS TO DRAIN (2)	1-1/2" NPT
14	BLOW DOWN	N/A
15	PRESSURE GAUGE (4)	1/4" NPT

ITEM	MATERIAL
PIPING	COPPER TYPE "L"
EXCHANGER SHELL MATL.	CARBON STEEL
EXCHANGER TUBE MATL.	ADMIRALTY BRASS

- NOTE(S):
- ALL DIMENSIONS +/-0.5 [13] UNLESS OTHERWISE SHOWN.
  - COMPLETE ASSEMBLY LEAD FREE COMPLIANT - THE WETTED SURFACE OF THIS PRODUCT CONTACTED BY CONSUMABLE WATER CONTAINS LESS THAN ONE QUARTER OF ONE PERCENT (0.25%) OF LEAD BY WEIGHT.
  - PACKAGE INCLUDES ALL REQUIRED INLET CHECK VALVES, ISOLATION VALVES, AND STRAINERS ON DOMESTIC SIDE.

DO NOT SCALE DRAWING  
 TOLERANCES UNLESS OTHERWISE SPECIFIED  
 DIMENSIONING ENGLISH [mm]  
 FRACTIONAL ± 1/64  
 ANGULAR: ± 2

DECIMAL	.XXXX ±	.0005	IN.	MM
	.XXX ±	.005	.010	
	.XX ±	.015	.10	
	.X	-----	.3	

NAME	DATE
CFG	5/18/2015

DRAWN: CFG  
 RELEASED: \_\_\_\_\_

**ARMSTRONG INTERNATIONAL**  
 Copyright © 2010 ARMSTRONG INTERNATIONAL, INC.

FRT665P

MATERIAL	CWF55983	REV C	SALES
----------	----------	-------	-------

SHEET 1 OF 1