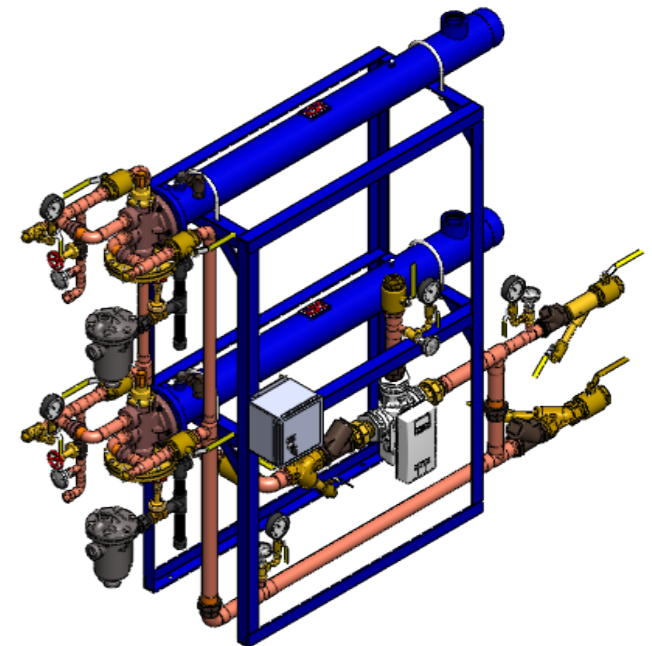
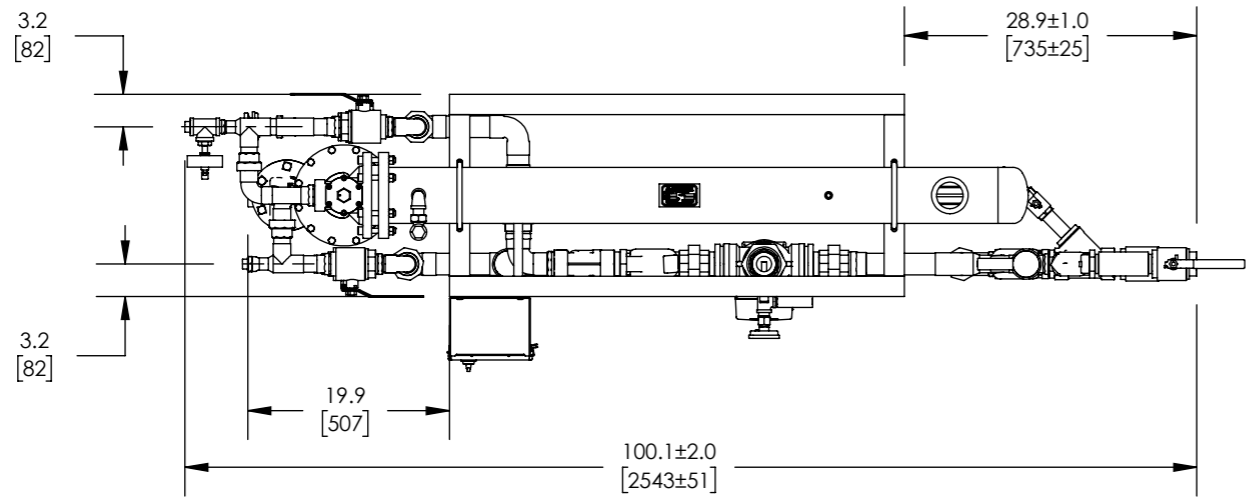
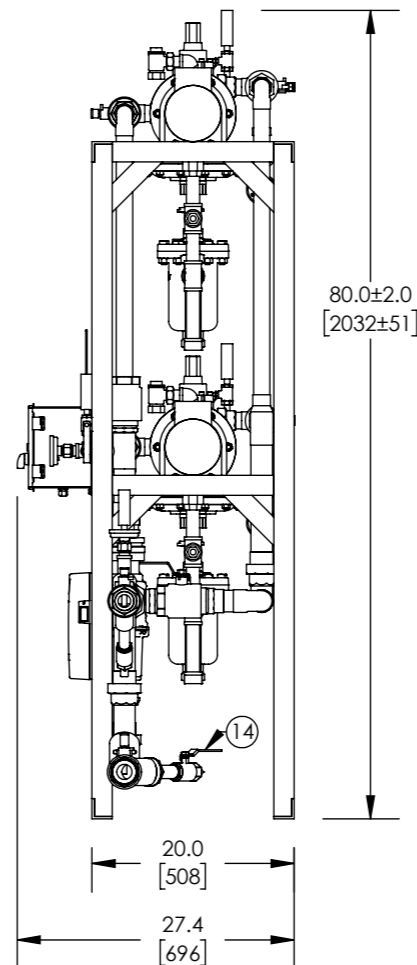
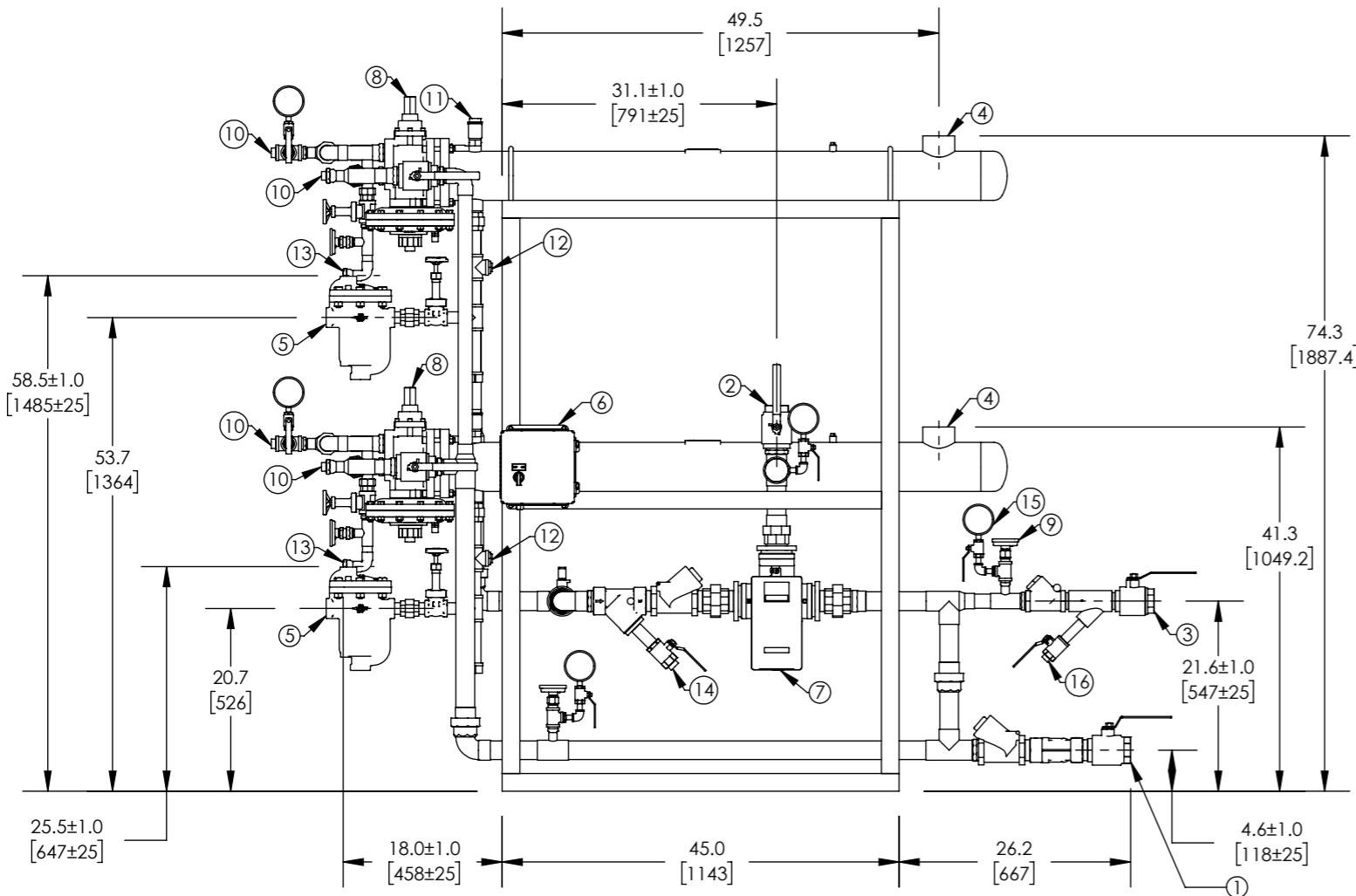


APPROVAL

BY: _____ DATE: _____
 APPROVED, PROCEED WITH FABRICATION
 APPROVED AS NOTED, PROCEED WITH FABRICATION IN ACCORDANCE WITH COMMENTS
 DISAPPROVED, DO NOT FABRICATE



FLO-RITE-TEMP



ITEM	DESCRIPTION	CONNECTION
1	COLD WATER INLET	2" NPT
2	MIXED WATER OUTLET	2" NPT
3	RECIRC WATER INLET	1-1/2" NPT
4	STEAM INLET (2)	2-1/2" NPT
5	CONDENSATE OUTLET (2)	1" NPT 8131B
6	ELECTRICAL PANEL	110 VAC @0.7A
7	DRV50	2" NPT
8	CONTROL VALVE (2)	1-1/2" NPT
9	THERMOMETER (5)	1/2" NPT
10	CIP CONNECTION (4)	1" NPT
11	AIR VENT (2)	3/4" NPT
12	VACUUM BREAKER (2)	1/2" NPT
13	BYPASS TO DRAIN (2)	1" NPT
14	BLOW DOWN (2)	1" NPT
15	PRESSURE GAUGE (5)	1/4" NPT
16	BLOWDOWN	3/4" NPT


ITEM	MATERIAL
PIPING	COPPER TYPE "L"
EXCHANGER SHELL MATL.	CARBON STEEL
EXCHANGER TUBE MATL.	ADMIRALTY BRASS

NOTE(S):
 1. ALL DIMENSIONS +/-0.5 [13] UNLESS OTHERWISE SHOWN.
 2. COMPLETE ASSEMBLY LEAD FREE COMPLIANT - THE WETTED SURFACE OF THIS PRODUCT CONTACTED BY CONSUMABLE WATER CONTAINS LESS THAN ONE QUARTER OF ONE PERCENT (0.25%) OF LEAD BY WEIGHT.
 3. PACKAGE INCLUDES ALL REQUIRED INLET CHECK VALVES, ISOLATION VALVES, AND STRAINERS ON DOMESTIC SIDE.
 4. DRV AND ELECTRICAL PANEL ARE PREWIRED TO PROVIDE A SINGLE ELECTRICAL LANDING POINT AT THE PANEL.

DO NOT SCALE DRAWING
 TOLERANCES UNLESS OTHERWISE SPECIFIED
 DIMENSIONING ENGLISH [mm]
 FRACTIONAL ± 1/64
 ANGULAR: ± 2

DECIMAL	.XXXX ±	.0005	IN.	MM
	.XXX ±	.005		.010
	.XX ±	.015		.10
	.X	-----		.3

ARMSTRONG INTERNATIONAL
 Copyright © 2010 ARMSTRONG INTERNATIONAL, INC.
FRT535P50



NAME	DATE
CFG	5/18/2015

ITEM	DATE	REV	SALES
MATERIAL		C	
CWF55983			

SHEET 1 OF 1