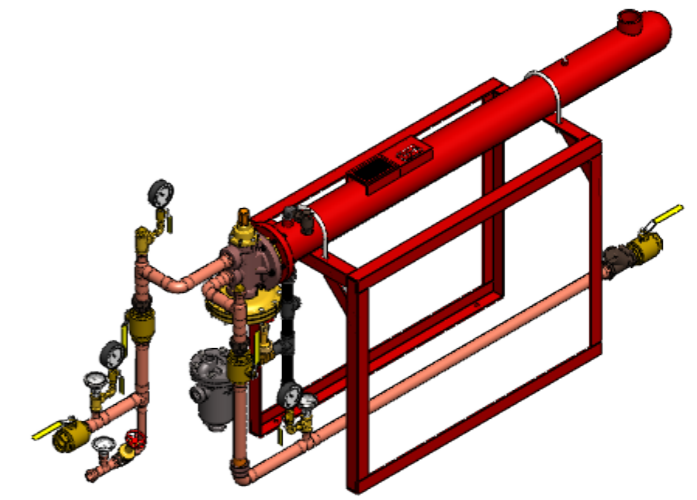


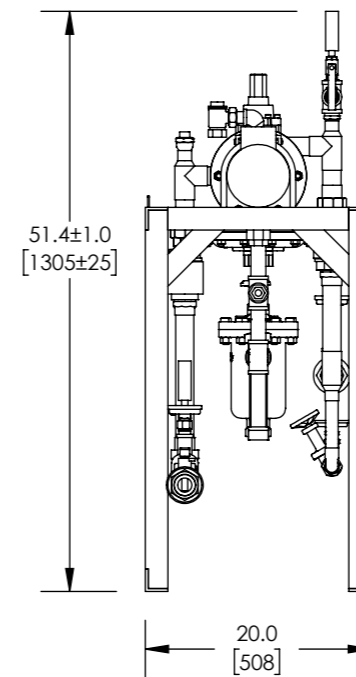
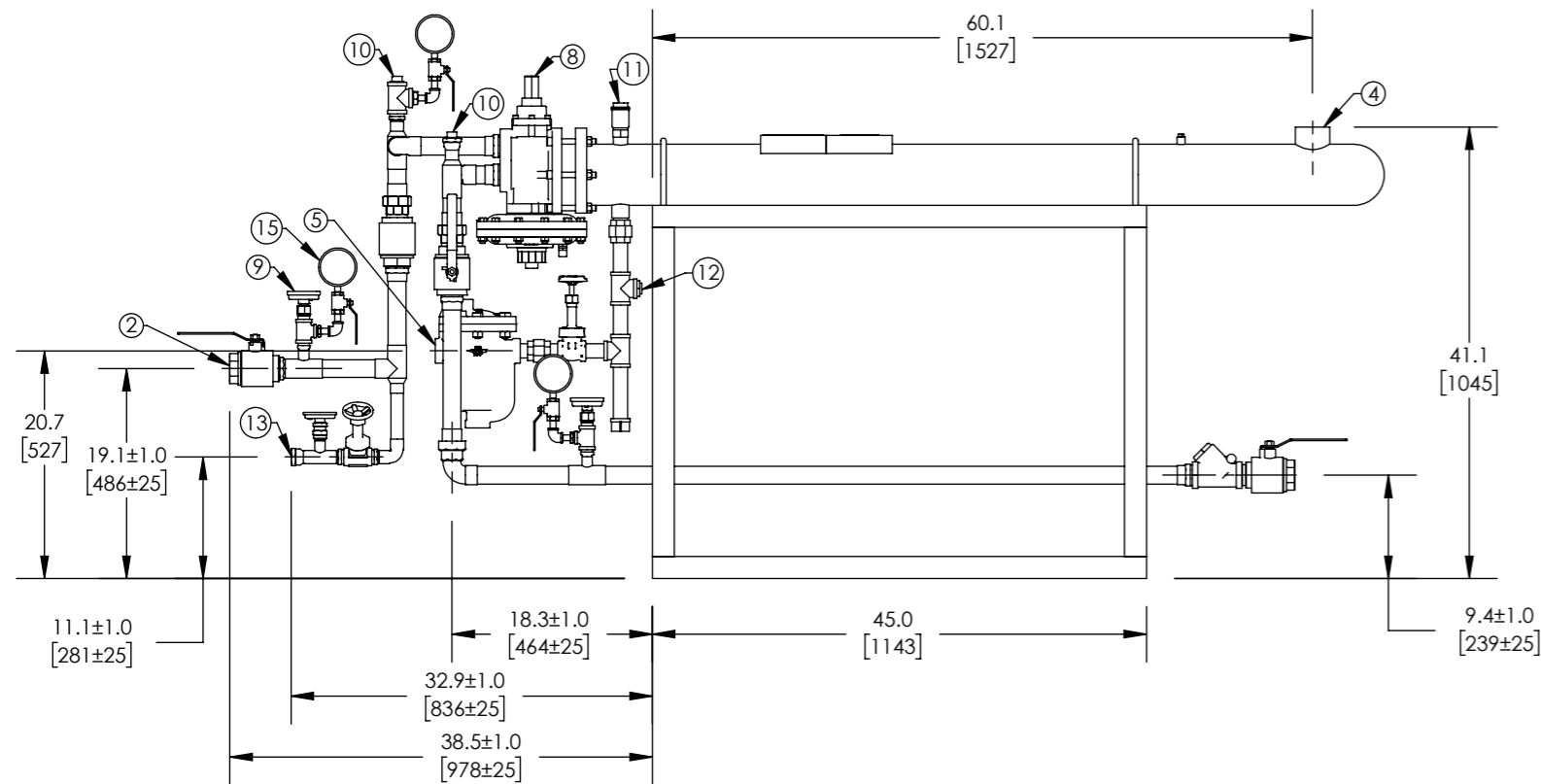
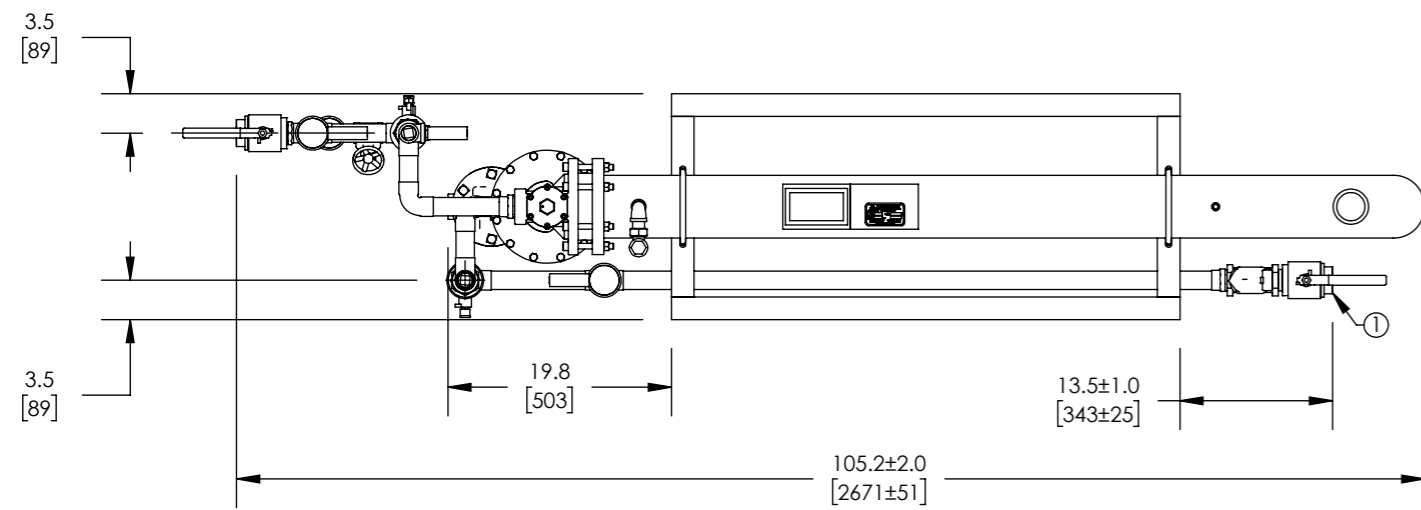
# APPROVAL

- BY: \_\_\_\_\_ DATE: \_\_\_\_\_
- APPROVED, PROCEED WITH FABRICATION
- APPROVED AS NOTED, PROCEED WITH FABRICATION IN ACCORDANCE WITH COMMENTS
- DISAPPROVED, DO NOT FABRICATE



## FLO-RITE-TEMP

ITEM	DESCRIPTION	CONNECTION
1	COLD WATER INLET	1-1/2" NPT
2	HOT WATER OUTLET	1-1/2" NPT
3	RECIRC WATER INLET	N/A
4	STEAM INLET	2-1/2" NPT
5	CONDENSATE OUTLET	1" NPT 8131B
6	ELECTRICAL PANEL	N/A
7	DRV40	N/A
8	CONTROL VALVE	1-1/2" NPT
9	THERMOMETER(3)	1/2" NPT
10	CIP CONNECTION(2)	1" NPT
11	AIR VENT	3/4" NPT
12	VACUUM BREAKER	1/2" NPT
13	BYPASS TO DRAIN	1" NPT
14	BLOW DOWN	N/A
15	PRESSURE GAUGE (3)	1/4" NPT
ITEM	MATERIAL	
PIPING	COPPER TYPE "L"	
EXCHANGER SHELL MATL.	CARBON STEEL	
EXCHANGER TUBE MATL.	COPPER	



NOTE(S):

- ALL DIMENSIONS +/-0.5 [13] UNLESS OTHERWISE SHOWN.
- COMPLETE ASSEMBLY LEAD FREE COMPLIANT - THE WETTED SURFACE OF THIS PRODUCT CONTACTED BY CONSUMABLE WATER CONTAINS LESS THAN ONE QUARTER OF ONE PERCENT (0.25%) OF LEAD BY WEIGHT.
- PACKAGE INCLUDES ALL REQUIRED INLET CHECK VALVES, ISOLATION VALVES, AND STRAINERS ON DOMESTIC SIDE.

<p>DO NOT SCALE DRAWING TOLERANCES UNLESS OTHERWISE SPECIFIED DIMENSIONING ENGLISH [mm]</p>			<b>ARMSTRONG INTERNATIONAL</b> Copyright © 2010 ARMSTRONG INTERNATIONAL, INC.		
			<b>FRT535DW</b>		
	FRACTIONAL ± 1/64 ANGULAR: ± 2				
DECIMAL .XXXX ± .0005 .XXX ± .005 .010 .XX ± .015 .10 .X ± .3	NAME CFG	DATE 5/18/2015	MATERIAL CWF55983	REV C	SALES
	DRAWN RELEASED		SHEET 1 OF 1		