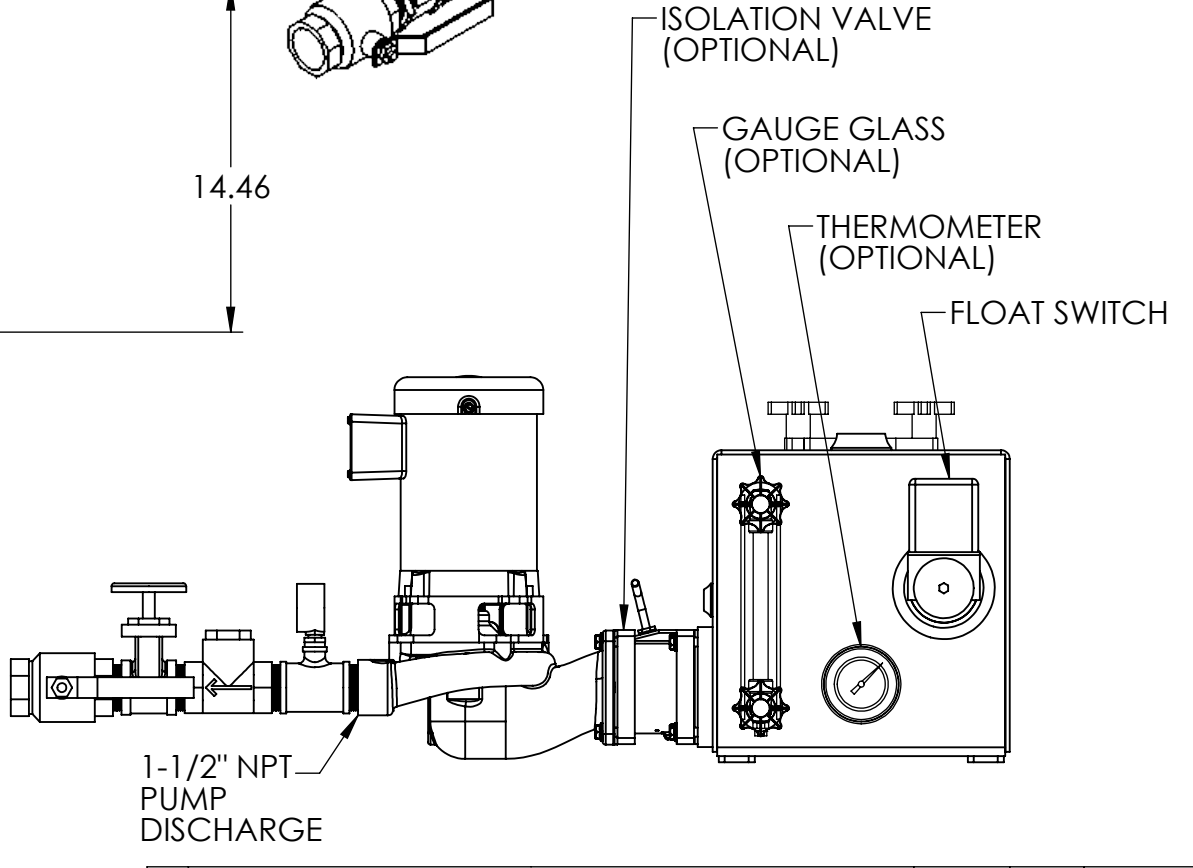
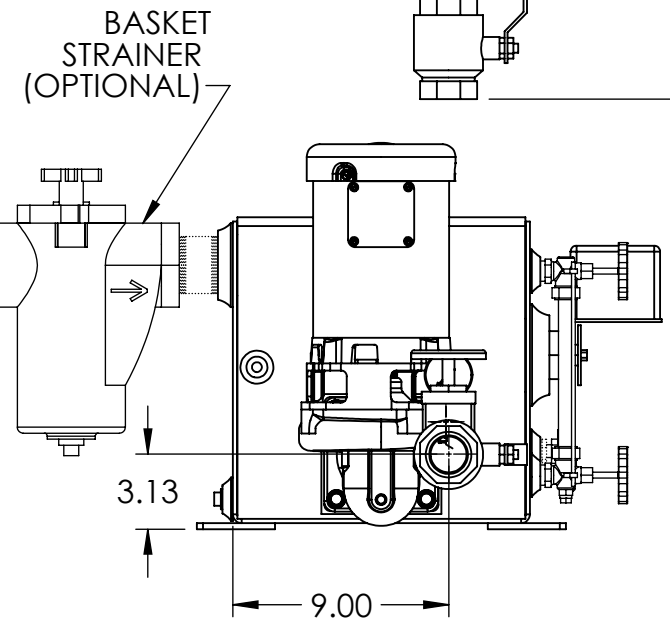
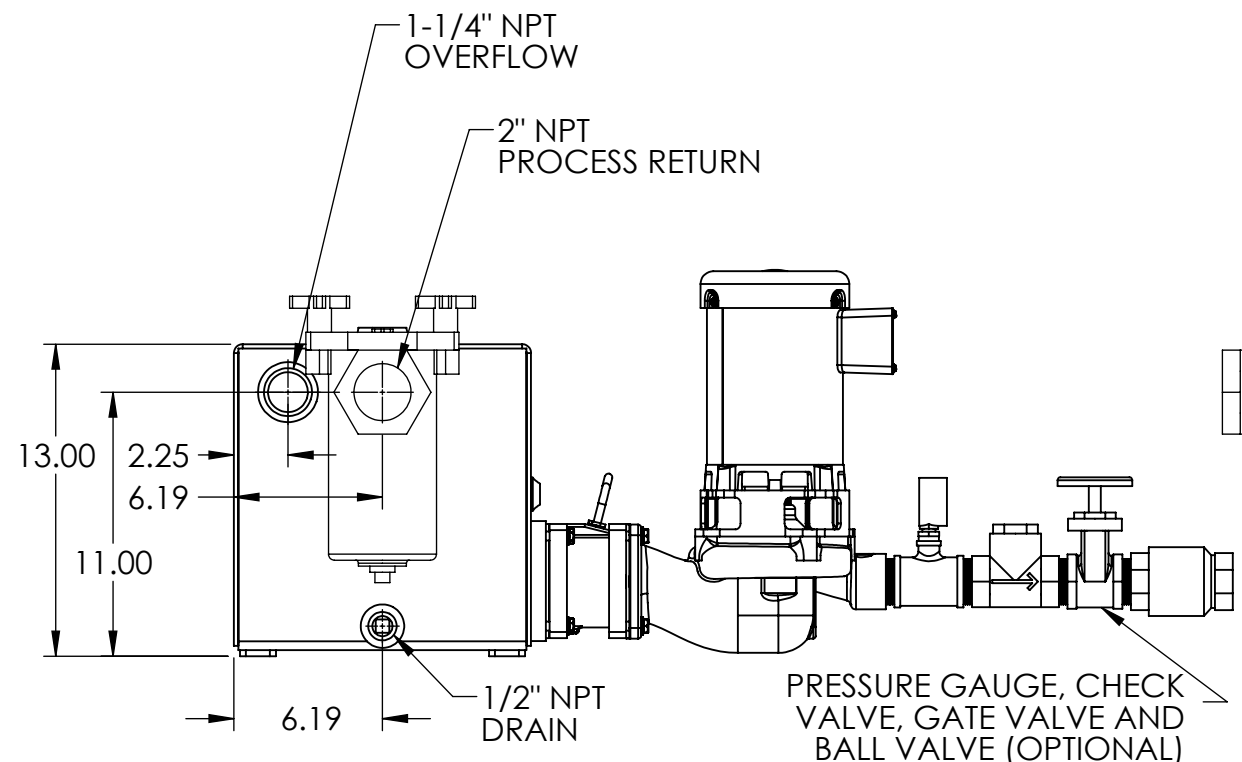
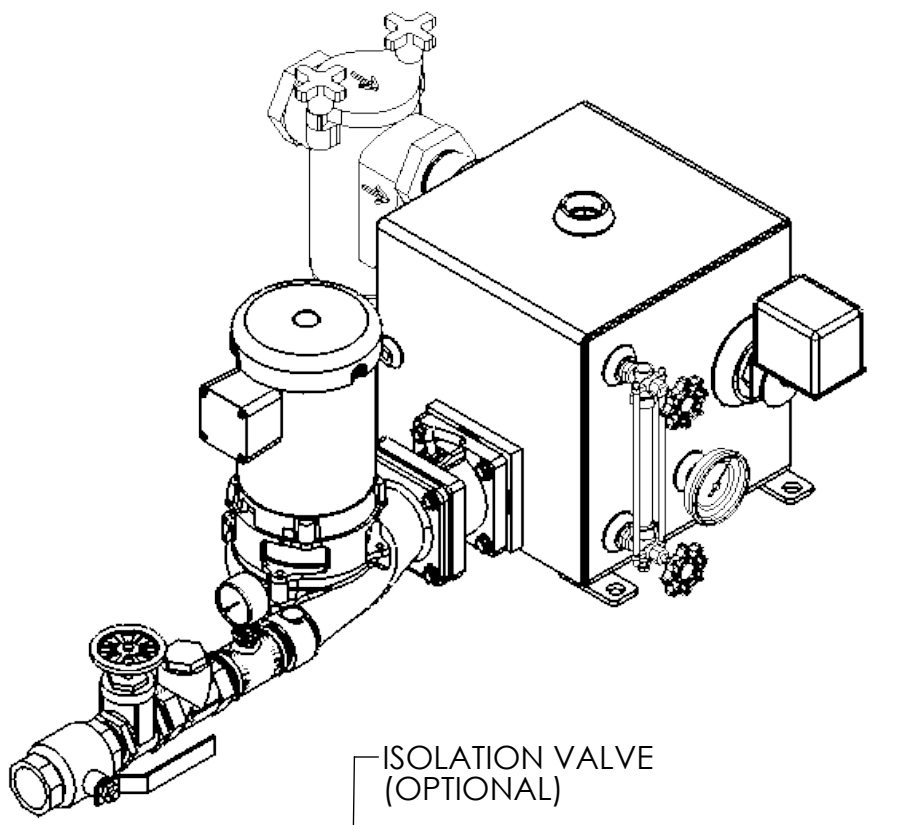
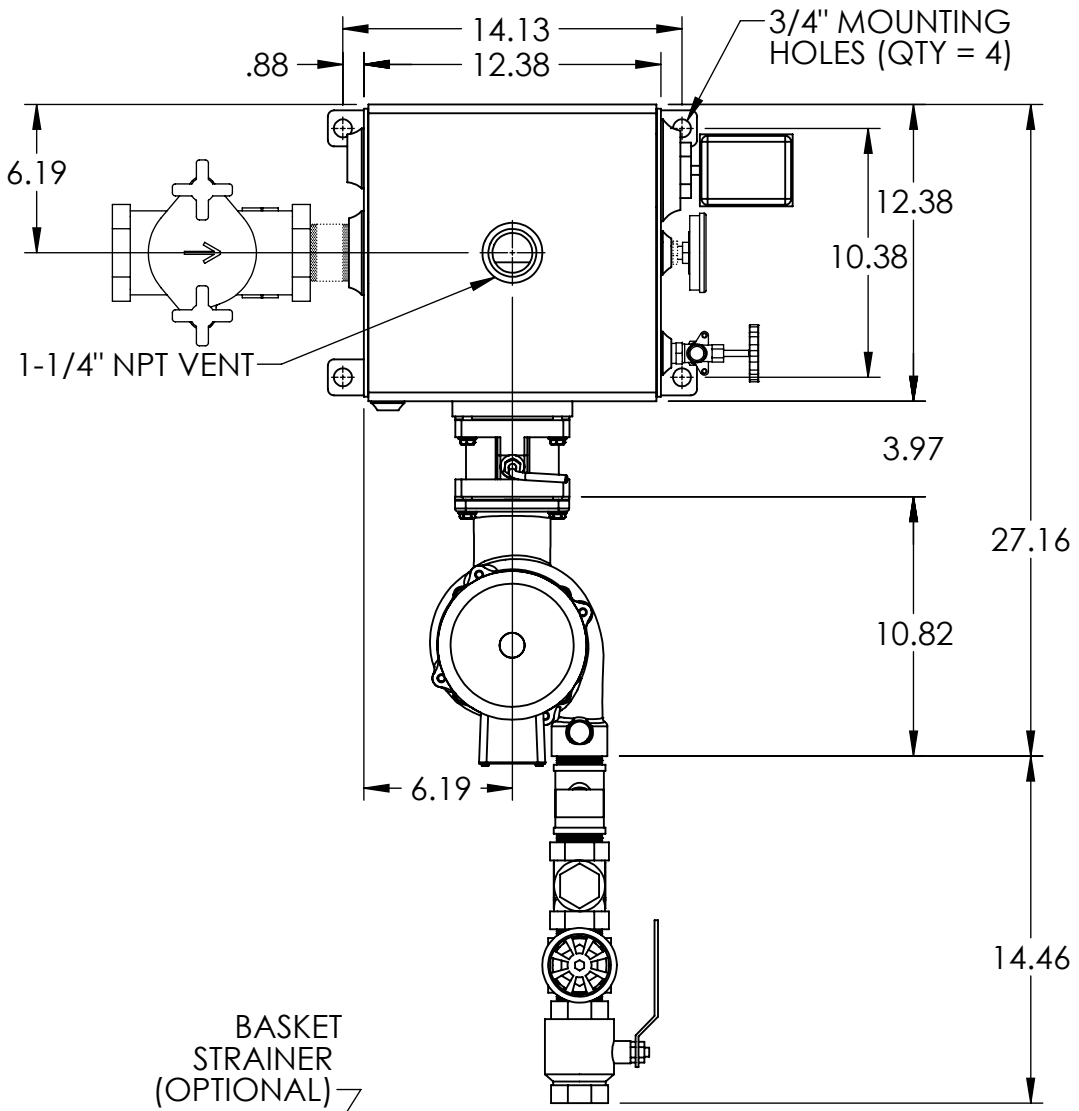


REMOTE MOUNTED NEMA 12 CONTROL PANEL (OPTIONAL)



- NOTES:**
- TANK MATERIAL: STAINLESS STEEL
 - ALL DIMENSIONS ARE ±0.25"
 - DRAWING NOT FOR CONSTRUCTION
 - CONSULT FACTORY AT TIME OF ORDER FOR CURRENT PRINT

- CONTROL PANEL OPTIONS ALSO AVAILABLE (NOT SHOWN):**
- NEMA 4 CONSTRUCTION
 - POWER ON LIGHT
 - PUMP TEST BUTTON
 - PUMP RUN TIME METER
 - EXTRA DRY CONTACTS
 - UL/CUL LABELED PANEL
 - HIGH LEVEL ALARM HORN & LIGHT W/SILENCE SWITCH

REV	DESCRIPTION	ECN	NAME	DATE
A	INITIAL DESIGN		GJM	10/17/2017

PART NO:	Ref PartNo	NAME	DATE	 TITLE 8 GALLON SIMPLEX 4800 SERIES "K" CONDENSATE PUMP
FABRICATION TOLERANCES UNLESS OTHERWISE SPECIFIED: DIMENSIONS ARE IN INCHES	DRAWN	GJM	10/17/2017	
TOLERANCES: ANGULAR DIMENSIONS ±1° FRACTIONS ±1/32	CHECKED			
TWO PLACE DECIMAL ±0.06 THREE PLACE DECIMAL ±0.030	ENG APPR.			
PRODUCT FAMILY		HTSP Boiler and Condensate		
PRODUCT CATEGORY		4100		
SHEET: 1 OF 1	WEIGHT	DRAWING MAY NOT BE PRINTED TO SCALE.		DWG NO.
	639.73	SCALE: 1:8		684.48008.00
				REV A