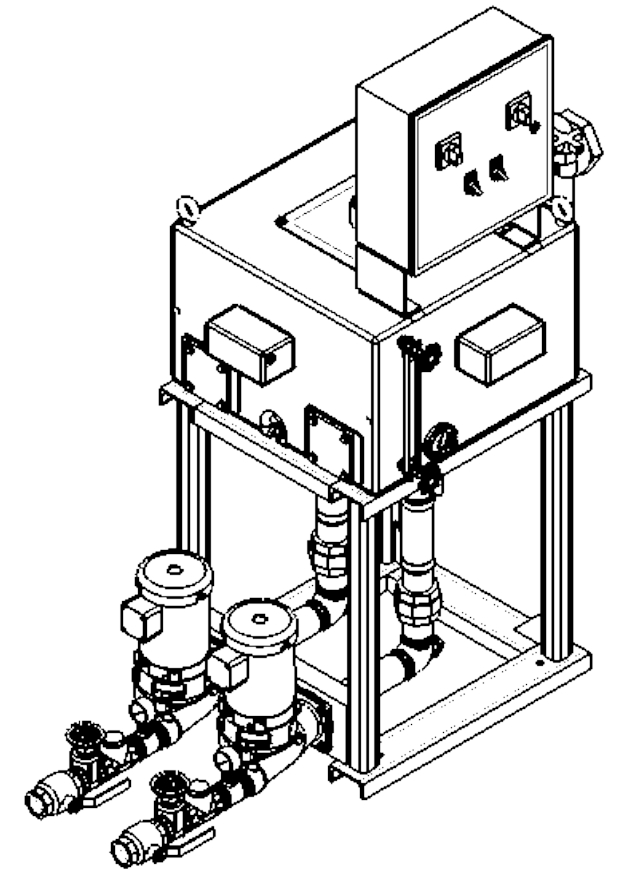
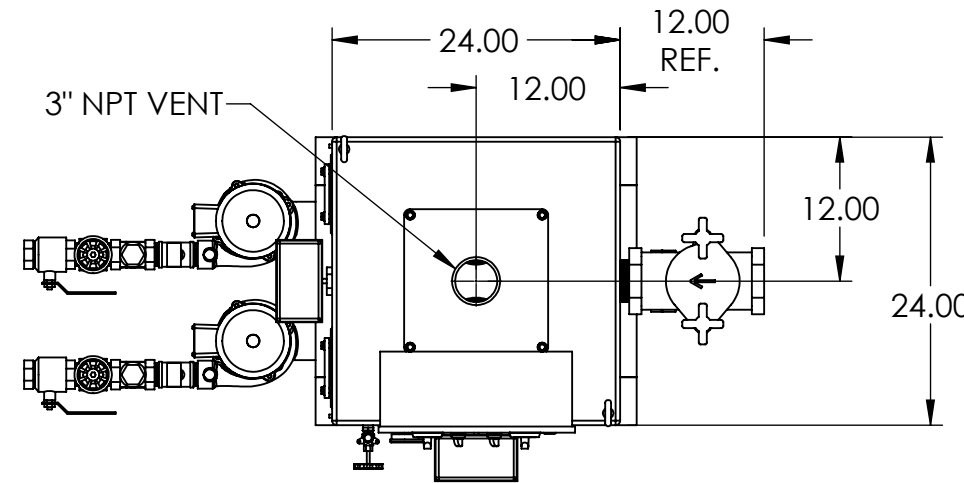


NOTES:

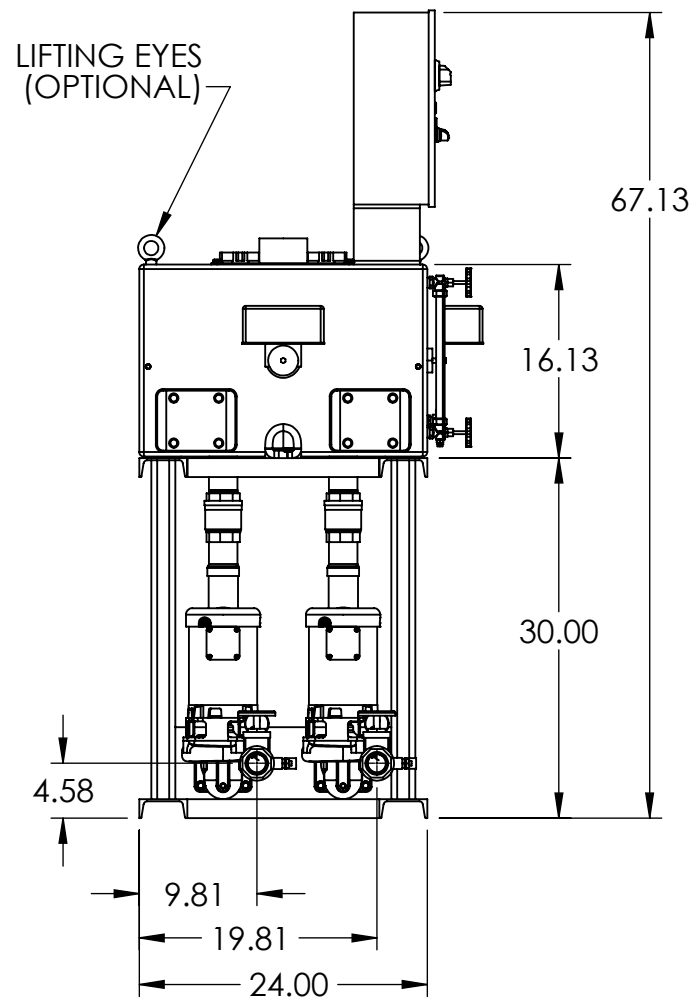
- TANK MATERIAL: CAST IRON PER ASTM A48 CLASS 30
- ALL DIMENSIONS ARE ±0.25"
- DRAWING NOT FOR CONSTRUCTION
- CONSULT FACTORY AT TIME OF ORDER FOR CURRENT PRINT

CONTROL PANEL OPTIONS ALSO AVAILABLE (NOT SHOWN):

- NEMA 4 OR NEMA 4X OR NEMA 3R CONSTRUCTION
- ELECTRIC ALTERNATOR
- POWER ON LIGHT
- PUMP TEST BUTTON
- PUMP RUN TIME METER
- EXTRA DRY CONTACTS
- UL/CUL LABELED PANEL
- HIGH LEVEL ALARM HORN & LIGHT W/SILENCE SWITCH
- LEAD-AUTO-LAG SELECTOR



LIFTING EYES (OPTIONAL)



BACK VIEW

NEMA 12 CONTROL PANEL (OPTIONAL)

FLOAT SWITCH OR ALTERNATOR

GAUGE GLASS (OPTIONAL)

THERMOMETER (OPTIONAL)

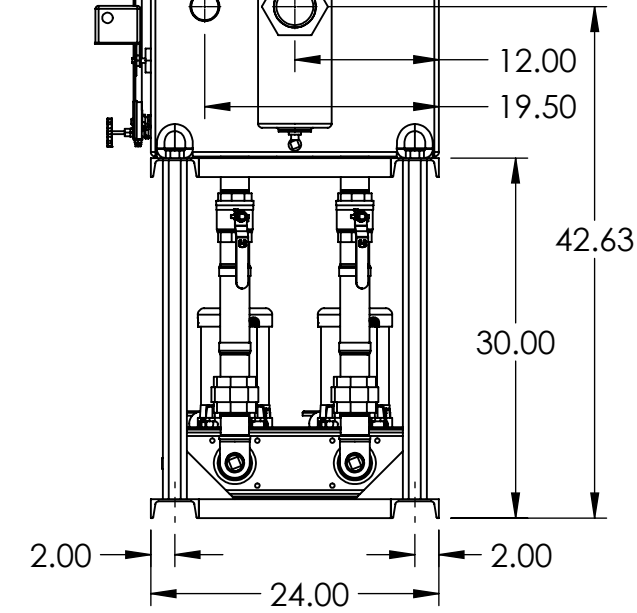
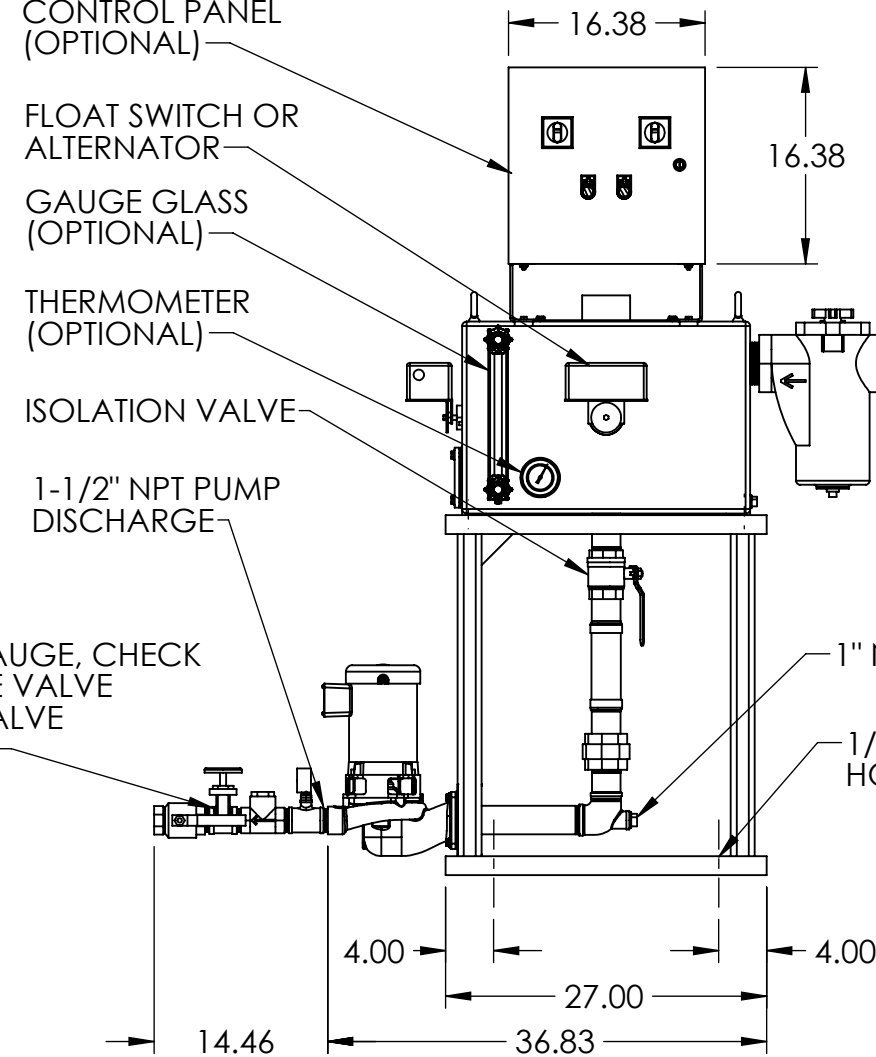
ISOLATION VALVE

1-1/2" NPT PUMP DISCHARGE

PRESSURE GAUGE, CHECK VALVE, GATE VALVE AND BALL VALVE (OPTIONAL)

1" NPT DRAIN

1/2" DIA. MOUNTING HOLES (4) PLACES



REV	DESCRIPTION	ECN	NAME	DATE
A	INITIAL DESIGN		GJM	11/9/2017

PART NO:	Ref PartNo	NAME	DATE
		GJM	11/9/2017

FABRICATION TOLERANCES UNLESS OTHERWISE SPECIFIED: DIMENSIONS ARE IN INCHES	CHECKED	ENG APPR.	THIRD ANGLE PROJECTION

TOLERANCES:	PRODUCT FAMILY	TITLE
ANGULAR DIMENSIONS ±1°	HTSP Boiler and Condensate	36 GALLON DUPLEX 4700 SERIES, ELEVATED "K" CONDENSATE PUMP
FRACTIONS ±1/32		
TWO PLACE DECIMAL ±0.06	PRODUCT CATEGORY	
THREE PLACE DECIMAL ±0.030	4200	

SHEET: 1 OF 1	WEIGHT	DRAWING MAY NOT BE PRINTED TO SCALE.	DWG NO.	REV
	677.24	SCALE: 1:16	684.47036.10	A

