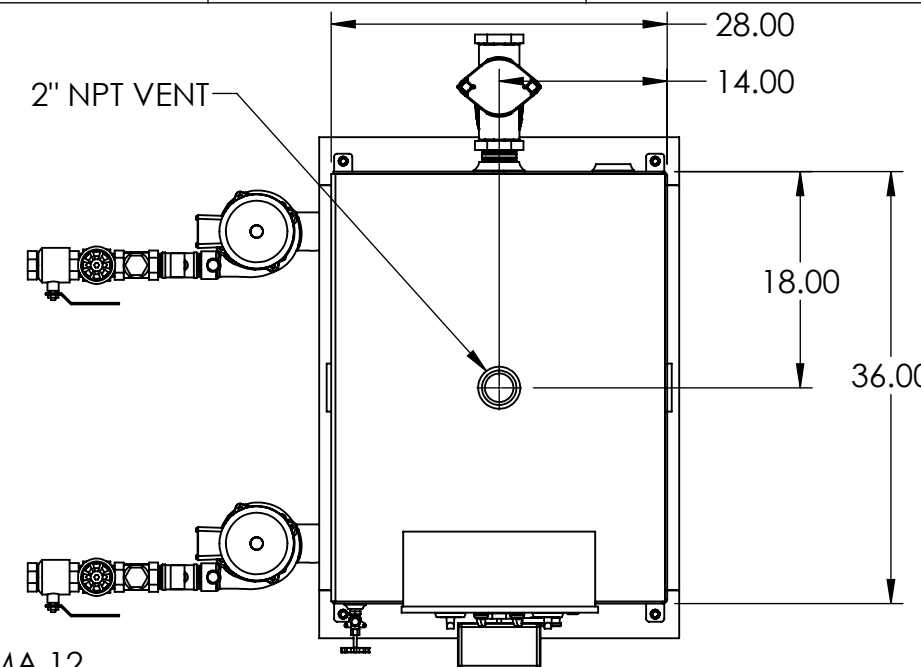
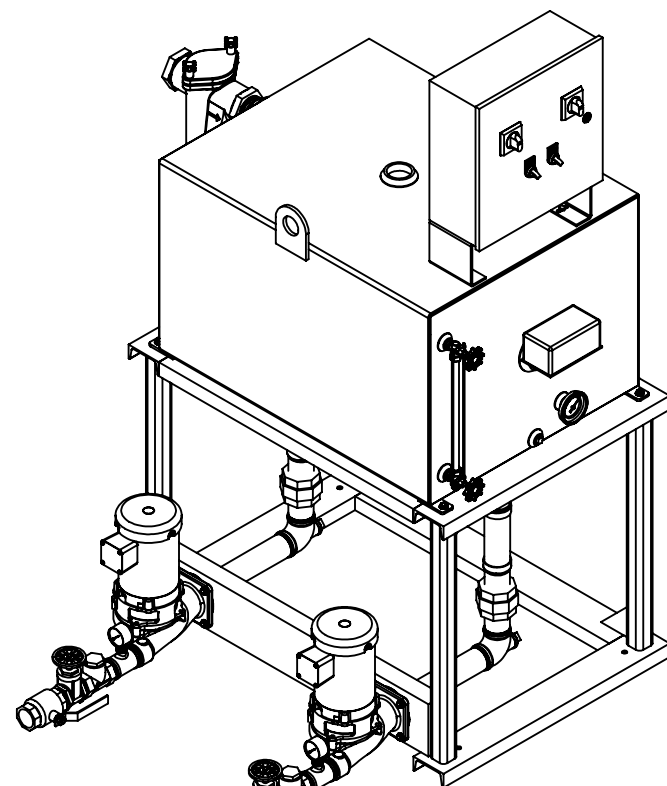


NOTES:

- TANK MATERIAL: STEEL
- ALL DIMENSIONS ARE ±0.25"
- DRAWING NOT FOR CONSTRUCTION
- CONSULT FACTORY AT TIME OF ORDER FOR CURRENT PRINT

CONTROL PANEL OPTIONS ALSO AVAILABLE (NOT SHOWN):

- NEMA 4 OR NEMA 4X OR NEMA 3R CONSTRUCTION
- ELECTRIC ALTERNATOR
- POWER ON LIGHT
- PUMP TEST BUTTON
- PUMP RUN TIME METER
- EXTRA DRY CONTACTS
- UL/CUL LABELED PANEL
- HIGH LEVEL ALARM HORN & LIGHT W/SILENCE SWITCH
- LEAD-AUTO-LAG SELECTOR SWITCH



2" NPT VENT
NEMA 12 CONTROL PANEL (OPTIONAL)

FLOAT SWITCH OR ALTERNATOR

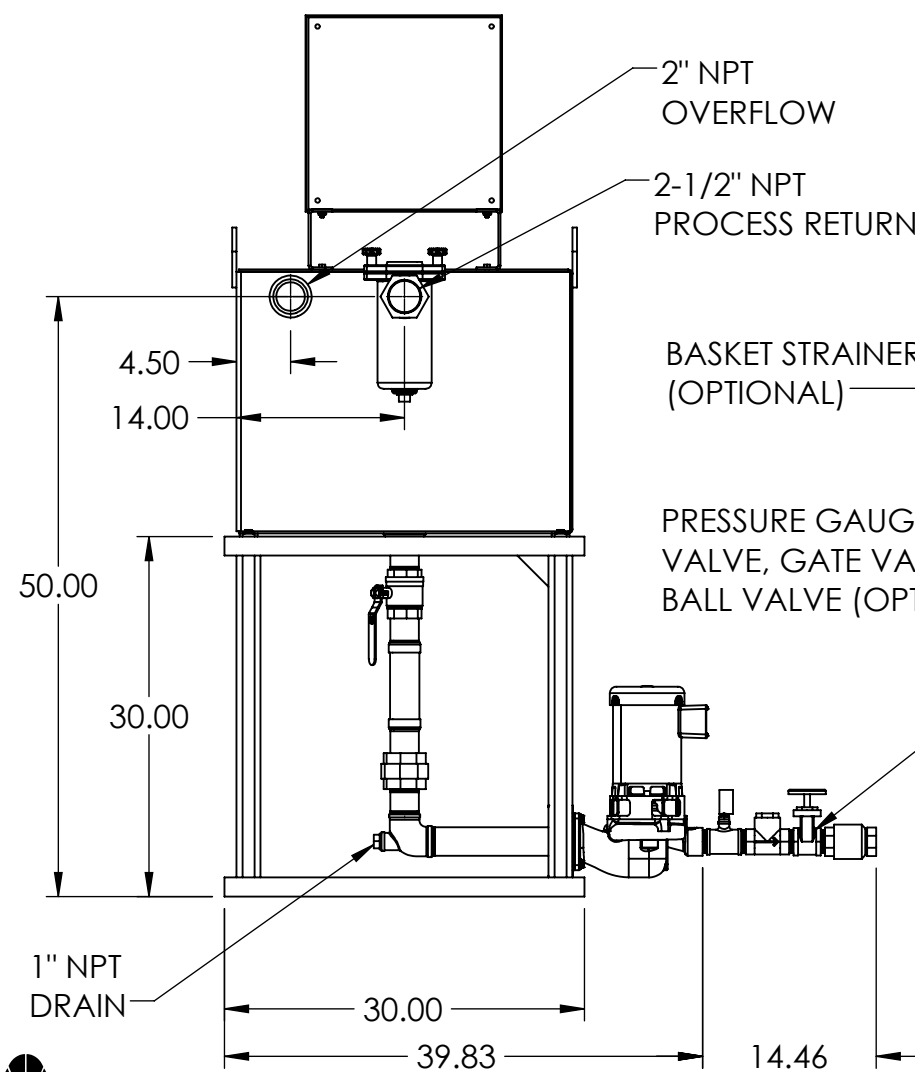
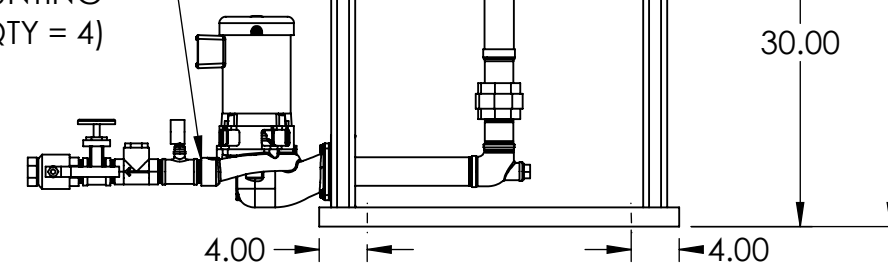
THERMOMETER (OPTIONAL)

GAUGE GLASS (OPTIONAL)

ISOLATION VALVE

1-1/2" NPT PUMP DISCHARGE

1/2" MOUNTING HOLES (QTY = 4)



2" NPT OVERFLOW

2-1/2" NPT PROCESS RETURN

BASKET STRAINER (OPTIONAL)

PRESSURE GAUGE, CHECK VALVE, GATE VALVE AND BALL VALVE (OPTIONAL)

1" NPT DRAIN

LIFTING EYES (OPTIONAL)

4.58

2.00

10.69

36.69

41.75

2.00

4.00

4.00



armstronginternational.com

| REV | DESCRIPTION | ECN | NAME | DATE |
|-----|----------------|-----|------|-----------|
| A | INITIAL DESIGN | | GJM | 11/1/2017 |

| | | | | |
|---|--------------------------------------|--------------|--|-----------|
| PART NO: 684.46095.10 | NAME | DATE | THIRD ANGLE PROJECTION | |
| FABRICATION TOLERANCES UNLESS OTHERWISE SPECIFIED: DIMENSIONS ARE IN INCHES | DRAWN | GJM | | 11/1/2017 |
| TOLERANCES: ANGULAR DIMENSIONS ±1° FRACTIONS ±1/32 | CHECKED | | | |
| TWO PLACE DECIMAL ±0.06 THREE PLACE DECIMAL ±0.030 | ENG APPR. | | | |
| PRODUCT FAMILY HTSP Boiler and Condensate PRODUCT CATEGORY 4600 | | | TITLE | |
| SHEET: 1 OF 1 | | | 95 GALLON DUPLEX 4600 SERIES, ELEVATED "K" CONDENSATE PUMP | |
| WEIGHT | DRAWING MAY NOT BE PRINTED TO SCALE. | DWG NO. | REV | |
| 876.60 | SCALE: 1:16 | 684.46095.10 | A | |