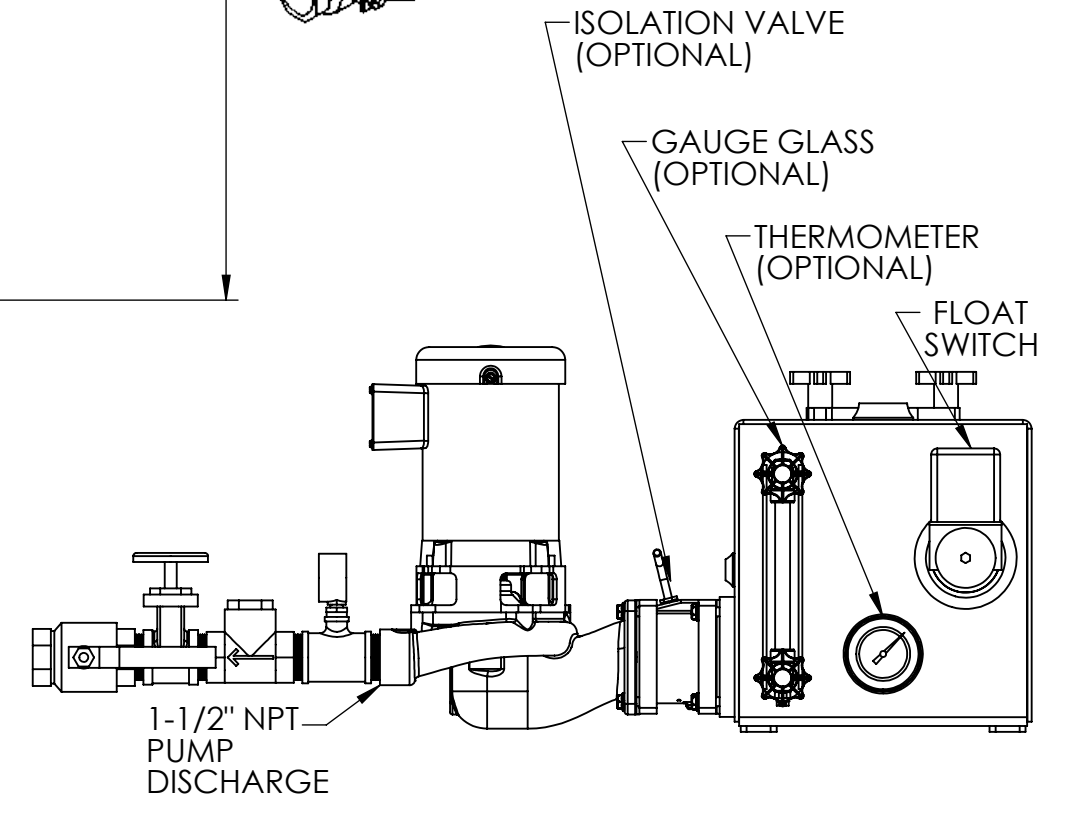
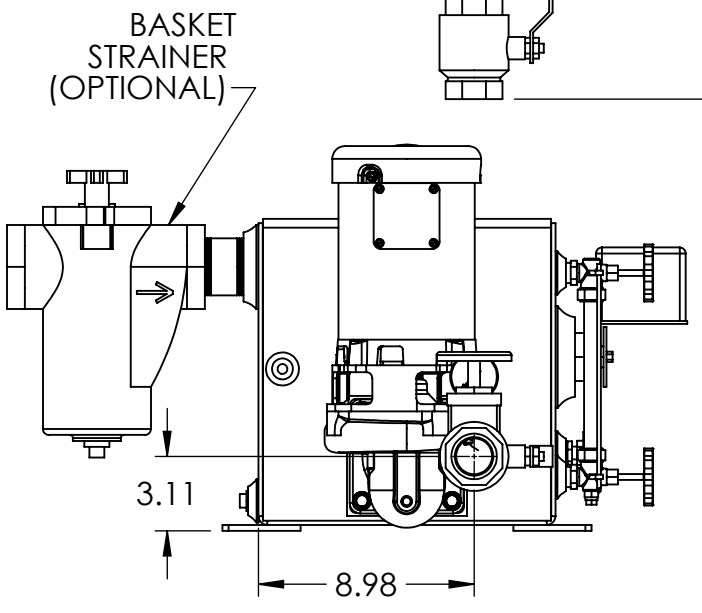
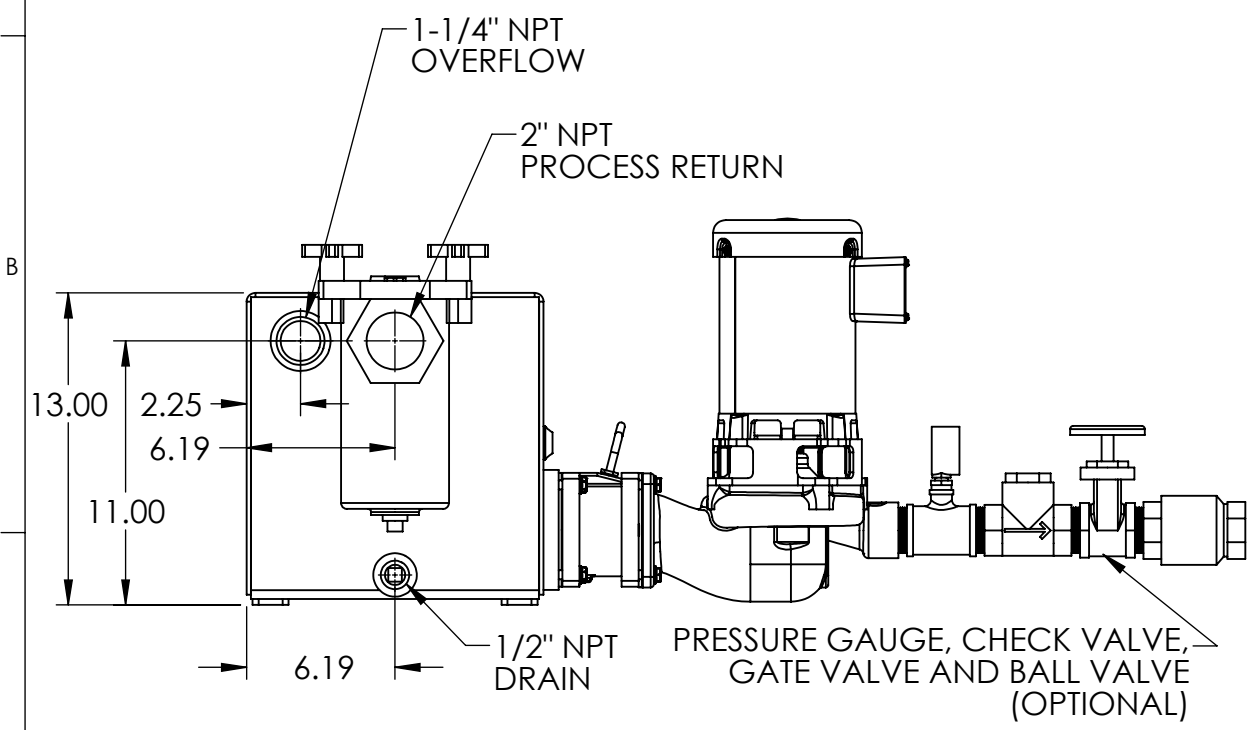
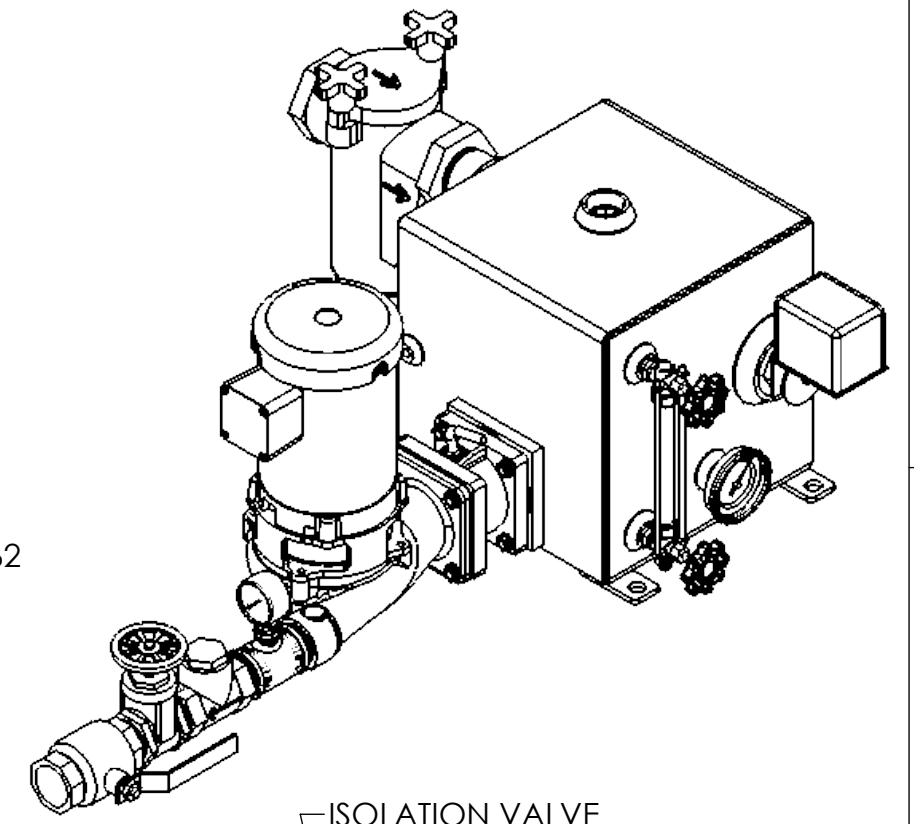
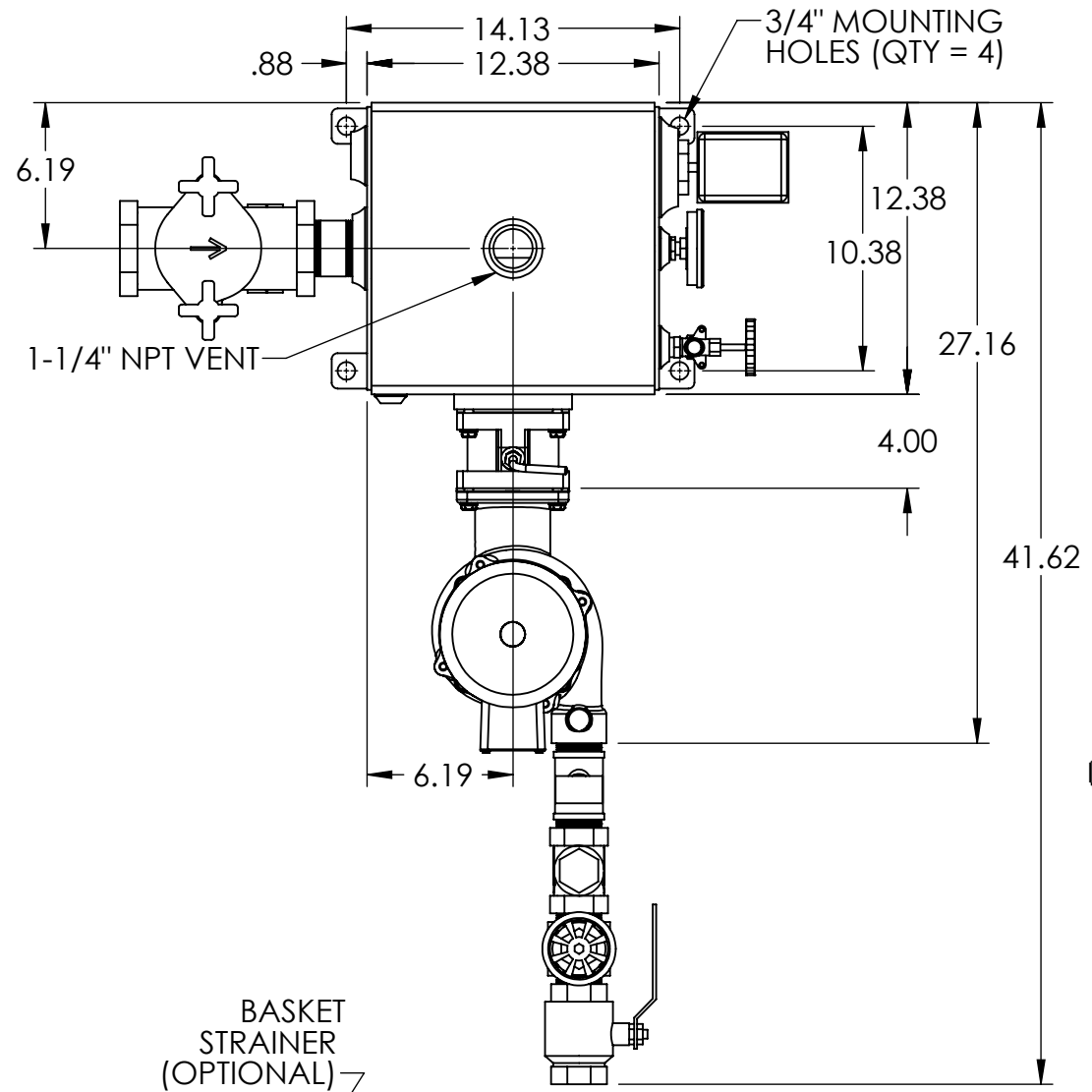


REMOTE MOUNTED NEMA 12 CONTROL PANEL (OPTIONAL)



- NOTES:**
- TANK MATERIAL: STEEL
 - ALL DIMENSIONS ARE ±0.25"
 - DRAWING NOT FOR CONSTRUCTION
 - CONSULT FACTORY AT TIME OF ORDER FOR CURRENT PRINT

- CONTROL PANEL OPTIONS ALSO AVAILABLE (NOT SHOWN):**
- NEMA 4 OR NEMA 4X OR NEMA 3R CONSTRUCTION
 - POWER ON LIGHT
 - PUMP TEST BUTTON
 - PUMP RUN TIME METER
 - EXTRA DRY CONTACTS
 - UL/CUL LABELED PANEL
 - HIGH LEVEL ALARM HORN & LIGHT W/SILENCE SWITCH

REV	DESCRIPTION			ECN	NAME	DATE
A	INITIAL DESIGN				GJM	10/17/2017
PART NO:		Ref PartNo	NAME	DATE	THIRD ANGLE PROJECTION	
FABRICATION TOLERANCES UNLESS OTHERWISE SPECIFIED: DIMENSIONS ARE IN INCHES		DRAWN	GJM	10/17/2017	TITLE	
TOLERANCES: ANGULAR DIMENSIONS ±1° FRACTIONS ±1/32		CHECKED			8 GALLON SIMPLEX 4600 SERIES "K" CONDENSATE PUMP	
TWO PLACE DECIMAL ±0.06 THREE PLACE DECIMAL ±0.030		ENG APPR.				
SHEET: 1 OF 1		PRODUCT FAMILY	HTSP Boiler and Condensate			
WEIGHT		DRAWING MAY NOT BE PRINTED TO SCALE.		DWG NO.	REV	
639.73		SCALE: 1:8		684.46008.00	A	