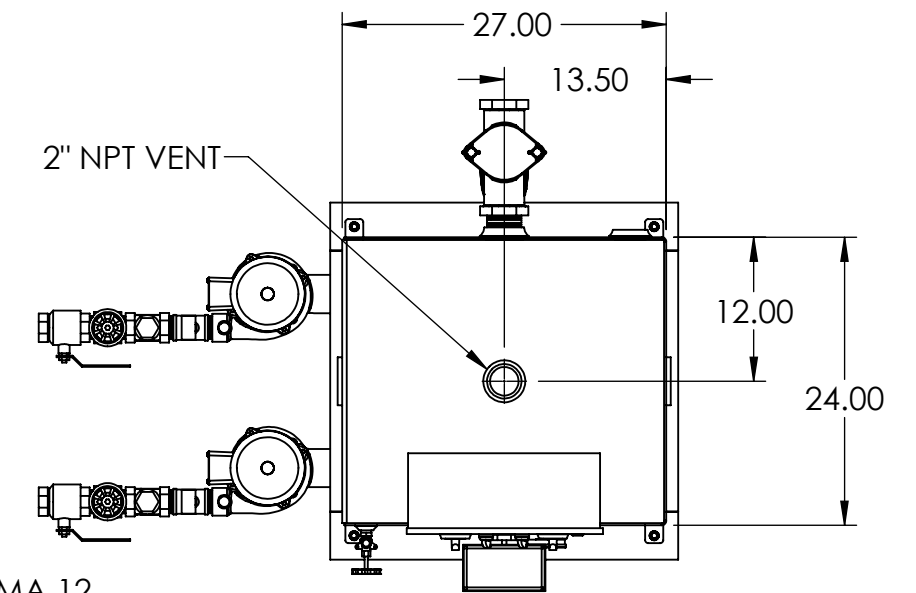
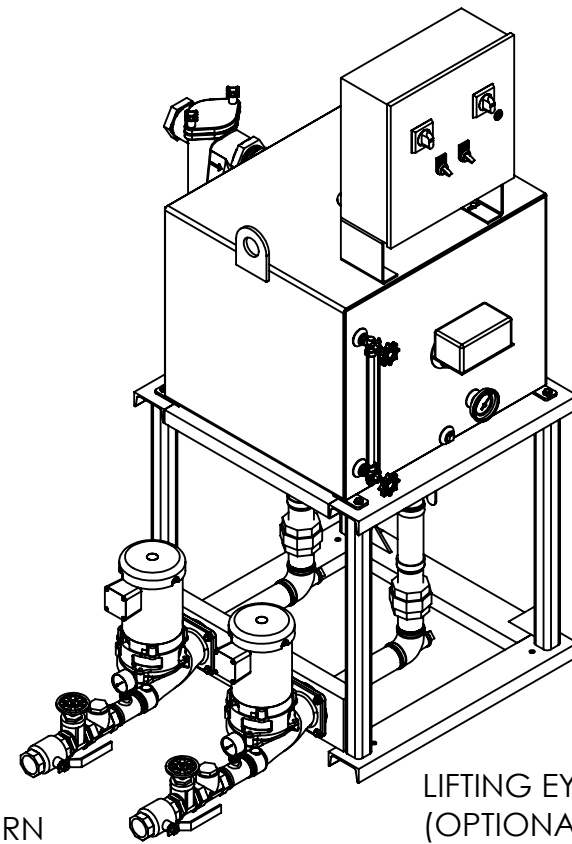


NOTES:

- TANK MATERIAL: STEEL
- ALL DIMENSIONS ARE $\pm 0.25"$
- DRAWING NOT FOR CONSTRUCTION
- CONSULT FACTORY AT TIME OF ORDER FOR CURRENT PRINT

CONTROL PANEL OPTIONS ALSO AVAILABLE (NOT SHOWN):

- NEMA 4 OR NEMA 4X OR NEMA 3R CONSTRUCTION
- ELECTRIC ALTERNATOR
- POWER ON LIGHT
- PUMP TEST BUTTON
- PUMP RUN TIME METER
- EXTRA DRY CONTACTS
- UL/CUL LABELED PANEL
- HIGH LEVEL ALARM HORN & LIGHT W/SILENCE SWITCH
- LEAD-AUTO-LAG SELECTOR SWITCH



NEMA 12
CONTROL PANEL
(OPTIONAL)

FLOAT SWITCH OR
ALTERNATOR

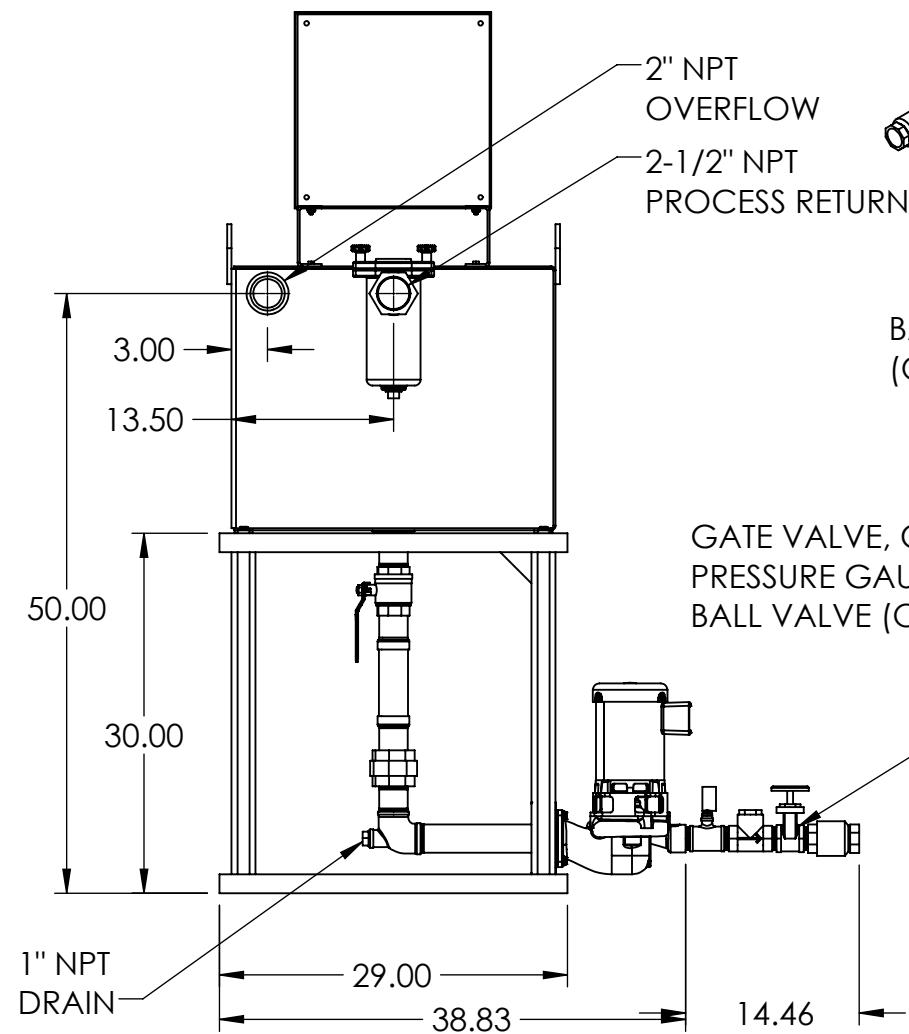
THERMOMETER
(OPTIONAL)

GAUGE GLASS
(OPTIONAL)

ISOLATION VALVE

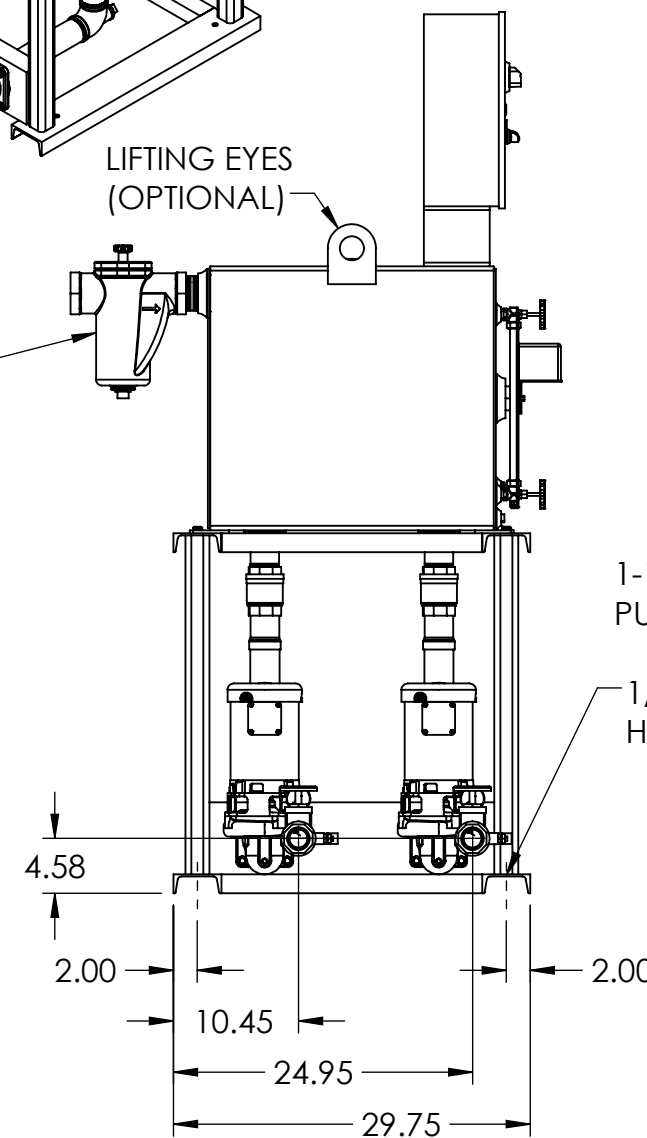
1-1/2" NPT
PUMP DISCHARGE

1/2" MOUNTING
HOLES (QTY = 4)

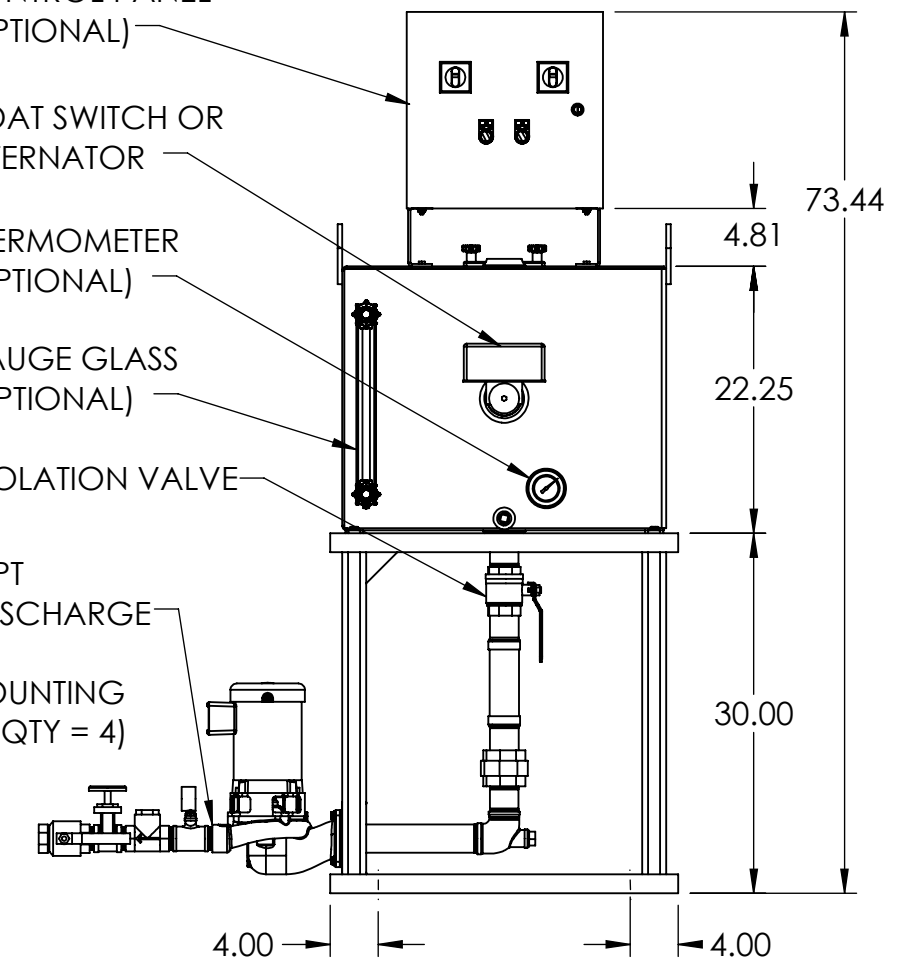


BASKET STRAINER
(OPTIONAL)

GATE VALVE, CHECK VALVE
PRESSURE GAUGE AND
BALL VALVE (OPTIONAL)



LIFTING EYES
(OPTIONAL)



REV	DESCRIPTION	ECN	NAME	DATE
A	INITIAL DESIGN		GJM	11/1/2017

PART NO:	684.46060.10	NAME	GJM	DATE	11/1/2017
FABRICATION TOLERANCES UNLESS OTHERWISE SPECIFIED: DIMENSIONS ARE IN INCHES	DRAWN	GJM	11/1/2017	THIRD ANGLE PROJECTION	
TOLERANCES: ANGULAR DIMENSIONS $\pm 1^\circ$ FRACTIONS $\pm 1/32$	CHECKED			TITLE	
TWO PLACE DECIMAL ± 0.06 THREE PLACE DECIMAL ± 0.030	ENG APPR.			60 GALLON DUPLEX 4600 SERIES, ELEVATED "K" CONDENSATE PUMP	
	PRODUCT FAMILY	HTSP Boiler and Condensate			
	PRODUCT CATEGORY	4600			
SHEET: 1 OF 1	WEIGHT	782.66	DRAWING MAY NOT BE PRINTED TO SCALE.	DWG NO.	684.46060.10
	SCALE:	1:16		REV	A

