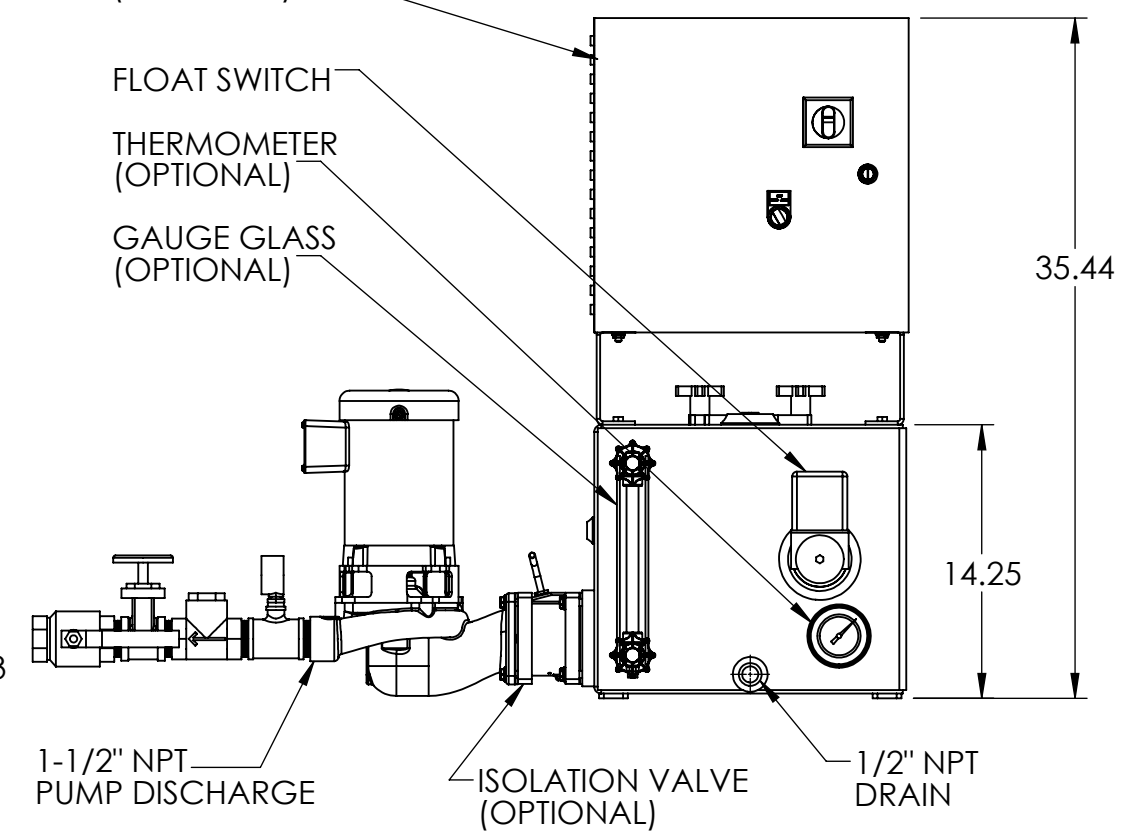
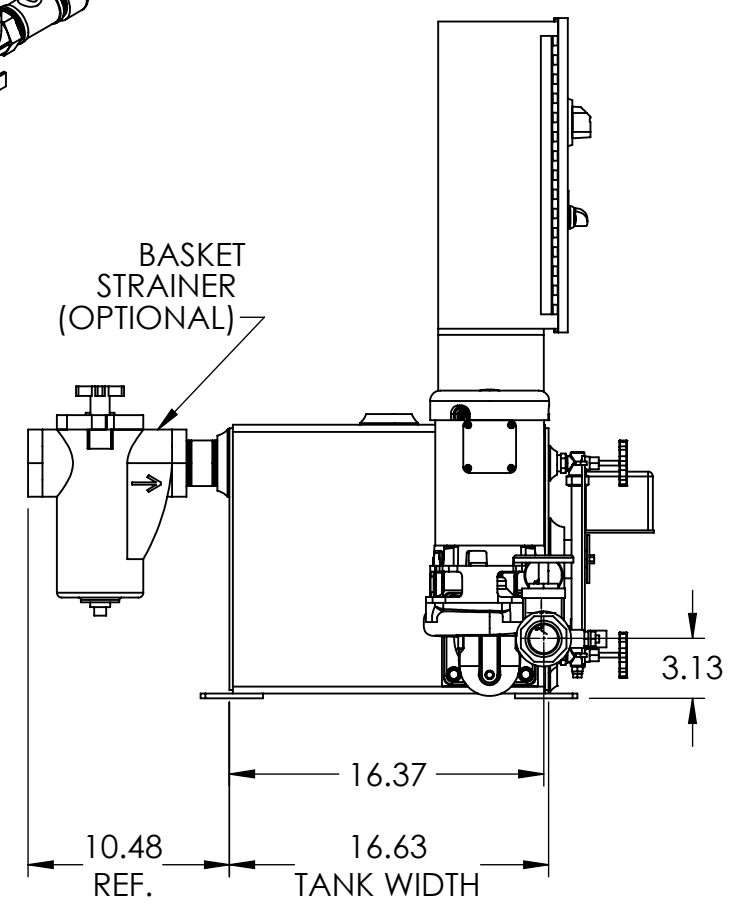
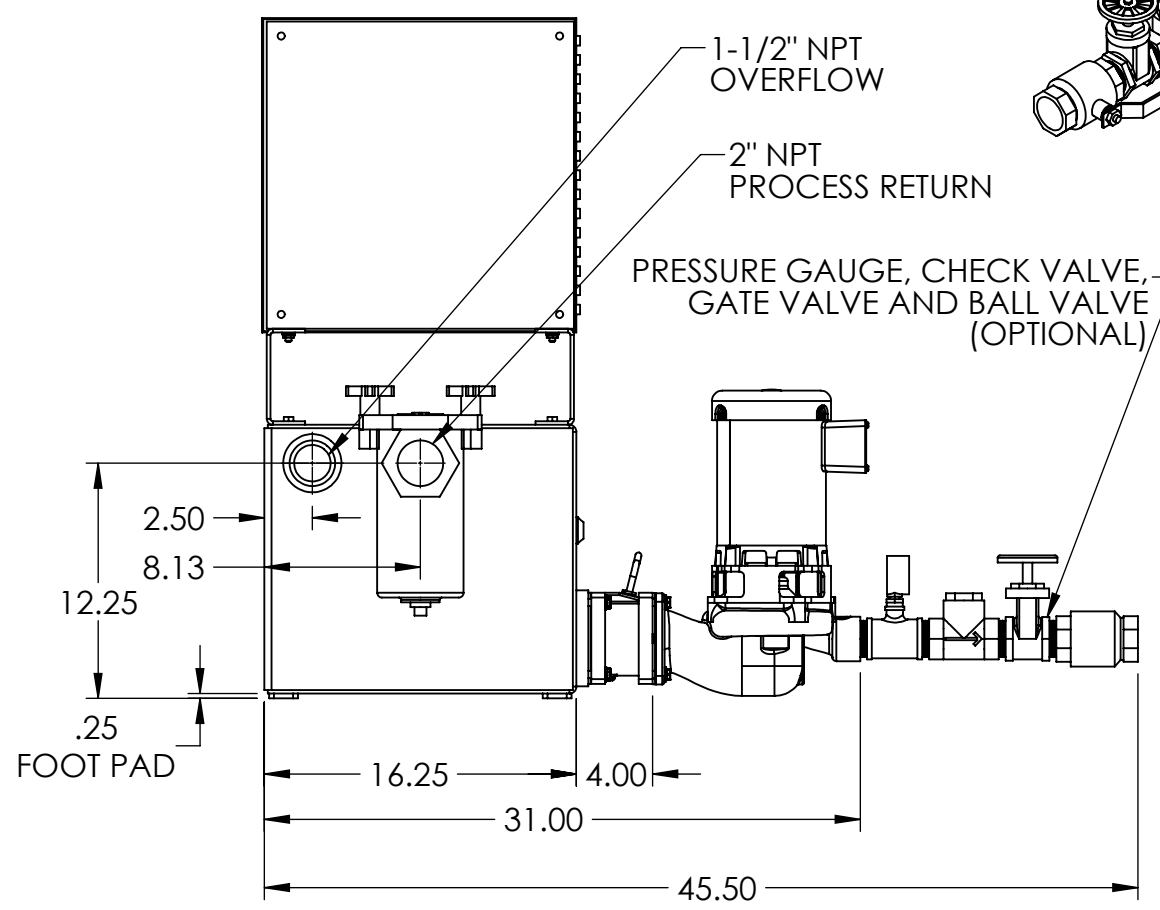
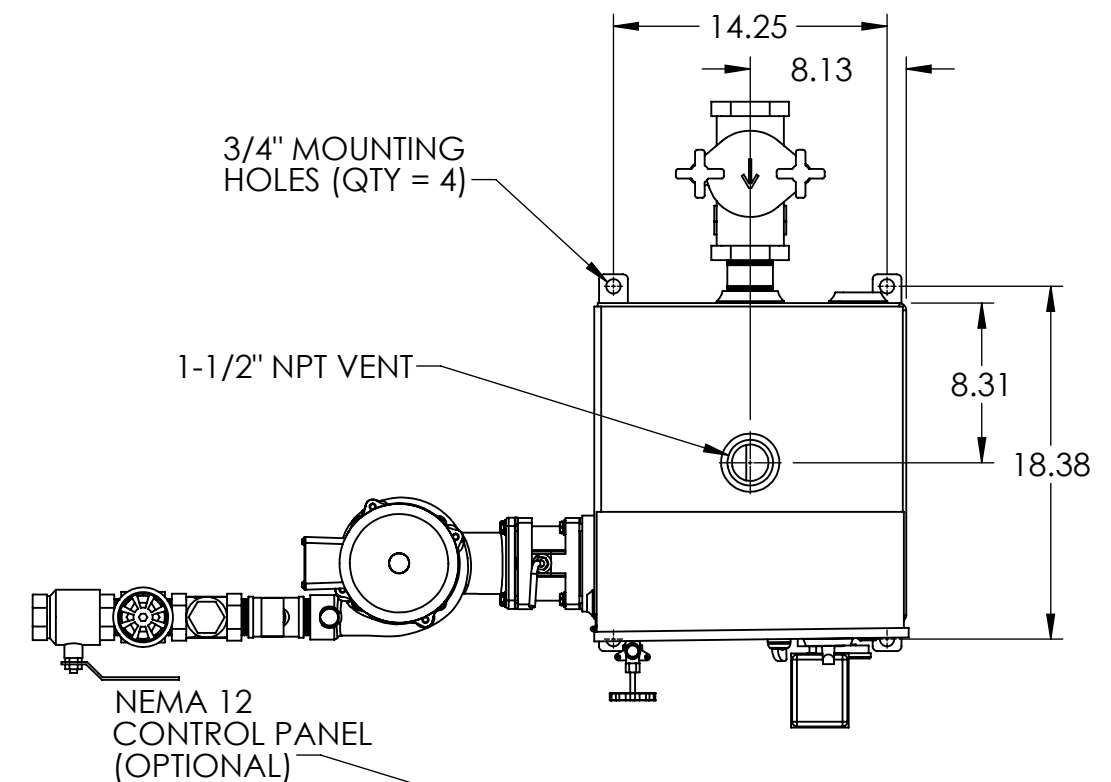
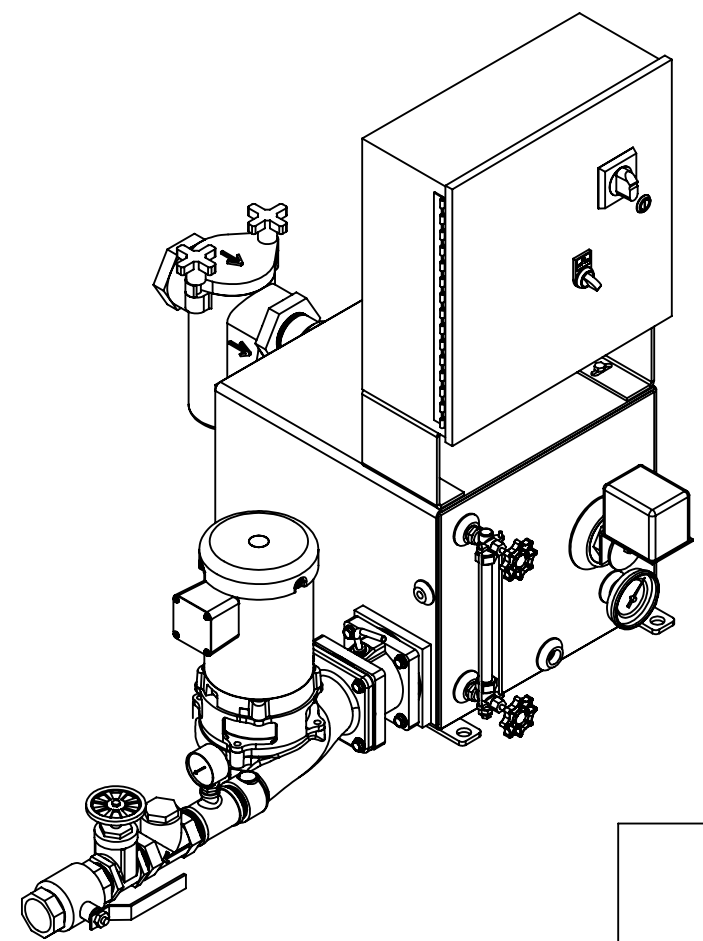


NOTES:

- TANK MATERIAL: STEEL
- ALL DIMENSIONS ARE ±0.25"
- DRAWING NOT FOR CONSTRUCTION
- CONSULT FACTORY AT TIME OF ORDER FOR CURRENT PRINT

CONTROL PANEL OPTIONS ALSO AVAILABLE (NOT SHOWN):

- NEMA 4 OR NEMA 4X OR NEMA 3R CONSTRUCTION
- POWER ON LIGHT
- PUMP TEST BUTTON
- PUMP RUN TIME METER
- EXTRA DRY CONTACTS
- UL/CUL LABELED PANEL
- HIGH LEVEL ALARM HORN & LIGHT W/SILENCE SWITCH



REV	DESCRIPTION	ECN	NAME	DATE
A	INITIAL DESIGN		GJM	10/17/2017

PART NO:	Ref PartNo	NAME	DATE
FABRICATION TOLERANCES UNLESS OTHERWISE SPECIFIED: DIMENSIONS ARE IN INCHES	DRAWN	GJM	10/17/2017
TOLERANCES: ANGULAR DIMENSIONS ±1° FRACTIONS ±1/32	CHECKED		
TWO PLACE DECIMAL ±0.06	ENG APPR.		
THREE PLACE DECIMAL ±0.030	PRODUCT FAMILY	HTSP Boiler and Condensate	
	PRODUCT CATEGORY	4100	

SHEET: 1 OF 1		WEIGHT	DRAWING MAY NOT BE PRINTED TO SCALE.	DWG NO.	REV
	1197.83	SCALE: 1:10	684.46015.01	A	

