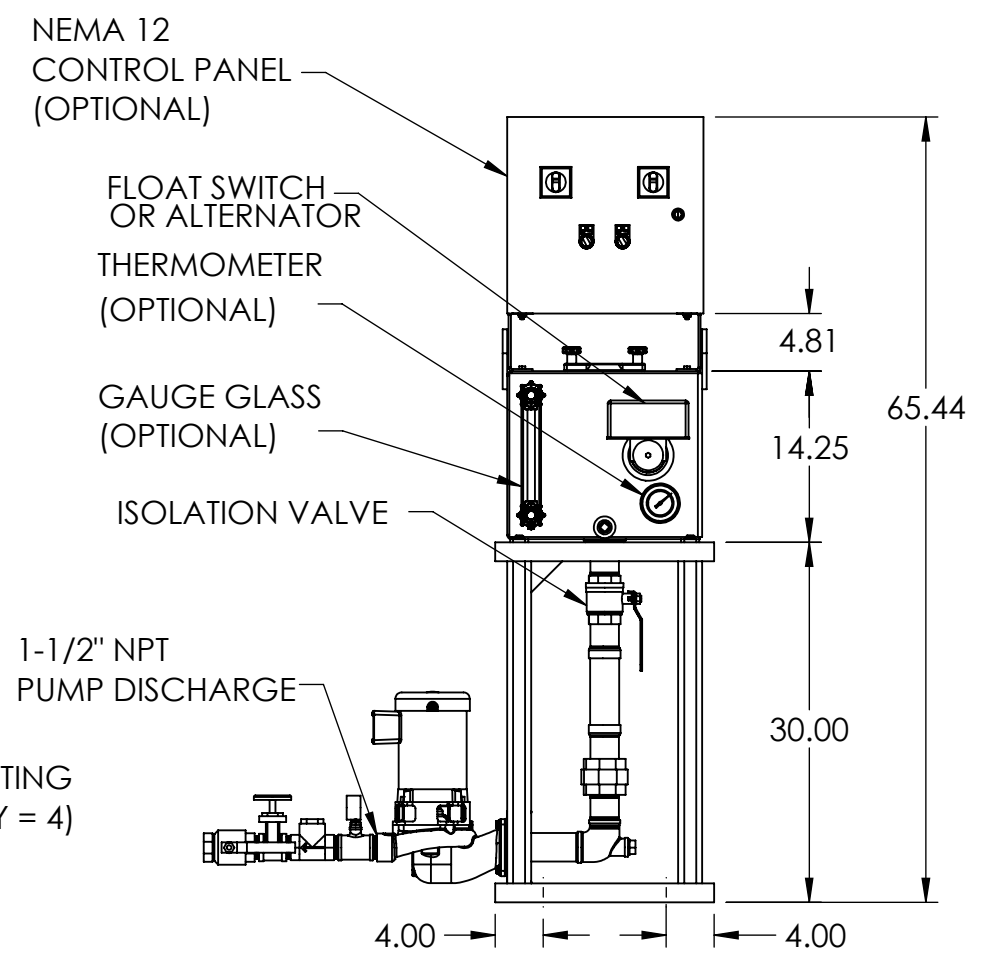
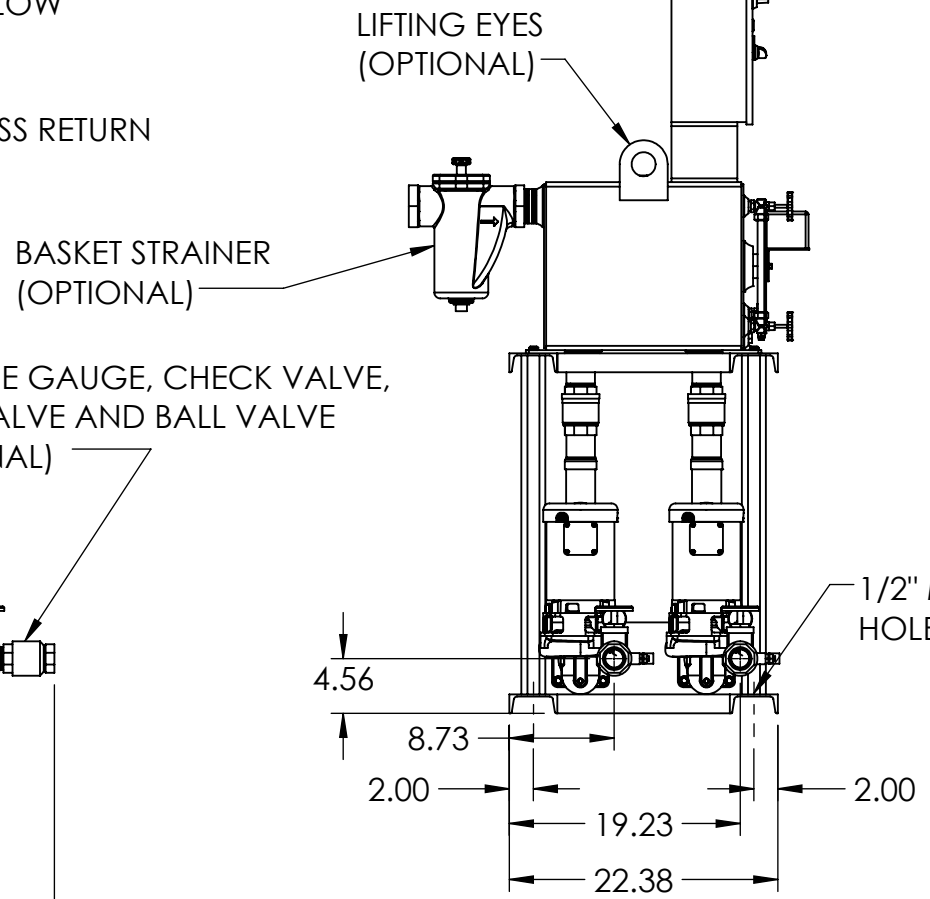
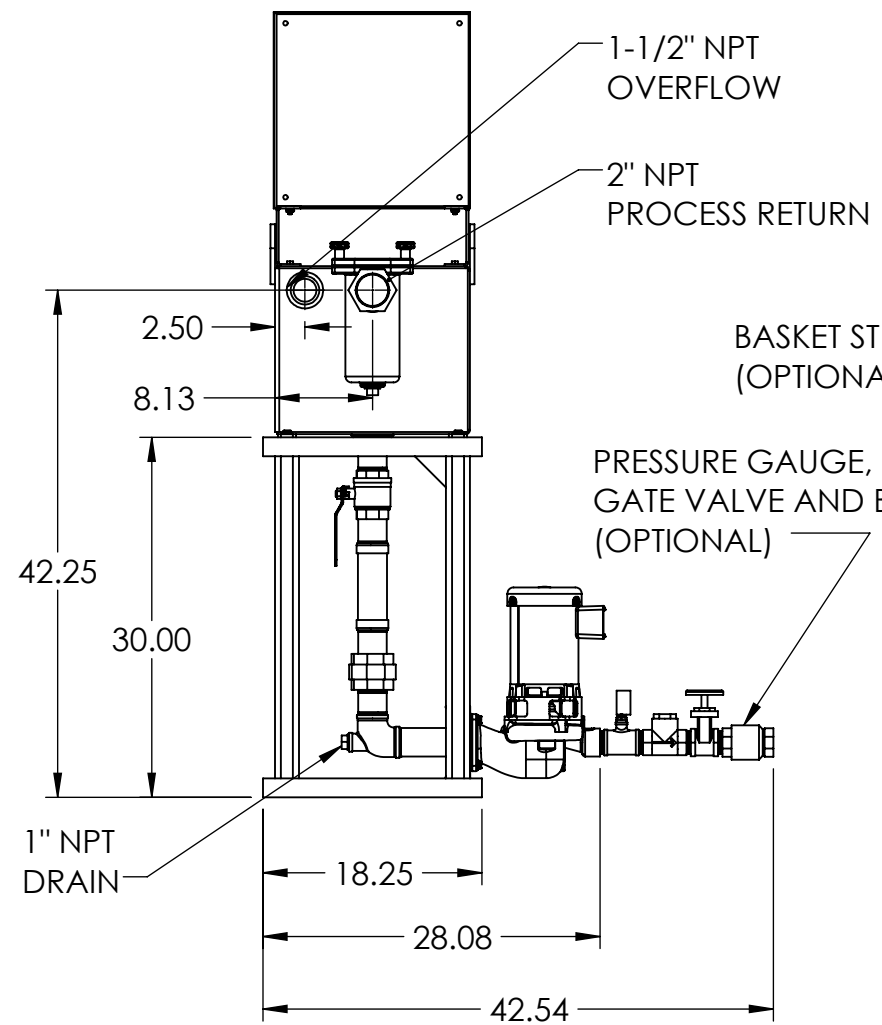
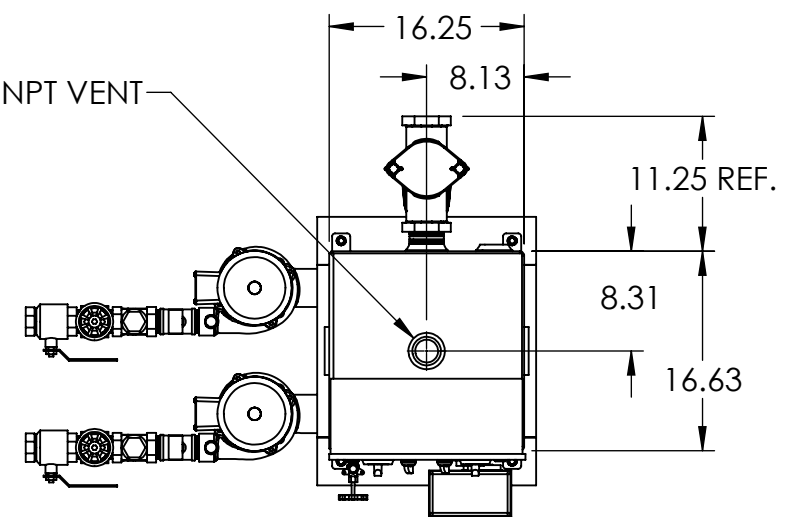
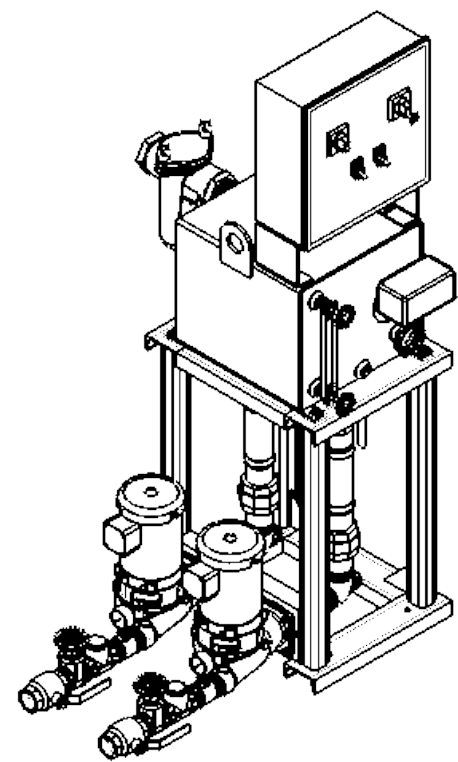


NOTES:

- TANK MATERIAL: STEEL
- ALL DIMENSIONS ARE ±0.25"
- DRAWING NOT FOR CONSTRUCTION
- CONSULT FACTORY AT TIME OF ORDER FOR CURRENT PRINT

CONTROL PANEL OPTIONS ALSO AVAILABLE (NOT SHOWN):

- NEMA 4 OR NEMA 4X OR NEMA 3R CONSTRUCTION
- ELECTRIC ALTERNATOR
- POWER ON LIGHT
- PUMP TEST BUTTON
- PUMP RUN TIME METER
- EXTRA DRY CONTACTS
- UL/CUL LABELED PANEL
- HIGH LEVEL ALARM HORN & LIGHT W/SILENCE SWITCH
- LEAD-AUTO-LAG SELECTOR SWITCH



armstronginternational.com

REV	DESCRIPTION	ECN	NAME	DATE
A	INITIAL DESIGN		GJM	11/1/2017
PART NO: 684.46015.10		NAME	DATE	
DRAWN		GJM	11/1/2017	
CHECKED				
ENG APPR.				
PRODUCT FAMILY		HTSP Boiler and Condensate		
PRODUCT CATEGORY		4600		
TOLERANCES:		THIRD ANGLE PROJECTION		
ANGULAR DIMENSIONS ±1°		TITLE		
FRACTIONS ±1/32		15 GALLON DUPLEX		
TWO PLACE DECIMAL ±0.06		4600 SERIES, ELEVATED		
THREE PLACE DECIMAL ±0.030		"K" CONDENSATE PUMP		
SHEET: 1 OF 1	WEIGHT 1646.13	DRAWING MAY NOT BE PRINTED TO SCALE. SCALE: 1:16		DWG NO. 684.46015.10
				REV A