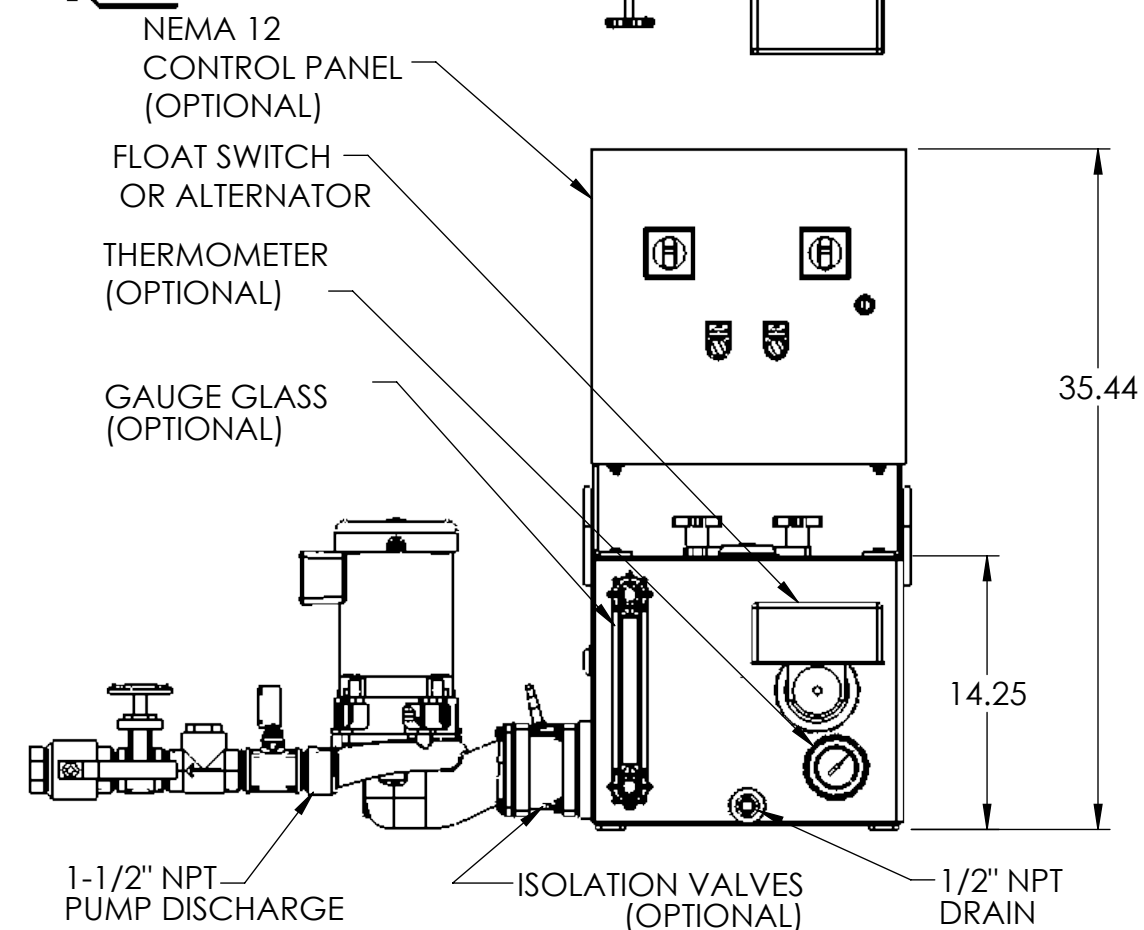
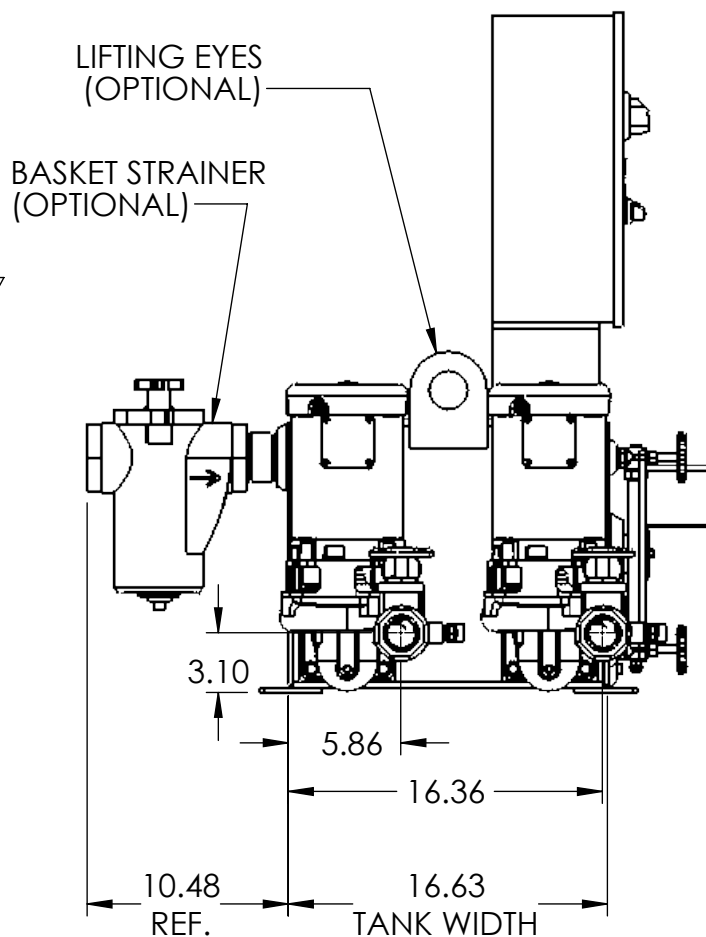
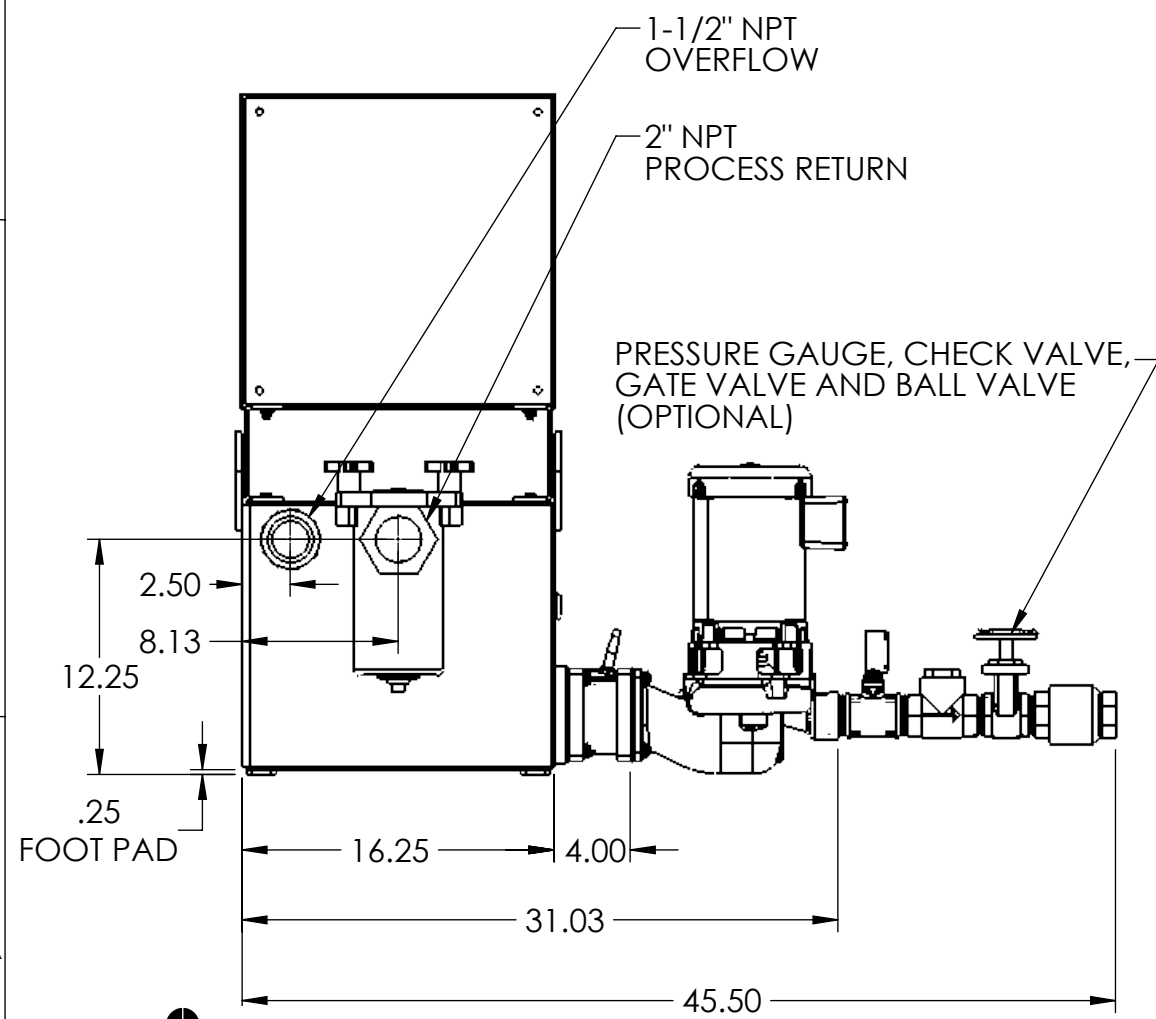
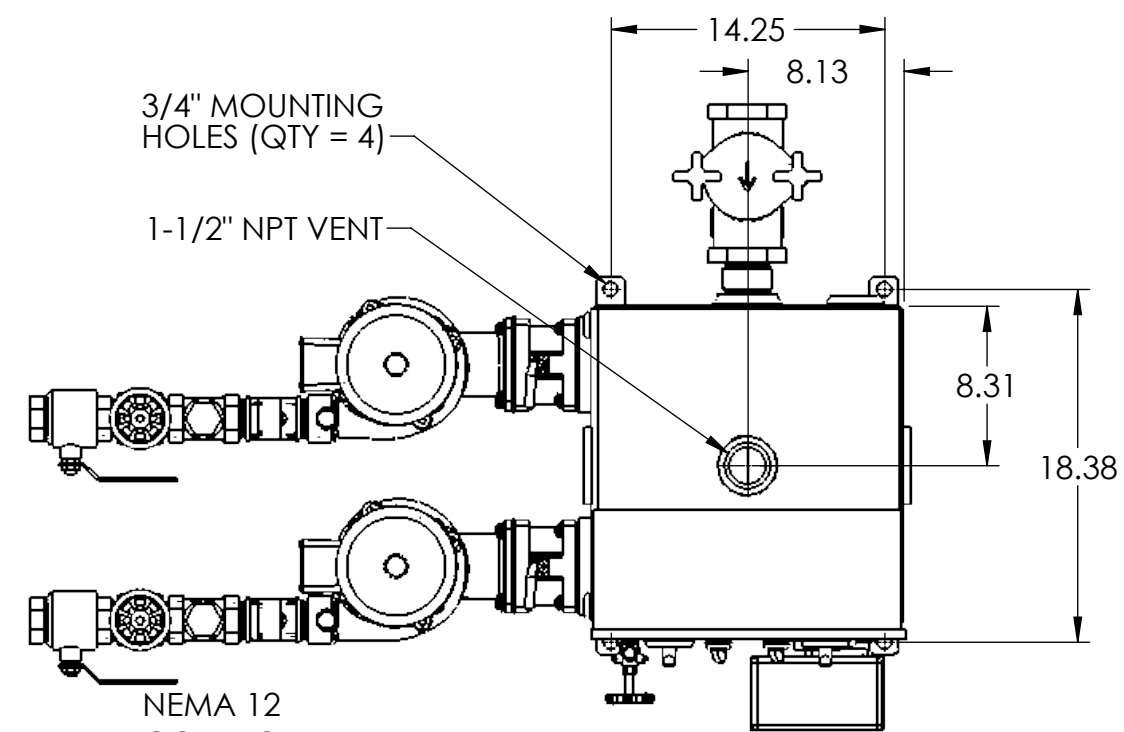
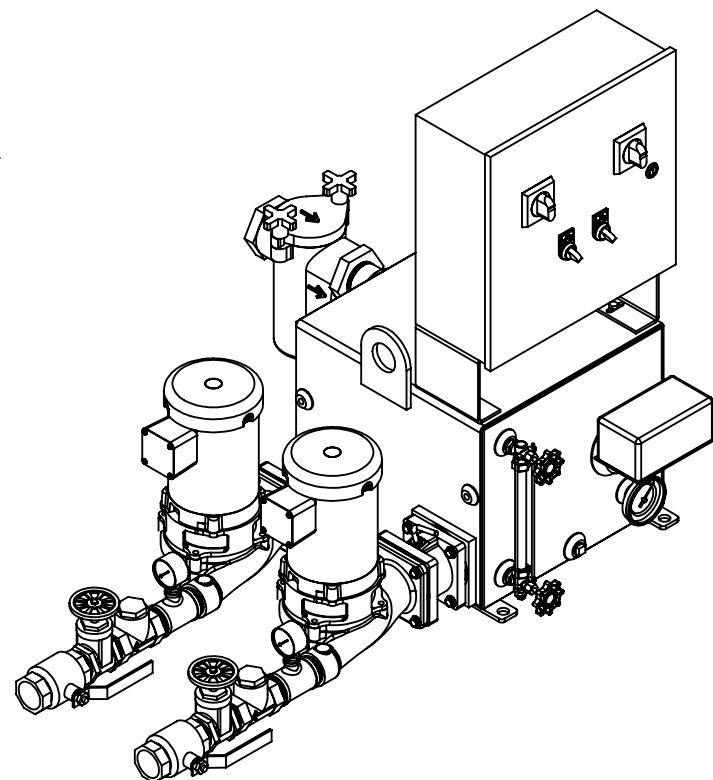


NOTES:

- TANK MATERIAL: STEEL
- ALL DIMENSIONS ARE $\pm 0.25"$
- DRAWING NOT FOR CONSTRUCTION
- CONSULT FACTORY AT TIME OF ORDER FOR CURRENT PRINT

CONTROL PANEL OPTIONS ALSO AVAILABLE (NOT SHOWN):

- NEMA 4 OR NEMA 4X OR NEMA 3R CONSTRUCTION
- ELECTRIC ALTERNATOR
- POWER ON LIGHT
- PUMP TEST BUTTON
- PUMP RUN TIME METER
- EXTRA DRY CONTACTS
- UL/CUL LABELED PANEL
- HIGH LEVEL ALARM HORN & LIGHT W/SILENCE SWITCH
- LEAD-AUTO-LAG SELECTOR SWITCH



| REV | DESCRIPTION | ECN | NAME | DATE |
|--|----------------|----------------------------|--------------------------------------|--------------|
| A | Initial Design | | GJM | 10/31/2017 |
| PART NO: 684.46015.00 | | NAME | GJM | DATE |
| DRAWN | | GJM | 10/31/2017 | |
| CHECKED | | | | |
| ENG APPR. | | | | |
| PRODUCT FAMILY | | HTSP Boiler and Condensate | | |
| PRODUCT CATEGORY | | | | |
| TOLERANCES: ANGULAR DIMENSIONS $\pm 1^\circ$ | | THIRD ANGLE PROJECTION | | |
| FRACTIONS $\pm 1/32$ | | TITLE | | |
| TWO PLACE DECIMAL ± 0.06 | | 15 GALLON DUPLEX | | |
| THREE PLACE DECIMAL ± 0.030 | | 4600 SERIES | | |
| | | "K" CONDENSATE PUMP | | |
| SHEET: 1 OF 1 | | WEIGHT | DRAWING MAY NOT BE PRINTED TO SCALE. | DWG NO. |
| | | 1257.99 | SCALE: 1:10 | 684.46015.00 |
| | | | | REV |
| | | | | A |

