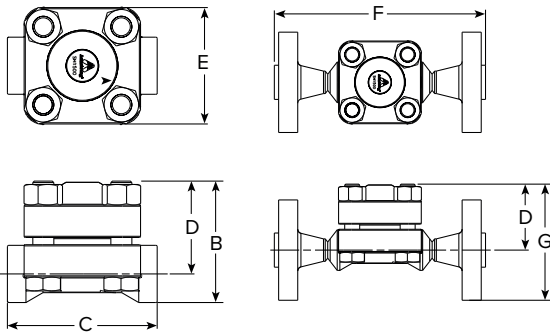




SH-1500 Bimetallic Superheat Steam Trap

Cast Chromemoly Steel

For Pressures to 124 bar...Capacities to 3 180 kg/h



Model SH-1500

Description

SH Series superheat steam traps operate by the effect that rising temperature has on the thermostatic bimetallic elements.

At start-up the valve is wide open, which allows a large volume of non-condensables and cold condensate to be removed from the system. When the system reaches steam temperature, the elements become sufficiently hot to pull on the trap's valve stem, closing the valve.

The valve remains closed until the bimetallic elements cool, thus allowing the valve to crack open, vent the condensate and non-condensables, and then close again when steam temperature is reached.

The SH Series superheat steam traps adjust automatically to changing conditions. Hot elements in the valve generate forces to offset rises in pressure. The SH 1500 series utilizes titanium valves and seats to ensure extremely long service life in the harsh environment of superheated steam systems.

Specification

Bimetallic style steam traps type SH-1500 in investment cast chromemoly steel with integral stainless steel strainer, inline repairable. The mechanism shall consist of a stacked nickel-chrome bimetal operator with titanium valve and seat. The steam trap shall be capable of operation on low-load applications throughout its pressure/temperature range. Maximum allowable back pressure 99% of inlet pressure.

How to Order

Specify:

- Size and type of pipe connection
- Maximum working pressure that will be encountered
- Maximum condensate load

Table ST-184-1. Model SH-1500 Cold Water Capacity

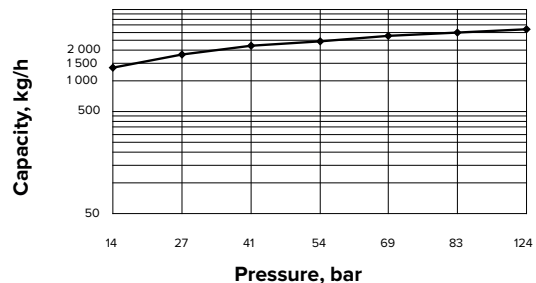


Table ST-184-2. Model SH-1500 Pressure/Temperature Rating

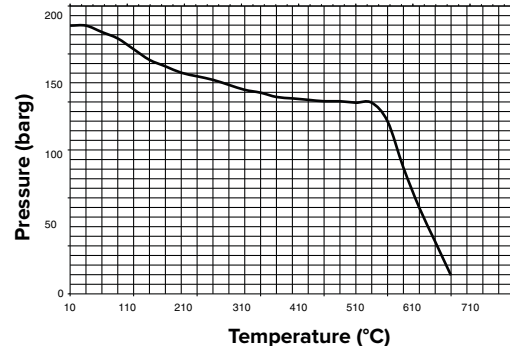


Table ST-184-3. SH Series

Model	SH-1500*	
	mm	
Pipe Connections	20	25
"B" (Height BW) in mm	129	129
"C" (Face-to-face BW - with extended nipples) in mm	157	157
"D" (Centerline to Top) in mm	98	98
"E" (Width) in mm	123	123
"F" (Face-to-face Flanged ANSI 1500#) in mm	475	481
"G" (Height Flanged ANSI 1500lbs) in mm	163	173
Weight in kg (BW)	10,4 kg	10,4 kg
Weight in kg (Flanged ANSI 1500#)	16,5 kg	18,5 kg

* Standard flanges are in carbon steel, stainless steel flanges are optional. Other flange sizes, ratings and face-to-face dimensions are available on request. All sizes comply with the Article 4.3 of the PED (2014/68/UE).

Maximum operating conditions

Maximum allowable pressure (vessel design): 124 bar @ 565°C
 Maximum operating pressure: 124 bar
 Maximum back pressure: 99% of inlet pressure
 Suggested minimum operating pressure: 41 bar

Table ST-184-4. Model SH-1500

Connections	20 – 25: Buttweld, Flanged EN 1092-1 or ASME B16.5
Material	
Body and Cap	ASTM 217 Gr. C12A
Valve	Titanium
Seat	Titanium
Bimetallic Elements	Nickel-chrome and stainless steel
Strainer	Stain Steel Screen

† May be derated depending on flange rating and type.

All dimensions and weights are approximate. Use certified print for exact dimensions. Design and materials are subject to change without notice.