



# Universal Stainless Steel Connector - IS-4

## Description

With the IS-4 universal connector, you can install a 4-bolt compatible steam trap to fit most piping configurations and applications. The IS-4 combines the integrity of an all welded installation with the versatility of a quick change steam trap replacement.

The IS-4 works with Armstrong Intelligent Monitoring (AIM™) to bring intelligence to wireless technology by applying smart devices to monitor critical plant applications in real time.

- Class 900 design
- All stainless steel construction
- Integral strainer
- Exceptional corrosion resistance
- Recessed gasket surface
- Three-year guarantee against defects in materials and workmanship (connector only)



IS-4

## Maximum Operating Conditions

Maximum allowable pressure (connector design):  
 IS-4 1 245 psig @ 900°F (85.8 barg @ 482°C)  
 IS-4BD 1 100 psig @ 800°F (75.8 barg @ 426°C)

## Materials and Weights

Body ASTM A351 Gr. CF8M  
 Screen Stainless steel  
 Screen retainer ASTM A351 Gr. CF8M  
 Retainer bolts ASTM A193 Gr. B16  
 Weights:  
 IS-4 4.75 lbs (2.15 kg)  
 IS-4BD 9.9 lbs (4.5 kg)

## 4-Bolt Connector Steam Traps Available

- SH4000 Series
- IB4022
- IB4011
- ID4500
- FF4700/4900
- CD4080

## Specification

All stainless steel in-line universal connector with integral strainer able to accept steam traps compatible with the 4-bolt technology. Up to Class 900 service.

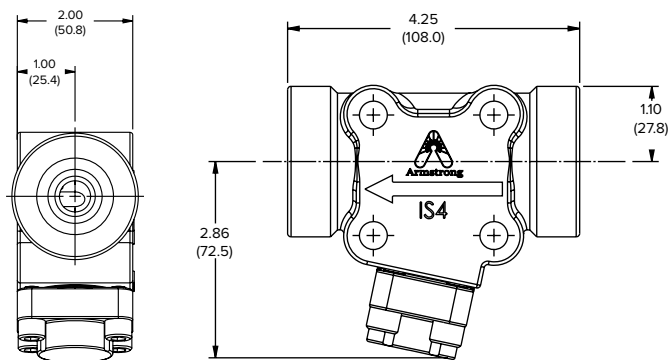
Steam Trapping and Steam Tracing Equipment

## How to order

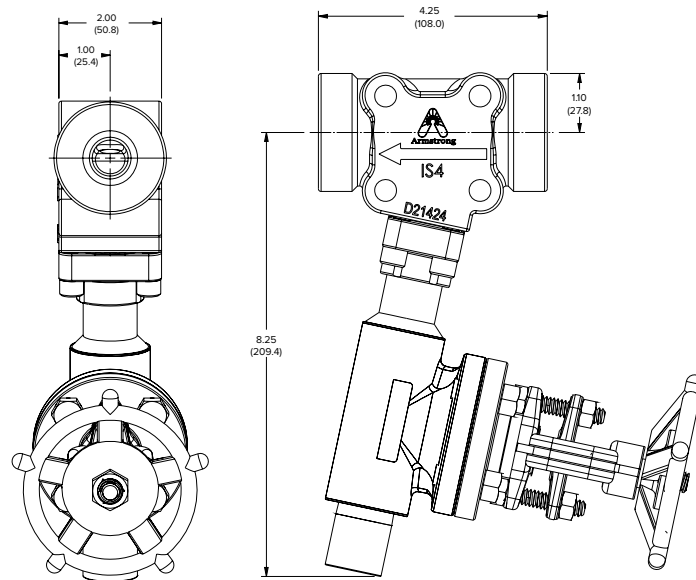
IS-4	3FL	900	R	DBB	DBB
Model	Connection Size/Type	Flanges	Flow Direction	Inlet Configuration	Outlet Configuration
IS-4 or IS-4BD	3NPT=3/4(20)NPTF 3SW=3/4(20)Socketweld 3FL=3/4(20)Flanged 4NPT=1(25)NPTF 4SW=1(25)Socketweld 4FL=1(25)Flanged	Class 600 Class 900	R=Right to Left L=Left to Right	None SB=Single Block DBB=Double Block & Bleed	None SB=Single Block DBB=Double Block & Bleed

### Notes:

1. IS-4BD includes Class 800 forged steel gate valve for blowdown service.
2. Connection Size/Type based on the system condensate supply and return requirements.
3. All connections for SB or DBB will be socketweld.
4. Flanges available in Class 600 and 900.
5. For Block & Bleed dimensions: Consult Factory



IS-4



IS-4BD