

GP-2000K-1, GP-2000K-3, GP-2000K-6



Air Loaded Valves for Steam

A high performance externally air piloted pressure reducing valve, the GP-2000K-1, GP-2000K-3, GP-2000K-6 is an ideal choice when set point changes are frequent and access to the PRV is difficult. The valve comes totally assembled and requires no field installation except downstream sensing line and air line connection.

High C_v , 20:1 turndown ratio and accurate control $\pm 1\%$ of pressure set point from 5% to 100% of flow. A rugged ductile iron body, hardened stainless steel working parts, double stainless steel diaphragms and in-line reparability add up to reliability on the job. Single seated for dead-end service.

Table PTC-257-1. GP-2000K-1, GP-2000K-3, GP-2000K-6 Specifications

Application	Inlet Pressure (barg)	Reduced Pressure (barg)	Maximum Temperature (°C)	Minimum Differential (barg)	Materials				
					Body	Main Valve / Seat	Pilot Valve / Seat	Diaphragm	Color
Steam	1 - 20*	K-1: 0.5 - 9 K-3: 2 - 14 K-6: 3 - 14	232	0,5	Ductile Iron ASTM A536	Stainless Steel AISI 420	Stainless Steel AISI 301	Stainless Steel AISI 301	Dark Gray

Table PTC-257-2. GP-2000K-1, GP-2000K-3, GP-2000K-6 Dimensions and Weights

Size	Face-to-Face		Cv	A ₁	F	H Integral**	H Remote	H ₁	A ₂ ***	Weight	
	BSPT	PN 25/40								PN 25/40	BSPT
	mm	mm								mm	mm
15 - 1/2"	150	150	5,0	200	175	335	300	170	82	18	16
20 - 3/4"	150	150	7,2	200	175	335	300	170	82	18	16
25 - 1"	160	160	10,9	226	179	341	305	175	82	22	20
32 - 1 1/4"	180	180	14,3	226	188	371	322	192	82	26	23
40 - 1 1/2"	180	200	18,8	226	188	371	322	192	82	27	23
50 - 2"	230	230	32,0	276	195	435	337	216	82	38	34
65 - 2 1/2"	—	290	60,0	352	211	489	391	251	82	67	—
80 - 3"	—	310	78,0	352	222	512	416	264	82	73	—
100 - 4"	—	350	120,0	401	239	595	505	321	82	115	—
150 - 6"	—	480	250,0	502	—	746	—	692	82	252	—

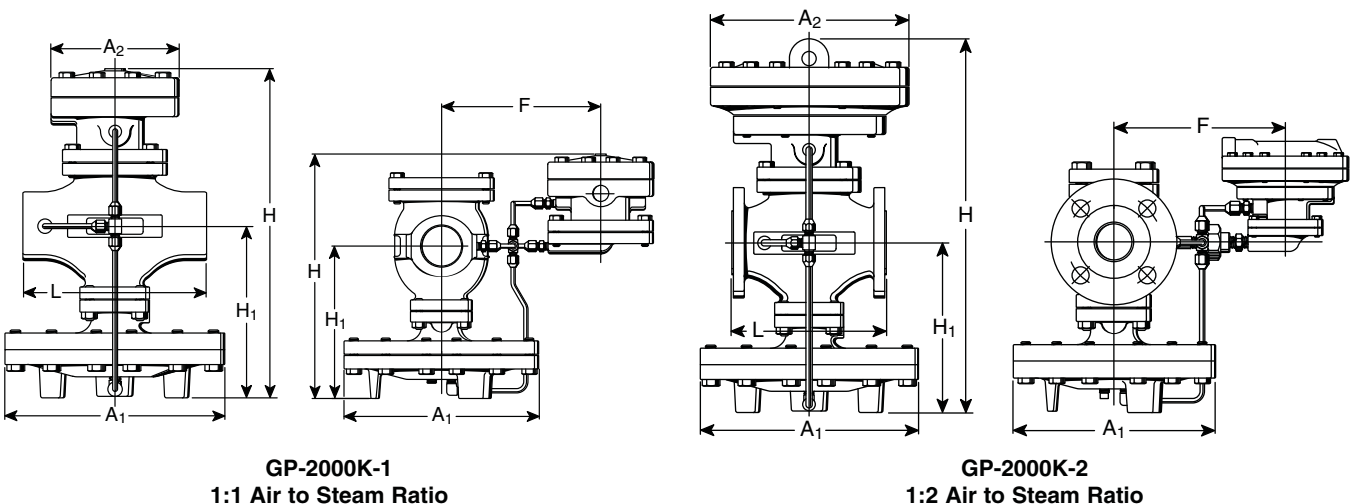
* All sizes comply with the article 4.3 of the PED (2014/68/UE), but PMA for DN65 is 15 bar, for DN80: 12,5 bar, for DN100: 10 bar and for DN150: 6,6 bar.

** The above given data are for GP-2000K-1. For GP-2000K-3 and GP-2000K-6 add 32 mm to "H" dimension.

*** The above given data are for GP-2000K-1. For GP-2000K-3 and GP-2000K-6, "A₂" dimension = 172 mm.

For capacities see page PTC-263.

External Sensing Line is not included as standard, but could be delivered on request. Internal Sensing Kit is also available.



All dimensions and weights are approximate. Use certified print for exact dimensions. Design and materials are subject to change without notice.