

### Air Loaded Valves for Steam

The GD-2000K is an ideal choice when set point changes are frequent, access to the valve is difficult and steam quality is poor. The GD-2000K comes with either NPT or flanged connections for quick, easy installation. It also comes with a durable ductile iron body and features double stainless steel diaphragms and hardened stainless working

parts, renewable in-line. High Cv and 10:1 turndown ratio. Single seated for dead-end service.

**For a fully detailed certified drawing, refer to:**  
**GD-2000K NPT** **CDY #1020**  
**GD-2000K Flanged** **CDY #1021**

#### GD-2000K Specifications

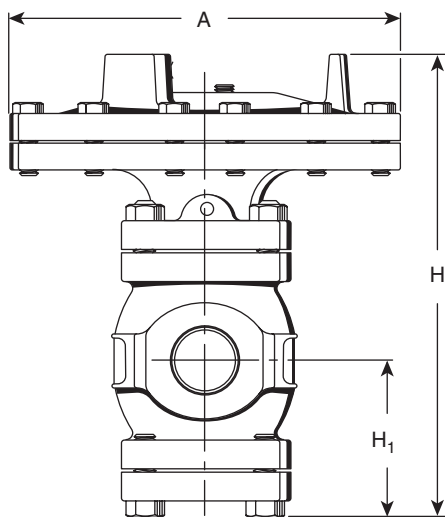
Application	Inlet Pressure psig (barg)	Reduced Pressure psig (barg)	Maximum Temperature °F (°C)	Minimum Differential psig (barg)	Materials			
					Body	Main Valve/Seat	Diaphragm	Color
Steam	NPT 15 - 300 (1 - 20)	7 - 200 (.48 - 13.8)	450 (232)	7 (.48)	Ductile Iron ASTM A536	Stainless Steel AISI 420	Stainless Steel AISI 301	Dark Gray
	150 lb Flanged 15 - 185 (1 - 13)							
	300 lb Flanged 15 - 300 (1 - 20)							

#### GD-2000K Dimensions and Weights

Size		Face-to-Face						H <sub>1</sub>		H		A		Weight						C <sub>v</sub> *		
		NPT		150#		300#								NPT		150#		300#				
in	mm	in	mm	in	mm	in	mm	in	mm	in	mm	in	mm	lb	kg	lb	kg	lb	kg	lb	kg	
1/2	15	5-15/16	150	—	—	—	—	2-7/8	74	9-5/8	244	7-15/16	200	27	13	—	—	—	—	—	—	5.0
3/4	20	5-15/16	150	—	—	—	—	2-7/8	74	9-5/8	244	7-15/16	200	27	13	—	—	—	—	—	—	7.2
1	25	6-5/16	160	—	—	—	—	3-1/16	76	10	251	8-15/16	226	35	17	—	—	—	—	—	—	10.9
1-1/4	32	7-1/8	180	—	—	—	—	3-1/2	90	11-1/8	282	8-15/16	226	43	20	—	—	—	—	—	—	14.3
1-1/2	40	7-1/8	180	—	—	—	—	3-1/2	90	11-1/8	282	8-15/16	226	43	20	—	—	—	—	—	—	18.8
2	50	9-1/8	230	8-9/16	217	9-1/8	232	4-1/2	114	12-5/8	319	10-15/16	276	66	31	72	34	73	34	78	34	32.0
2-1/2	65	—	—	10-15/16	278	11-1/2	292	4-3/4	122	14-3/4	373	13-13/16	352	—	—	135	62	136	62	62	60.0	
3	80	—	—	11-3/4	298	12-7/16	315	5-1/2	140	15-3/4	399	13-13/16	352	—	—	146	67	152	69	78.0	78.0	
4	100	—	—	13-1/2	343	14-1/8	359	6-1/2	167	19-1/4	488	15-13/16	401	—	—	230	105	240	109	120.0	120.0	

\*50% reduced port available for sizes 1/2" - 4". The Cv value should be divided by 2 to get reduced port Cv.

**For capacities see page 305.**  
**For air loading chart see page 301.**



GD-2000K

