



EM Series Inverted Bucket Steam Traps

Forged Carbon Steel for Horizontal Installation

For Pressures to 454 psig (32 bar)...Capacities to 1,058 lb/hr (480 kg/hr)

Steam Trapping and
Steam Tracing Equipment

Description

Armstrong's type EM forged steel inverted bucket steam trap combines the most reliable steam trap operating principle known in a body, which can be opened for Easy Maintenance.

High resistance to wear, corrosion and water hammer.

The free-floating guided lever valve mechanism is "frictionless" with all wear points heavily reinforced. All working parts are stainless steel; valve and seat are hardened chrome steel, individually ground and lapped.

Freedom from dirt problems. Condensate flow under bottom edge of bucket keeps sediment and "sludge" in suspension until discharged by full differential purging action. Valve orifice opens wide - closes tight. There is no buildup of dirt, no close clearances to be affected by scale. Under normal conditions of reasonably "clean steam", a strainer is not necessary. However, this is left to the user's discretion.

Air handling ability. Vent in bucket top provides continuous automatic air and CO2 venting with no cooling leg and prevents air binding. Wiggle wire ensures clean vent hole at all times. Any steam passing through vent is condensed and discharged as liquid.

No steam loss. Steam does not reach the water sealed valve.

Inverted bucket traps require no adjustment and no live steam to operate.



Maximum operating conditions

Maximum allowable pressure

(vessel design):

464 psi @ 482°F
(32 bar @ 250°C)

Maximum operating pressure:

464 psi (32 bar)

Maximum back pressure:

99% of inlet pressure

Connections

Screwed BSPT and NPT

Socketweld

Flanged DIN or ANSI (welded)

Materials

Body:

Forged carbon steel

Internals:

All stainless steel – 304

Valve and seat:

Hardened chrome steel – 440F

Gasket:

Spiral wound graphite

Bolts:

24 CrMo5

Options

- Bucket vent scrubbing wire for heavy dirt/oil conditions
- For superheated steam we advise stellited valve and seat

How to order

Specify:

- Size and type of pipe connection
- Max. working pressure that will be encountered or orifice size
- Max. condensate load
- Any options required

Designs, materials, weights and performance ratings are approximate and subject to change without notice. Visit armstronginternational.com for up-to-date information.

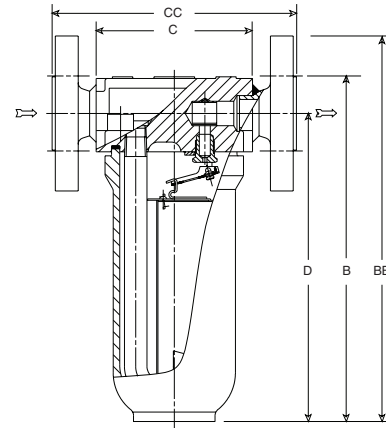
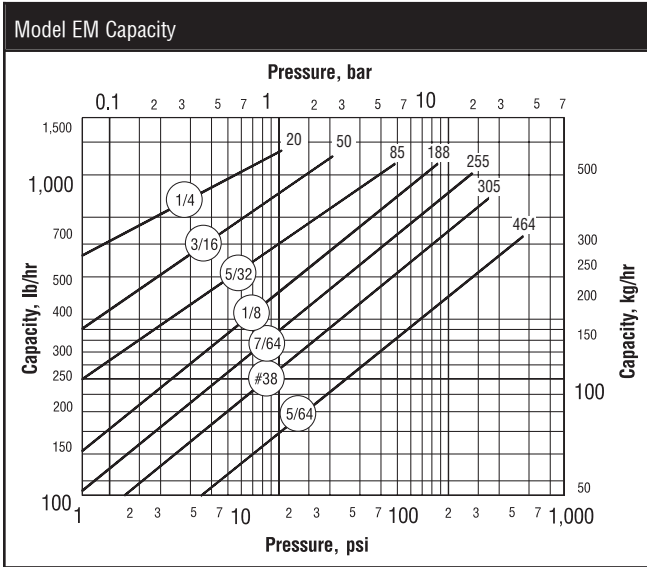
EM Series Inverted Bucket Steam Traps

Forged Carbon Steel for Horizontal Installation

For Pressures to 454 psig (32 bar)...Capacities to 1,058 lb/hr (480 kg/hr)



Steam Trapping and
Steam Tracing Equipment



Model EM Side Inlet, Side Outlet Trap (dimensions in mm)

Pipe Connections	in	mm	in	mm	in	mm
	1/2	15	3/4	20	1	25
"C" Face-to-Face (screwed & SW)	3-5/8	92	3-5/8	92	—	—
"CC" Face-to-Face (flanged ANSI CL150)	6-3/4	171	7	178	7-1/4	184
"CC" Face-to-Face (flanged ANSI CL300)	7	178	7-3/8	187	7-3/4	197
"D" Bottom to C Inlet	7-7/16	189	7-7/16	189	7-7/16	189
"B" Height (screwed & SW)	8-1/4	210	8-1/4	210	—	—
"BB" Height (flanged*)	9-1/4	235	9-7/16	240	9-5/8	245
Weight, screwed, lb (kg)	6.8 (3.1)		6.8 (3.1)		—	
Weight, flanged, lb (kg)	12 (5.5)		15.7 (7.1)		18 (8.1)	

Designs, materials, weights and performance ratings are approximate and subject to change without notice. Visit armstronginternational.com for up-to-date information.