



# Inverted Bucket Drain Traps (BVSW Model)

For Loads to 7,000 lb/hr (3,175 kg/hr)...Pressures to 650 psig (45 bar)

Armstrong inverted bucket drain traps are designed for systems where heavy oil and dirt may be encountered. The enlarged bucket vent equipped with a scrub wire (BVSW) keeps the drain trap operating under dirty conditions.

## List of Materials

BVSW Model No.	Body & Cap	Valve & Seat	Bucket & Leverage System	Gasket
800, 811, 812, 813, 880, 881, 882, 883, 211, 212, 213	Cast Iron ASTM A48 Class 30	Stainless Steel		Compressed Asbestos-free
312, 313	Forged Steel ASTM A105			
981, 983	Cast Steel ASTM A216 Grade WCB			



## Physical Data

Model No.	800 BVSW 880 BVSW		811 BVSW 881 BVSW 211 BVSW		812 BVSW 882 BVSW 212 BVSW		312 BVSW*		813 BVSW 883 BVSW 213 BVSW* 313 BVSW* 983 BVSW*		981 BVSW*		
	in	psi	bar	psi	bar	psi	bar	psi	bar	psi	bar	psi	bar
1/4	—	—	—	—	—	—	—	—	—	125	8.5	—	—
7/32	—	—	—	—	—	—	—	—	—	180	12.5	—	—
3/16	—	—	—	—	—	—	—	—	—	250	17	50	3.5
5/32	—	—	—	—	125	8.5	—	—	—	450	31	85	6
1/8	80	5.5	125	8.5	200	14	—	—	—	600	41	170	11
7/64	125	8.5	200	14	250	17	600	41	—	—	—	250	17
#38	150	10.5	250	17	—	—	—	—	—	—	—	330	22.5

NOTE: Larger capacity models available. Consult your local Armstrong Representative or the Armstrong factory.

\* Use steel traps for pressures above 250 psi (17 bar).

Model No.	800 BVSW		811 BVSW		812 BVSW		813 BVSW	
Pipe Connections	in	mm	in	mm	in	mm	in	mm
Test Plug	1/4	6	1/4	6	1/2	15	3/4	20
"A"	3-3/4	95	3-3/4	95	5-5/8	143	7	178
"B"	5-7/16	138	6-7/8	175	9-1/16	230	11-3/4	298
"C"	5	127	5	127	6-1/2	165	7-3/4	197
"D"	2-3/4	70	4-1/4	108	5-3/8	137	7-1/32	179
Number of Bolts	6		6		6		6	
Weight lbs (kg)	5 (2.3)		6 (2.7)		15 (6.8)		27-1/2 (13)	
Maximum Allowable Pressure (Vessel Design)	250 psig @ 450°F (17 bar @ 232°C)							
Max. Operating Pressure psi (bar)	150 (10.5)				250 (17)			

NOTE: Larger capacity models available. Consult your local Armstrong Representative or the Armstrong factory.

Designs, materials, weights and performance ratings are approximate and subject to change without notice. Visit [armstronginternational.com](http://armstronginternational.com) for up-to-date information.

Liquid Drainers

# Inverted Bucket Drain Traps (BVSW Model)

For Loads to 7,000 lb/hr (3,175 kg/hr)...Pressures to 650 psig (45 bar)



## Physical Data

Model No.	Cast Iron								Cast Steel			
	880 BVSW		881 BVSW		882 BVSW		883 BVSW		981 BVSW		983 BVSW	
Pipe Connections	in	mm	in	mm	in	mm	in	mm	in	mm	in	mm
Pipe Connections	1/2, 3/4	15, 20	1/2, 3/4, 1	15, 20, 25	1/2, 3/4	15, 20	3/4, 1, 1-1/4	20, 25, 32	1/2, 3/4	15, 20	3/4, 1	20, 25
Test Plug	1/4	6	1/4	6	1/2	15	3/4	20	1/2	15	3/4	20
"A"	3-3/4	95	3-3/4	95	5-5/8	143	7	178	4-1/2	114	7-1/4	184
"B"	6-1/16	154	7-1/16	179	9-3/8	244	12-3/8	314	8-5/8	219	12-15/32	313
"C"	5	127	5	127	6-1/2	165	7-7/8	200	5-3/8	137	7-3/4	197
"D"	3-7/16	87.3	4-7/16	113	5-3/4	146	7-3/8	187	4-13/16	122	7-9/16	192
Number of Bolts	6		6		6		6		6		6	
Weight lbs (kg)	5-1/2 (2.5)		6 (2.7)		15-1/2 (7)		31 (14)		11-1/2 (5)		43 (20)	
Maximum Allowable Pressure (Vessel Design)	250 psig @ 450°F (17 bar @ 232°C)								600 psig @ 650°F (41 bar @ 343°C)			
Max. Oper. Pressure psi (bar)	150 (10.5)				250 (17)				330 (22.5)		600 (41)	

NOTE: Larger capacity models available. Consult your local Armstrong Representative or the Armstrong factory.

Model No.	Cast Iron						Forged Steel			
	211 BVSW		212 BVSW		213 BVSW		312 BVSW		313 BVSW	
Pipe Connections	in	mm	in	mm	in	mm	in	mm	in	mm
Pipe Connections	1/2	15	1/2, 3/4	15, 20	1/2, 3/4, 1	15, 20, 25	1/2, 3/4, 1	15, 20, 25	1/2, 3/4, 1	15, 20, 25
Test Plug	1/8	3	3/8	10	1/2	15	—	—	—	—
"A"	4-1/4	108	5-1/4	133	6-3/8	162	6-3/4	171	8	203
"B"	6-3/8	162	8-3/4	222	10-3/4	273	10-3/16	259	11-1/2	292
"G"	—	—	—	—	—	—	4-3/4	121	5-1/8	130
"K" (Q Outlet to Q Inlet)	—	—	—	—	—	—	1-1/4	31.7	1-7/16	36.5
Number of Bolts	6		8		6		6		8	
Weight lbs (kg)	6 (2.7)		11-1/2 (5.2)		20-1/4 (9.2)		30 (14)		50 (23)	
Maximum Allowable Pressure (Vessel Design)	250 psig @ 450°F (17 bar @ 232°C)						600 psig @ 650°F (41 bar @ 343°C)		1,080 psig @ 650°F (75 bar @ 343°C)	
Max. Oper. Pressure psi (bar)			250 (17)				600 (41)		650 (45)	

NOTE: Larger capacity models available. Consult your local Armstrong Representative or the Armstrong factory.

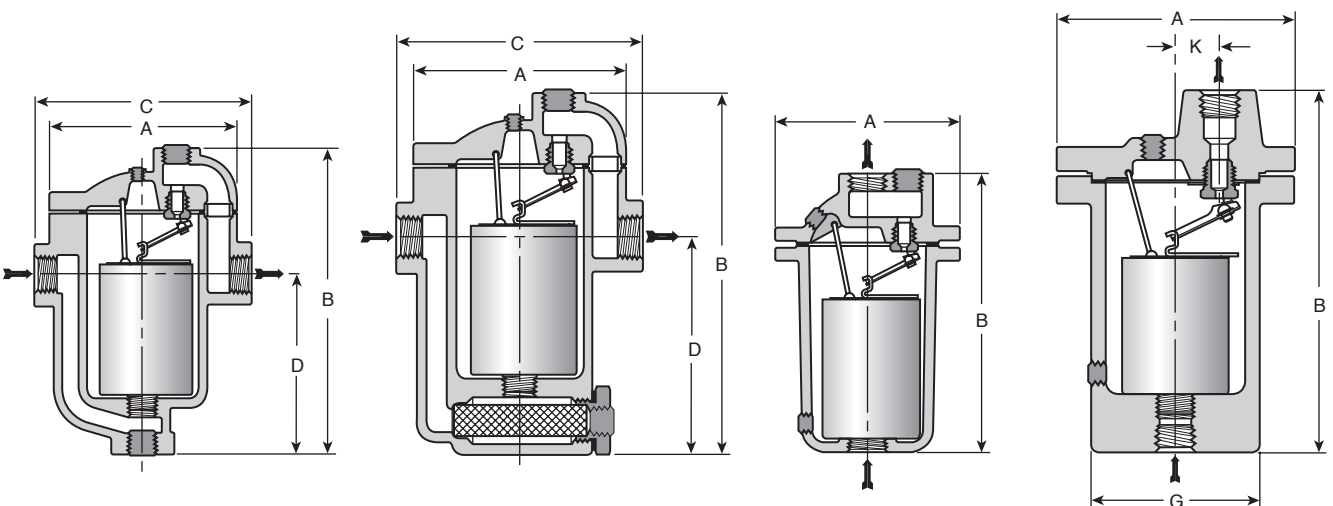


Figure LD-29.  
Series 800

Figure LD-30.  
Series 880 & 980

Figure LD-31.  
Series 200

Figure LD-32.  
Series 300

Designs, materials, weights and performance ratings are approximate and subject to change without notice. Visit [armstronginternational.com](http://armstronginternational.com) for up-to-date information.