



# 4000 Series Inverted Bucket Steam Trap

All Stainless Steel With IS-4 4-Bolt Connector

For Pressures to 650 psig (45 bar)...Capacities to 1,300 lb/hr (590 kg/hr)

Steam Trapping and Steam Tracing Equipment

## Description

With the 4000 Series IS-4 connector, you can install 4-bolt compatible inverted bucket efficiency and long service life in any piping configuration with little or no repiping. You get the reliability of the inverted bucket operating principle, plus all the benefits of all-stainless steel construction:

- A sealed, tamperproof package
- A compact, lightweight trap
- The ability to withstand freeze-ups without damage
- Exceptional corrosion resistance
- A three-year guarantee against defective materials, defective workmanship.

4000 Series steam traps combine savings in three important areas: energy, installation and replacement. The 4-bolt connector provides quick, easy in-line replacement along with all the proven advantages of inverted bucket operation.

## Maximum Operating Conditions

Maximum allowable pressure (vessel design):

Model IB4011:	400 psig @ 800°F (28 bar @ 427°C)
Model IB4022:	650 psig @ 600°F (45 bar @ 315°C)
	627 psig @ 700°F (43 bar @ 371°C)
	600 psig @ 800°F (41 bar @ 427°C)

Maximum operating pressure:

Model IB4011:	400 psig (28 bar)
Model IB4022:	650 psig (45 bar)

## Connections

- Screwed NPT
- Socketweld
- Flanged (consult factory)

## Materials

Body:	ASTM-A 240 Grade 304L
Internals:	All stainless steel—304
Valve and seat:	Hardened chrome steel—17-4PH or Titanium
Connector body:	ASTM A351 Gr. CF8M

## Options

- Stainless steel pop drain for Models 4011/4022
- Probe connection for Models 4011/4022
- Wiggle wire

## Connector Styles

- Standard with strainer
- With strainer blowdown valve
- With block/bleed valves

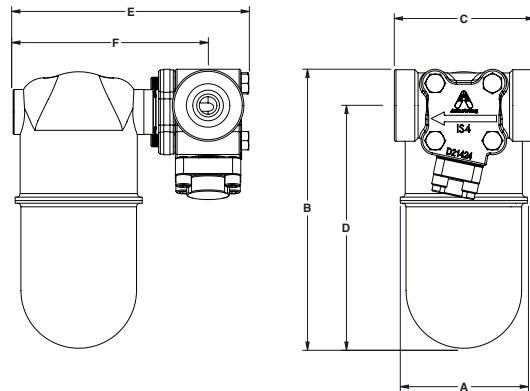
## Specification

Inverted bucket steam trap, type ... in all stainless steel, freeze resistant, with 360° universal connector, having continuous air venting at steam temperature, free-floating stainless steel mechanism, and orifice at the top of the trap.

## How to Order

Specify:

- Model number
- Size and type of pipe connection
- Maximum working pressure that will be encountered or orifice size
- Any options required



Model IB4022 Trap With IS-4 Connector

### 4000 Series Traps With Standard IS-4 Connector

Model No.	IB4011				IB4022			
	in	mm	in	mm	in	mm	in	mm
Pipe Connections	3/4	20	1	25	3/4	20	1	25
"A" (Diameter)	2-11/16	68	2-11/16	68	3-7/8	98	3-7/8	98
"B" (Height)*	6-15/16	176	6-15/16	176	8-11/16	221	8-11/16	221
"C" (Face to Face)	4-1/4	108	4-1/4	108	4-1/4	108	4-1/4	108
"D" (Bottom to $\phi$ )*	6	152	6	152	7-3/4	197	7-3/4	197
"E" (Outside to Bolt)	6-1/8	156	6-1/8	156	7-5/16	186	7-5/16	186
"F" ( $\phi$ to Outside)	4-15/16	125	4-15/16	125	6-1/8	156	6-1/8	156
Weight lb (kg)	7-3/4 (3.5)				10-3/4 (4.9)			

\*Add 1/2" (15 mm) to "B" and "D" dimensions when optional probe connection is required.

Designs, materials, weights and performance ratings are approximate and subject to change without notice. Visit [armstronginternational.com](http://armstronginternational.com) for up-to-date information.

# 4000 Series Inverted Bucket Steam Trap

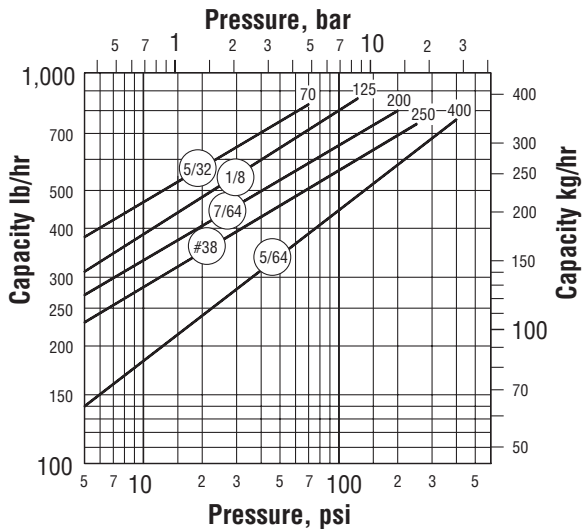
All Stainless Steel With IS-4 Connector

For Pressures to 650 psig (45 bar)...Capacities to 1,300 lb/hr (590 kg/hr)

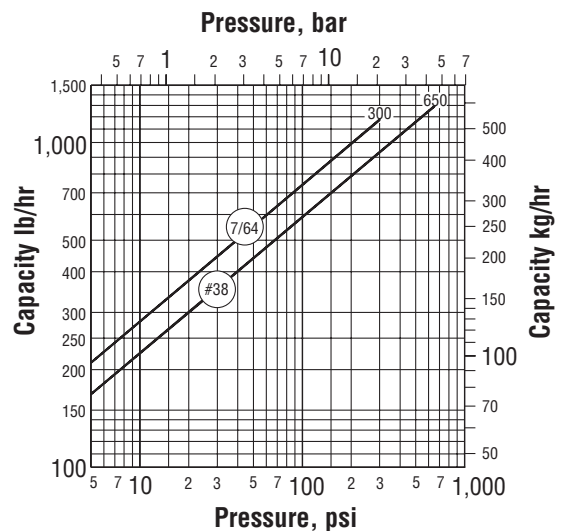


Steam Trapping and  
Steam Tracing Equipment

**Model IB4011 Capacity**



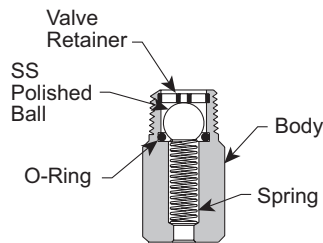
**Model IB4022 Capacity**



## Options

### Pop Drain for Freeze Protection

In general, a properly selected and installed Armstrong trap will not freeze as long as steam is coming to the trap. If the steam supply is shut off, a pop drain should be used to automatically drain the trap. Stainless steel pop drain available for Models 4011 and 4022.



### Maximum Operating Conditions

Pressure: 600 psig (41 bar)  
Temperature: 350°F (177°C)

Designs, materials, weights and performance ratings are approximate and subject to change without notice. Visit [armstronginternational.com](http://armstronginternational.com) for up-to-date information.