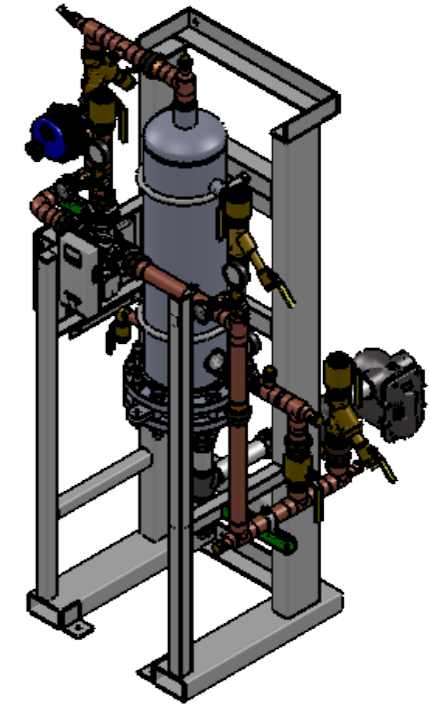


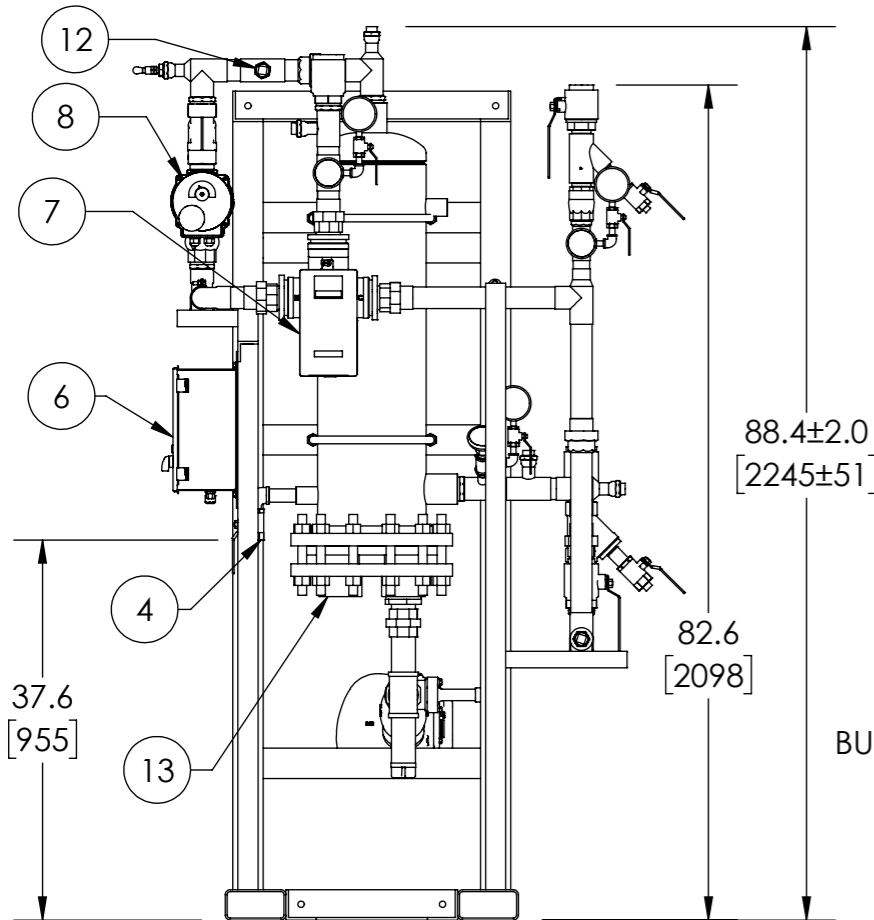
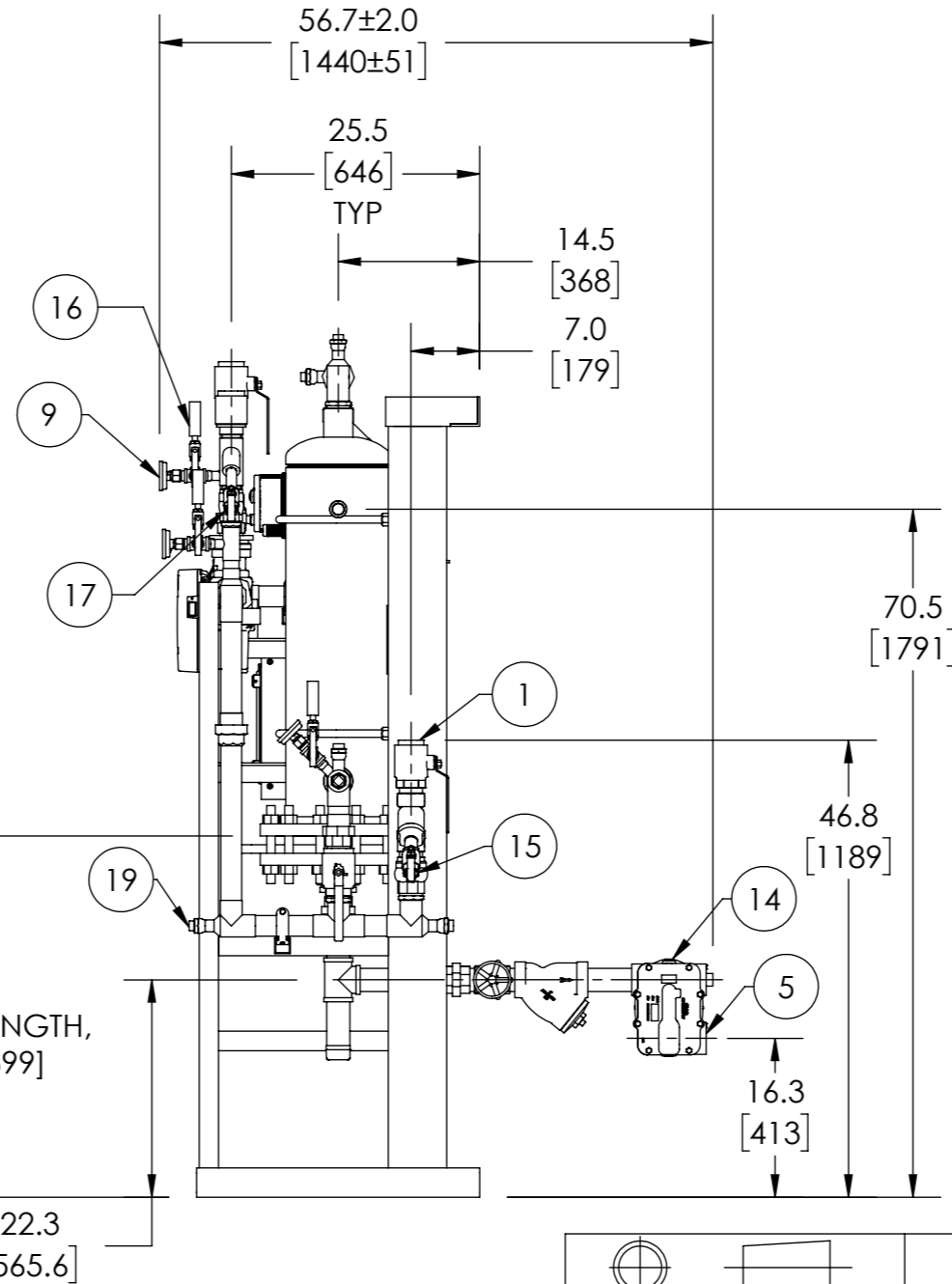
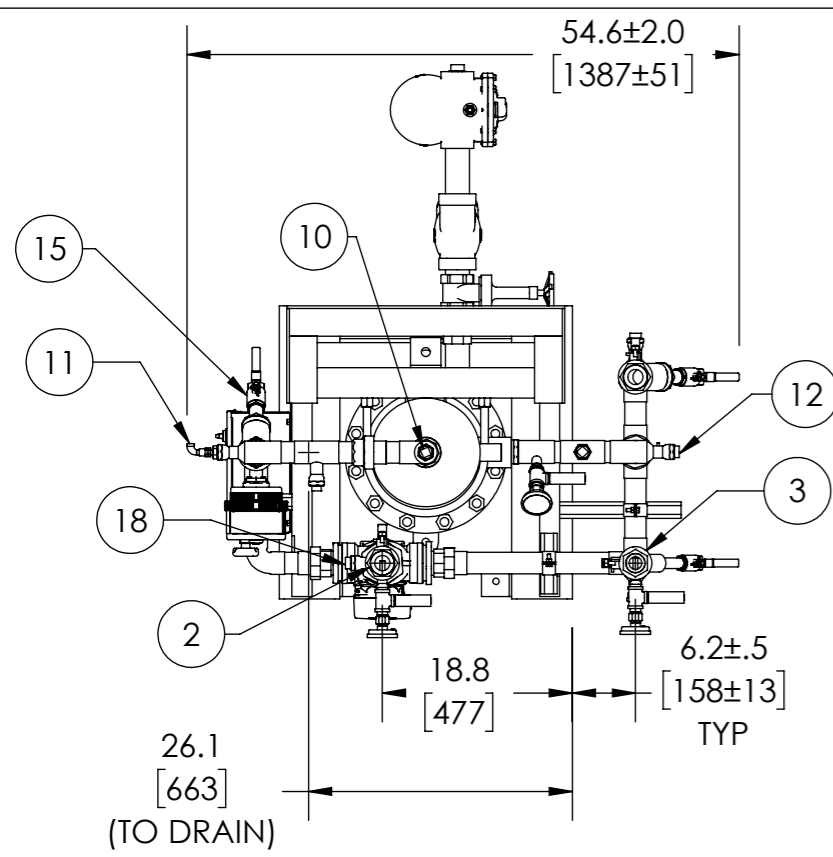
APPROVAL

BY: _____ DATE: _____

- APPROVED, PROCEED WITH FABRICATION
- APPROVED AS NOTED, PROCEED WITH FABRICATION IN ACCORDANCE WITH COMMENTS
- DISAPPROVED, DO NOT FABRICATE



**DIGITAL FLO SEMI INSTANTANEOUS
DOUBLE WALL**



ITEM	DESCRIPTION	CONNECTION
1	COLD WATER INLET	2" NPT
2	MIXED WATER OUTLET	2" NPT
3	RECIRC WATER INLET	1-1/2" NPT
4	DRAIN	1" NPT
5	CONDENSATE OUTLET	2" NPT
6	ELECTRICAL PANEL	110VAC @1.2A
7	DRV80	2" NPT
8	N.C. ACTUATED BALL VALVE SAFETY SHUT OFF	2" NPT
9	THERMOMETER (3)	1/2" NPT
10	SRV CONNECTION (PRESSURE ONLY; USER SUPPLIED)	1" NPT
11	SRV (PRESSURE) PIPE TO DRAIN	1/4" NPT
12	CIP CONNECTION(2)	1" NPT
13	STEAM INLET	3" NPT
14	VACUUM BREAKER	1/2" NPT
15	BLOW DOWN(2)	1" NPT
16	PRESSURE GAUGE (3)	1/4" NPT
17	BLOW DOWN	3/4" NPT
18	SRV (CONNECTION FOR USER SUPPLIED T&P)	1" NPT
19	DRAIN OR EXPANSION TANK CONNECTION	1" NPT

ITEM	MATERIAL	
	PIPING	COPPER TYPE "L"
	EXCHANGER SHELL MATL.	DUPLEX 2205 SS
	EXCHANGER TUBING MATL.	COPPER
	INSULATION JACKET	REMOVEABLE JACKET

- NOTE(S):
- ALL DIMENSIONS +/-0.5 [13] UNLESS OTHERWISE SHOWN.
 - COMPLETE ASSEMBLY LEAD FREE COMPLIANT - THE WETTED SURFACE OF THIS PRODUCT CONTACTED BY CONSUMABLE WATER CONTAINS LESS THAN ONE QUARTER OF ONE PERCENT (0.25%) OF LEAD BY WEIGHT.
 - PACKAGE INCLUDES ALL REQUIRED INLET CHECK VALVES AND STRAINERS ON DOMESTIC SIDE.
 - DRV, SAFETY SHUT OFF AND ELECTRICAL PANEL ARE PREWIRED TO PROVIDE A SINGLE ELECTRICAL LANDING POINT AT THE PANEL.

DO NOT SCALE DRAWING TOLERANCES UNLESS OTHERWISE SPECIFIED			
DIMENSIONING ENGLISH [mm]			
FRACTIONAL ± 1/64 ANGULAR: ± 2			
DECIMAL	.XXX ± .005	.IN.	.MM
	.XX ± .015		.10
	.X		.3

NAME	DATE
CFG	5/18/2015

ARMSTRONG INTERNATIONAL
Copyright © 2010 ARMSTRONG INTERNATIONAL, INC.

DFS50DW50BS

MATERIAL	SHEET 1 OF 1
REV A	SALES