

## REGISTRATION OF A PRESSURE FITTING DESIGN

15-Sep-21

AAOne  
P. O. Box 91072  
Burnhamthorpe Rd.  
Toronto, ON  
M9C 5N5

**Attention:** Emma Smith

**File Number:** 12211 [ 0 F ]

**Re: Manufacturer:** Armstrong International Inc.  
**Item:** PT-104 Pump Trap  
**Catalog or Drawing:** Per Scope of CRN Registration & Supporting Drawings

TSASK Codes and Standards Compliance has registered the design listed above in accordance with The Boiler and Pressure Vessel Act and Regulations and CSA B51. The Canadian Registration Number (CRN) is:

**OH14860.53                      Expiry Date: August 5, 2031**

Please note that every fitting shall be constructed in strict accordance with the registered design.

Fitting registrations are required to be resubmitted for validation after ten (10) years from the registration date in accordance with CSA B51, Clause 4.2.1.

Should you require anything further, please do not hesitate to contact the Codes and Standards Compliance Office at your convenience.

Yours truly,



Athan Syrgiannis, P.Eng.  
Codes and Standards Compliance

### Remarks:

A valid quality control program must be maintained at the production facility for the fitting registration to remain valid until the expiry date.

CRN issuance based upon registration by another province.

Registered drawings: CDF1028, FH1368, FH1400, FH1401

**Statutory Declaration (Registration of Filings)**


**TSK-1008**

**I. Declaration Information**

I. Andy Schirk  
Global Quality Director  
(company title, e.g. vice president, plant manager, chief engineer)  
(must be in a position of authority in the manufacturing plant where the fitting is produced)

of: Armstrong International, Inc.,  
(name of manufacturer)

In this space, show facsimile of manufacturer's logo or trademark as it will appear on the fitting



located at: 816 Maple St. Three Rivers, MI 49093  
(Plant Address - Apt/Street) (City, Prov) (Postal Code)

do solemnly declare that the fittings listed hereinunder, which are subject to the **Saskatchewan Boiler and Pressure Vessel Safety Act** (check one)

Comply with the requirements of \_\_\_\_\_ which specifies the dimensions, Materials of construction, pressure / temperature ratings and identification marking of the fittings, or  
(title of recognized North American Standard)

Are not covered by the provisions of a recognized North American standard and are therefore manufactured to comply with ASME B31.1 & B31.3 as supported by the attached data which identifies the dimensions, materials of construction, pressure / temperature ratings and the basis for such ratings, and the marking of the fittings for identification.

I further declare that the manufacturer of these fittings is controlled by a quality control program which has been verified by the following authority, HSB Registration Services as being suitable for the manufacturer of these fittings to the stated standard. The fittings covered by this declaration, for which I seek registration, are category H

In support of this application, the following information, calculations and / or test data are attached:  
Model PT-104 See page two for document listing.

**II. Declaration**

DECLARED before me at Three Rivers, MI In the County of St. Joseph  
this 9<sup>th</sup> day of June, 2021

ROBERTA MARIE RYAN  
Notary Public, St. Joseph County, MI  
(print name) My Commission Expires Sept. 13, 2024

Andy Schirk  
(Signature)

Roberta Marie Ryan  
(Signature of Commissioner of Oaths)

**III. Office Use Only**

To the best of my knowledge and belief, the application meets the requirements of the **Boiler and Pressure Vessel Safety Act** and CSA B51, Clause 4.2, and is accepted for registration in Category \_\_\_\_\_

(Date Registered - MM DD YYYY) \_\_\_\_\_ (Expiry Date - MM DD YYYY) \_\_\_\_\_  
(For the Administrator / Chief Inspector)



**Technical  
Safety Authority  
of Saskatchewan**

Registration No. OH14860.53  
File No. 12211  
Registered  
Date: September 15, 2021  
Expiry Date: August 5, 2031


Codes & Standards Compliance Office



Armstrong International, Inc.

816 Maple Street, Three Rivers, Michigan 49093 USA Phone: (269) 273-1415 Ž Fax: (269) 278-6555

## Scope of CRN Registration

Design Code:	ASME B31.1, B31.3
Product	PT-104
Main drawing:	CDF1028
Pressure and Temp.	90 psi @ 406. °F   MDMT -20°F
Logo	
QA locations:	Armstrong International 816 Maple Street Three Rivers, MI 49093

 <b>Technical Safety Authority of Saskatchewan</b>
Registration No. <u>OH14860.53</u>
File No. <u>12211</u>
<div style="border: 1px solid black; padding: 2px; display: inline-block;">Registered</div>
Date: <u>September 15, 2021</u>
Expiry Date: <u>August 5, 2031</u>
<a href="#">Codes &amp; Standards Compliance Office</a>



Armstrong International, Inc.

816 Maple Street, Three Rivers, Michigan 49093 USA Phone: (269) 273-1415 Ž Fax: (269) 278-6555

Page 2 (Continued from Statutory Declaration)

In support of the application, the following information and/or test data are attached as follows:

CATALOG PAGE: PT-104 Series Mini Pump Trap

Drawings: CDF1028, FH1368, FH1400, FH1401

Burst Calculations

Material Certificate

T.R.No.70305 Suppl – Third Party Witness: Hydro

INSPECTOR CREDENTIALS

ISO 9001:2015

	<b>Technical Safety Authority of Saskatchewan</b>
Registration No.	OH14860.53
File No.	12211
	<b>Registered</b>
Date:	September 15, 2021
Expiry Date:	August 5, 2031
Codes & Standards Compliance Office	

# DIMENSIONS & DATA CERTIFIED FOR:

Representative:

Order:

Customer:

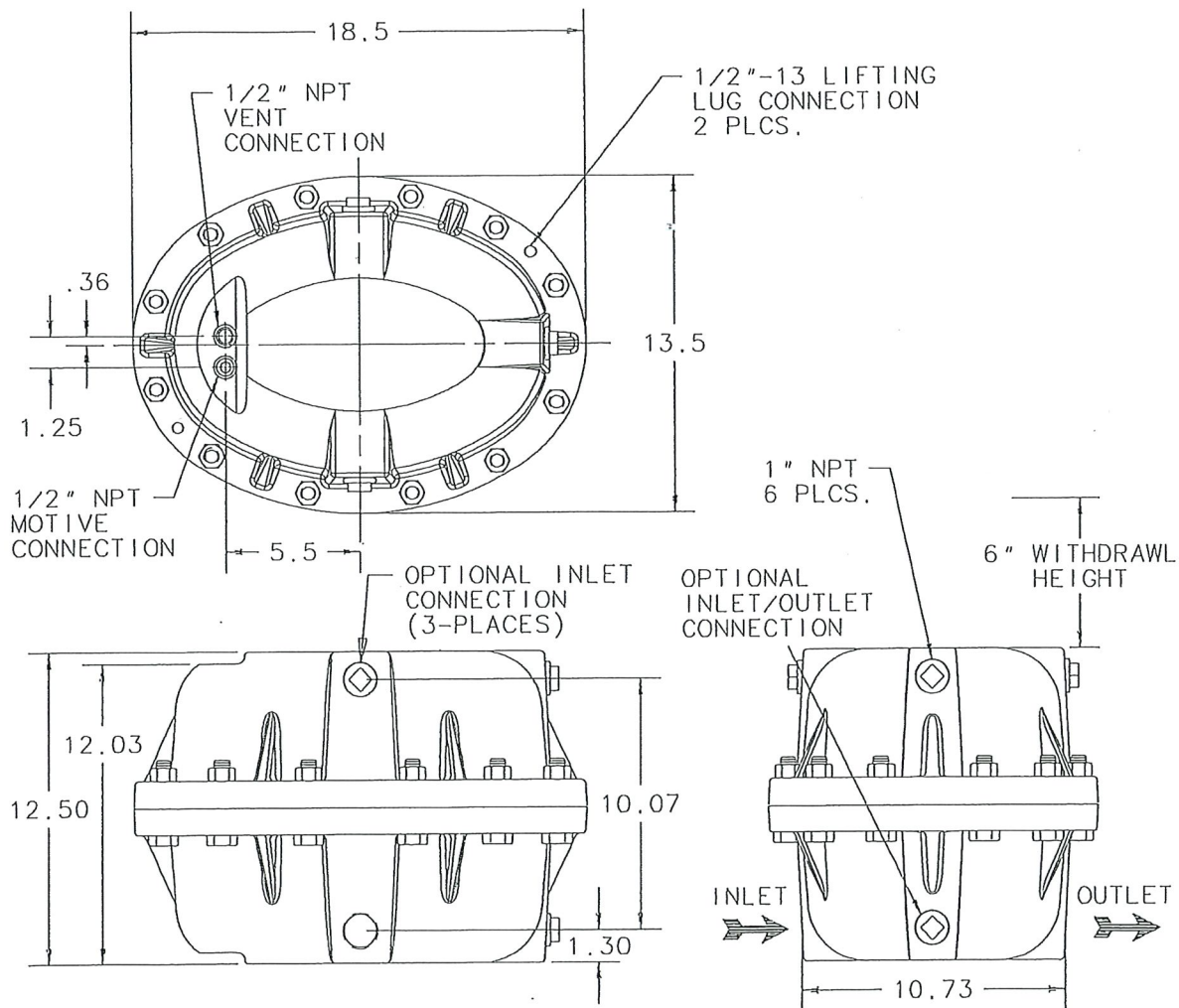
Order:

Project:

Requirements:


By:

Date:




**Technical Safety Authority of Saskatchewan**

Registration No. OH14860.53  
 File No. 12211  
 Registered  
 Date: September 15, 2021  
 Expiry Date: August 5, 2031  
Codes & Standards Compliance Office


**Armstrong Fluid Handling, Inc.**  
 Three Rivers, MI. 49093  
 Telephone (269) 278-6500  
 Fax (269) 279-3150

Product	CDF No.	Date
PUMP TRAP PT-104	CDF 1028	10/9/02
		Rev. B

Technical Safety Authority  
Of Saskatchewan

Registration No. CHI14860.53  
File No. 12211

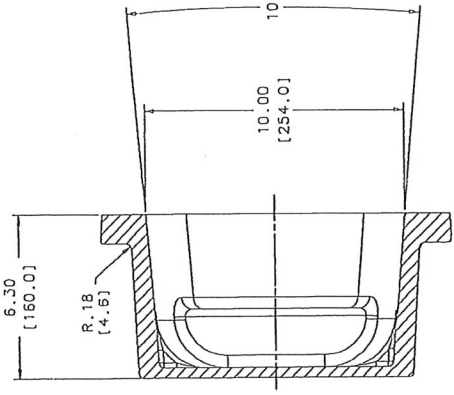
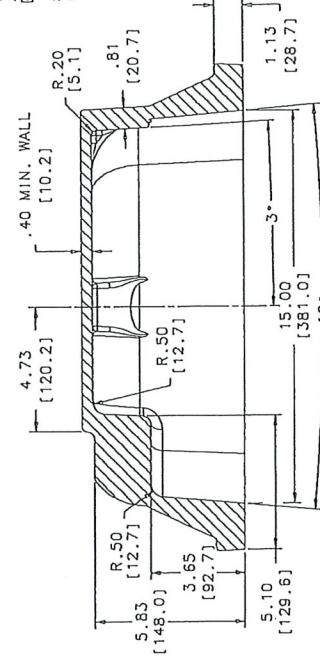
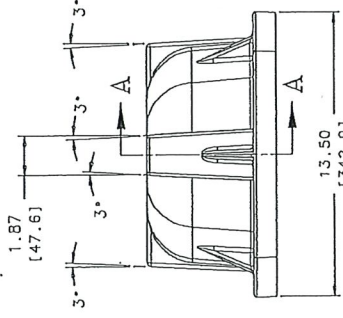
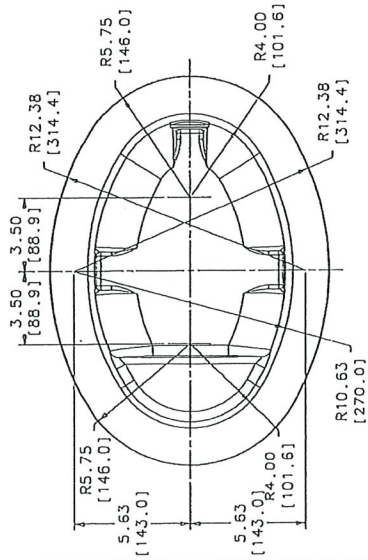
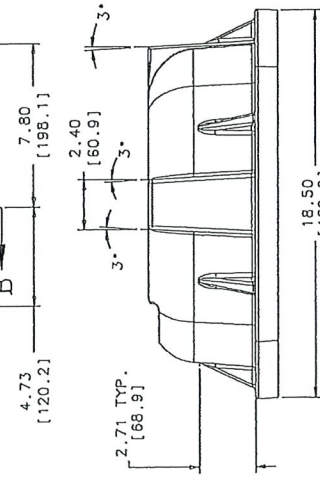
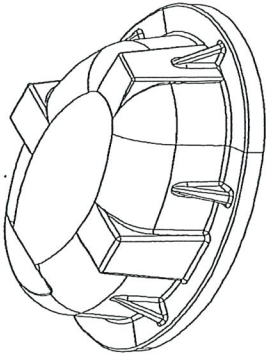
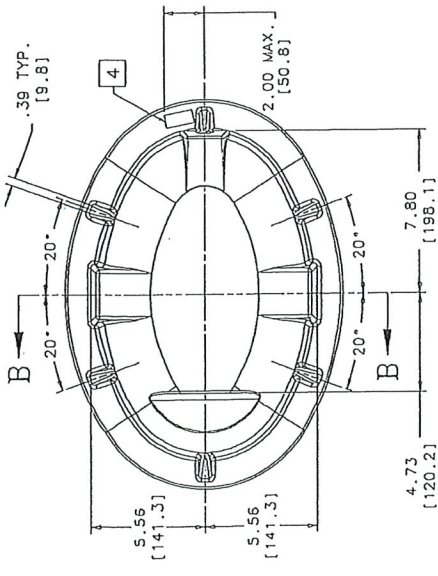
Registered

Date: September 15, 2021

Expiry Date: August 5, 2031

Codas & Standards Compliance Office

REV	DESCRIPTION	DATE	BY/DRAWN
A	RELEASED		FR1011
B	UPDATE TO GLOBAL STANDARD ENCL17083		10/2018



SECTION B-B

- NOTES:
- UNLESS OTHERWISE SPECIFIED ALL CORNERS & FILLETS TO BE R .12 (3.1)
  - MAX. DRAFT 5°
  - PATTERN NO. FH1368
  - LOCATION OF DATE STAMP, PATTERN NO. & FOUNDRY IDENTIFICATION.
  - EITHER SIDE OF RIB.
  - APPROX. CASTING WT. 62 LBS. (28 KG), APPROX. VOLUME 247 CU/IN. (4048 CU/CM)
  - UNLESS OTHERWISE SPECIFIED CASTING DIMENSION ±.06 (1.5)

DATE OF DESIGN	10/2018	DATE OF REVISION	10/2018
DESIGNER	FR1011	DRAWING TITLE	MINI PUMP TRAP
CHECKER	FR1011	DRAWING NO.	CHI14860.53
DATE OF APPROVAL	09/15/2021	ISSUE NO.	1
APPROVAL		REVISED BY	FR1011
DATE OF APPROVAL	08/05/2031	DATE OF APPROVAL	10/21/2021
ISSUE NO.	1	ISSUE NO.	1
ISSUE NO.	1	ISSUE NO.	1
ISSUE NO.	1	ISSUE NO.	1
ISSUE NO.	1	ISSUE NO.	1

Registration No. OH14860.S3

File No. 12211

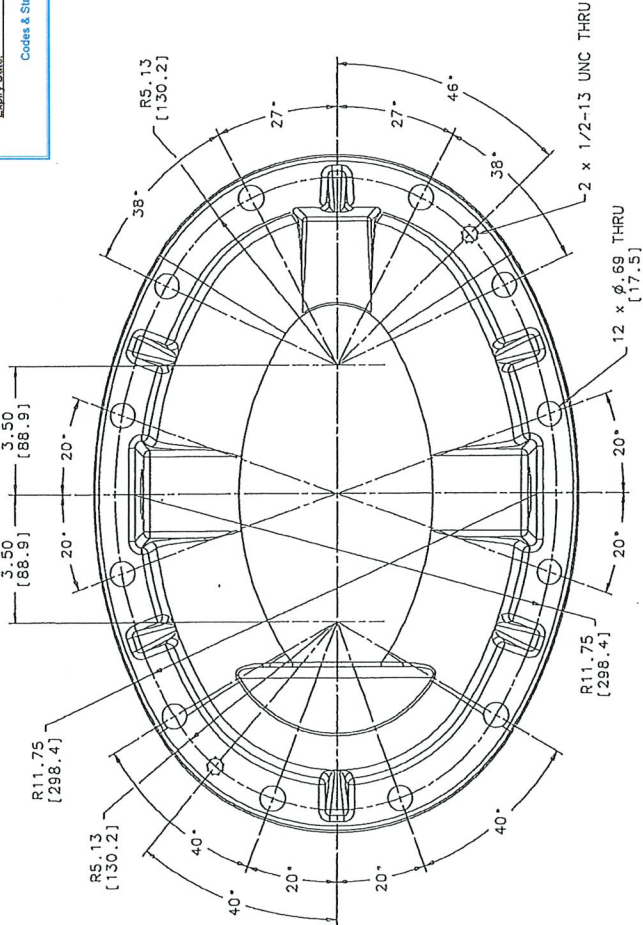
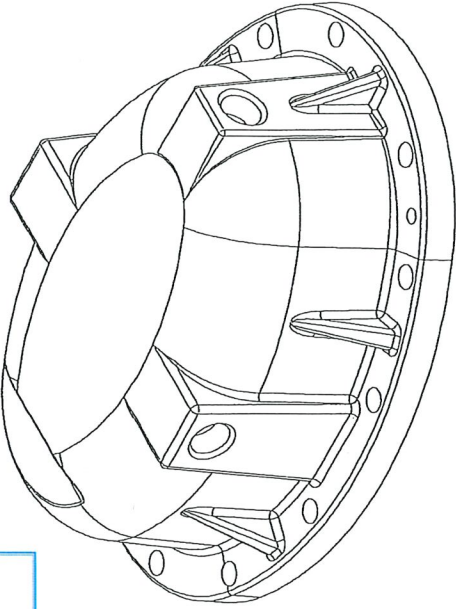
Registered

Date: September 15, 2021

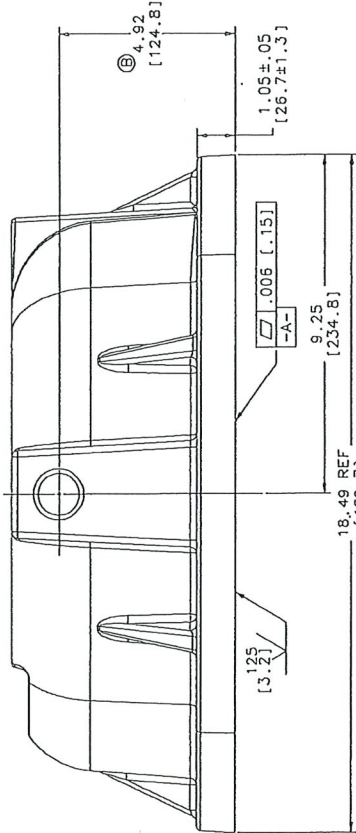
Expiry Date: August 5, 2031

Codes & Standards Compliance Office

SYM	DESCRIPTION	DATE	BY	REVISION
A	RELEASED			
B	WAS 5.09			
C	1) FH1400 WAS FH1400-1 2) FH1400-1 WAS FH1400-2	09/10/2008 08/10/2021		
D	UPDATE TO CURRENT STANDARDS	08/21/2021		



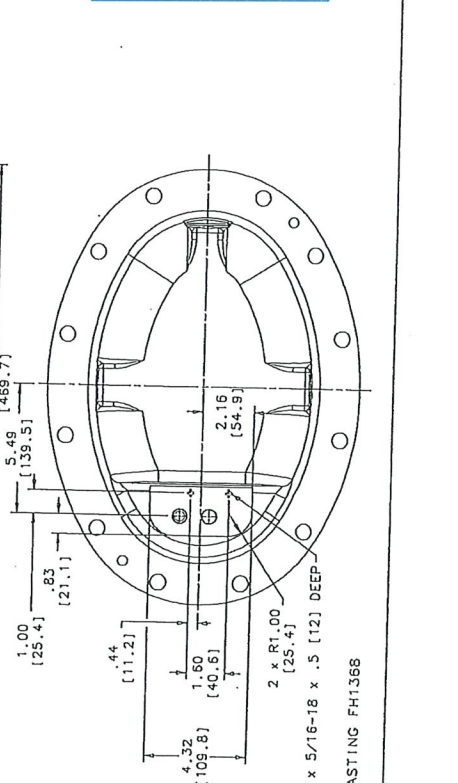
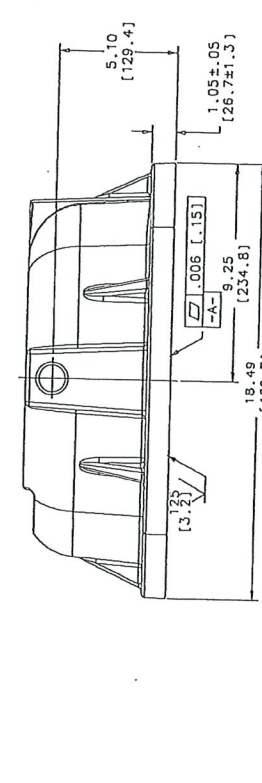
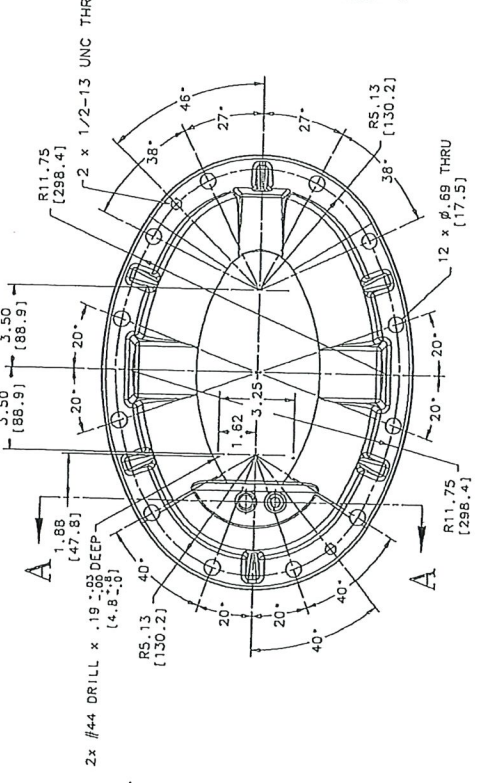
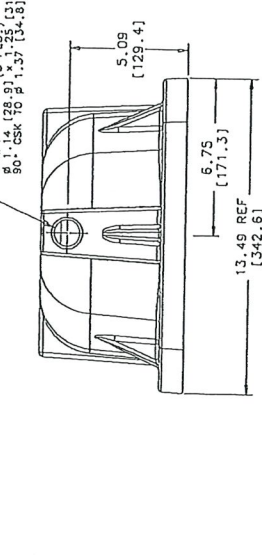
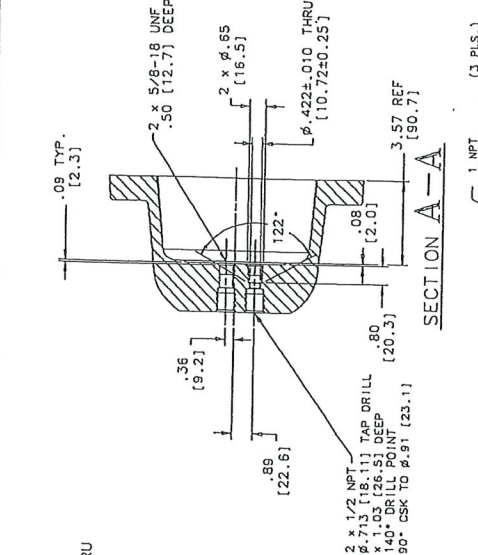
1" NPT (3 PLACES)  
Ø 1.31 (33.1) x 1.25 (31.8) DP  
90° CSK TO Ø 1.37 (34.8)



NOTE:  
1. MAKE FROM CASTING FH1368

DATE	BY	APP'D	TITLE
			ARMSTRONG INTERNATIONAL, INC. BODY PT104 1" NPT MINI PUMP TRAP
			CAST IRON
			CUR 10/20/21
			SHEET 1
			FH1400

REV	DESCRIPTION	DATE	BY	CHKD
A	RELEASED	FN1811		
B	1) FH1401 WAS FH1401-1 2) FH1401-1 WAS FH1401-2	01/03/20		
C	UPDATE TO GLOBAL STANDARD	01/03/20		



**Technical Safety Authority of Saskatchewan**

Registration No. OH14860.53  
 File No. 12211  
 Registered September 15, 2021  
 Date: August 5, 2031  
 Expiry Date:

Codes & Standards Compliance Office

REV	DESCRIPTION	DATE	BY	CHKD
A	RELEASED	FN1811		
B	1) FH1401 WAS FH1401-1 2) FH1401-1 WAS FH1401-2	01/03/20		
C	UPDATE TO GLOBAL STANDARD	01/03/20		

NOTE: 1. MAKE FROM CASTING FH1368