

REGISTRATION OF A PRESSURE FITTING DESIGN

15-Sep-21

AAOne
P. O. Box 91072
Burnhamthorpe Rd.
Toronto, ON
M9C 5N5

Attention: Emma Smith

File Number: 12210 [0 F]

Re: Manufacturer: Armstrong International Inc.
Item: PT-3500 Pump Trap
Catalog or Drawing: Per Scope of CRN Registration & Supporting Drawings

TSASK Codes and Standards Compliance has registered the design listed above in accordance with The Boiler and Pressure Vessel Act and Regulations and CSA B51. The Canadian Registration Number (CRN) is:

OH14859.53 Expiry Date: August 5, 2031

Please note that every fitting shall be constructed in strict accordance with the registered design.

Fitting registrations are required to be resubmitted for validation after ten (10) years from the registration date in accordance with CSA B51, Clause 4.2.1.

Should you require anything further, please do not hesitate to contact the Codes and Standards Compliance Office at your convenience.

Yours truly,



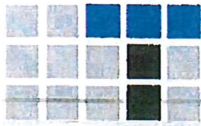
Athan Syrgiannis, P.Eng.
Codes and Standards Compliance

Remarks:

A valid quality control program must be maintained at the production facility for the fitting registration to remain valid until the expiry date.

CRN issuance based upon registration by another province.

Registered drawings: CDF1041, FH1616, FH1617



Statutory Declaration (Registration of Fittings)

TSK-1008

I. Declaration Information

I. Andy Schirk
Global Quality Director
(company title, e.g. vice president, plant manager, chief engineer)
(must be in a position of authority in the manufacturing plant where the fitting is produced)
of: Armstrong International, Inc.,
(name of manufacturer)

In this space, show facsimile of manufacturer's logo or trademark as it will appear on the fitting



located at: 816 Maple St. Three Rivers, MI 49093
(Plant Address - Apt/Street) (City,Prov) (Postal Code)

do solemnly declare that the fittings listed hereinunder, which are subject to the **Saskatchewan Boller and Pressure Vessel Safety Act** (check one)

- Comply with the requirements of _____ which specifies the dimensions, Materials of construction, pressure / temperature ratings and identification marking of the fittings, or
(title of recognized North American Standard)
- Are not covered by the provisions of a recognized North American standard and are therefore manufactured to comply with ASME B31.1 & B31.3 as supported by the attached data which identifies the dimensions, materials of construction, pressure / temperature ratings and the basis for such ratings, and the marking of the fittings for identification.

I further declare that the manufacturer of these fittings is controlled by a quality control program which has been verified by the following authority, HSB Registration Services as being suitable for the manufacturer of these fittings to the stated standard. The fittings covered by this declaration, for which I seek registration, are category H

In support of this application, the following information, calculations and / or test data are attached:

Model PT-3500 Series. See page two for document listing.

II. Declaration

DECLARED before me at Three Rivers, MI In the County of St. Joseph
this 9th day of June, 2021
ROBERTA MARIE RYAN
Notary Public, St. Joseph County, MI
(print name) My Commission Expires Sept. 13, 2024
Roberta Marie Ryan Andy Schirk
(Signature of Commissioner of Oaths) (Signature)

III. Office Use Only

To the best of my knowledge and belief, the application meets the requirements of the **Boller and Pressure Vessel Safety Act** and CSA B51, Clause 4.2, and is accepted for registration in Category _____

Technical Safety Authority of Saskatchewan

Registration No. OH14859.53
File No. 12210
Registered
Date: September 15, 2021
Expiry Date: August 5, 2031
Codes & Standards Compliance Office


(Date Registered - MM DD YYYY) (Expiry Date - MM DD YYYY)
(For the Administrator / Chief Inspector)



Armstrong International, Inc.

816 Maple Street, Three Rivers, Michigan 49093 USA Phone: (269) 273-1415 Fax: (269) 278-6555

Scope of CRN Registration

Design Code:	ASME B31.1, B31.3
Product	PT-3500
Main drawing:	CDF1041
Pressure and Temp.	100psi @ 406 °F MDMT -20°F
Logo	
QA locations:	Armstrong International 816 Maple Street Three Rivers, MI 49093

 Technical Safety Authority of Saskatchewan	
Registration No.	OH14859.53
File No.	12210
<input type="checkbox"/> Registered	
Date:	September 15, 2021
Expiry Date:	August 5, 2031
<small>Codes & Standards Compliance Office</small>	



Armstrong International, Inc.

816 Maple Street, Three Rivers, Michigan 49093 USA Phone: (269) 273-1415 Ž Fax: (269) 278-6555

Page 2 (Continued from Statutory Declaration)

In support of the application, the following information and/or test data are attached as follows:

CATALOG PAGE: PT-3500 Series Low Profile Pump Trap

Drawings: CDF1041, FH1616, FH1617

Burst Calculations

Material Certificate

T.R.No.70305 Suppl – Third Party Witness: Hydro

INSPECTOR CREDENTIALS

ISO 9001:2015

	Technical Safety Authority of Saskatchewan
Registration No.	OH14859.53
File No.	12210
	Registered
Date:	September 15, 2021
Expiry Date:	August 5, 2031
Codes & Standards Compliance Office	

DIMENSIONS & DATA CERTIFIED FOR:

Representative:

Order:

Customer:

Order:

Project:

Requirements:



Technical Safety Authority of Saskatchewan

Registration No. OH14859.53

File No. 12210

Registered

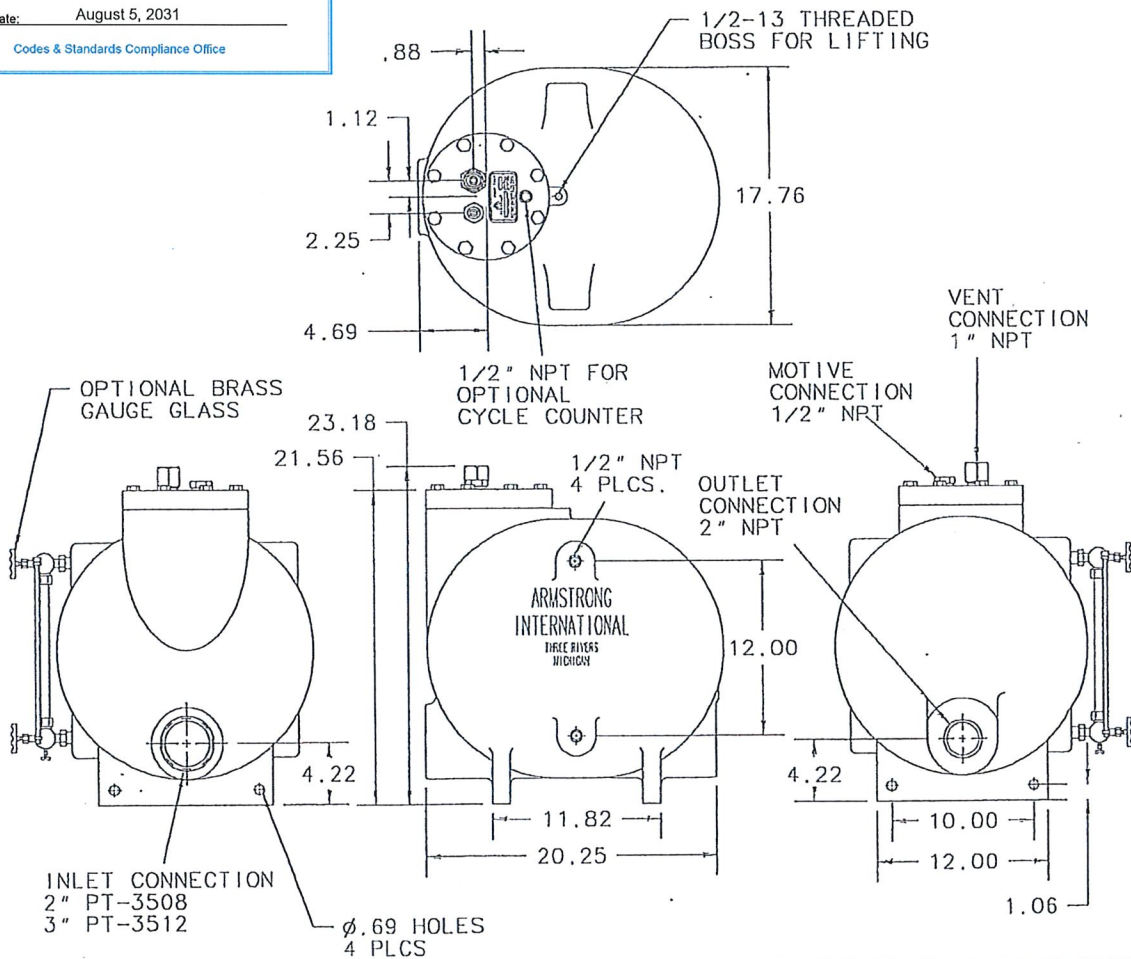
Date: September 15, 2021


Expiry Date: August 5, 2031

Codes & Standards Compliance Office

By:

Date:



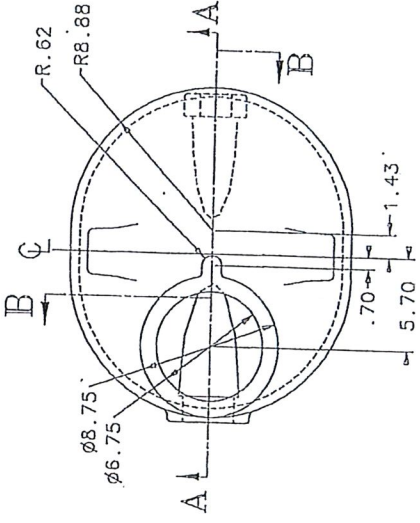
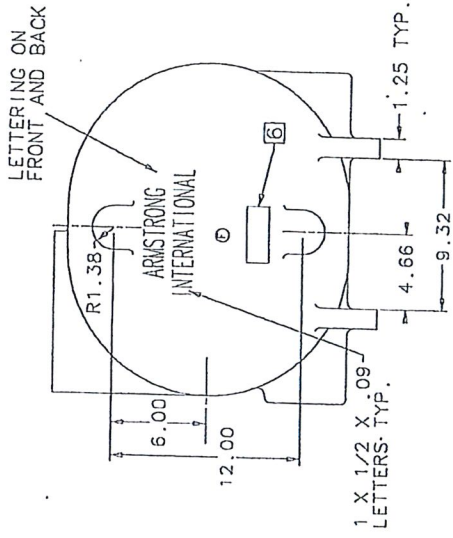

Armstrong Fluid Handling, Inc.
 Three Rivers, MI. 49093
 Telephone (269) 279-3601
 Armstrong Fax (269) 279-3150
 Posted on Armstrong's homepage www.armstrong-intl.com

(OVER)

Product	CDF No.	Date
PUMP TRAP PT-3508/3512	CDF1041	9/13/99
		Rev. A

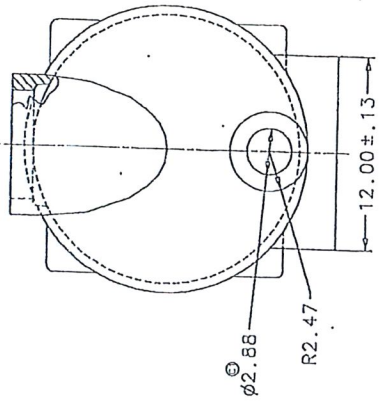
DWG. NO.	MATERIAL
FH1616-1	ASTM A395
FH1616-2	ASTM A48 CLS 30

DATE	DESCRIPTION	DATE	BY
	RELEASED		
	ADDED MATERIAL TAB		
	3. NEW PART		
	REWORKED CORIC T/NEW GAUGE		
	CLASS BOSS		
	INVALS 1-75		
	BRIDGE MOUNTING BRIC		
	BRIDGE MOUNTING		

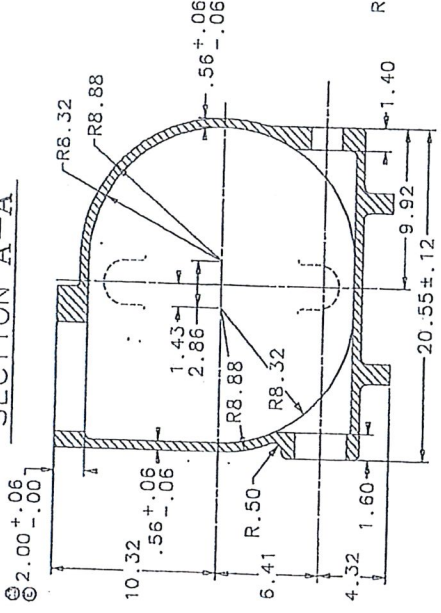


- NOTES:
1. ALL CORNERS & FILLETS TO BE R.38 UNLESS OTHERWISE SPECIFIED.
 2. TOLERANCE: STANDARD FOUNDRY TOLERANCES UNLESS OTHERWISE SPECIFIED.
 3. MAX DRAFT: 5°
 4. PATTERN NUMBER: FH1616
 5. APPROXIMATE CASTING WT.: 215 LBS.
 6. LOCATION OF DATE STAMP/HEAT CODE, PATTERN NUMBER, AND FOUNDRY IDENTIFICATION.
 7. CHEMICAL & PHYSICAL CERTS. REQUIRED

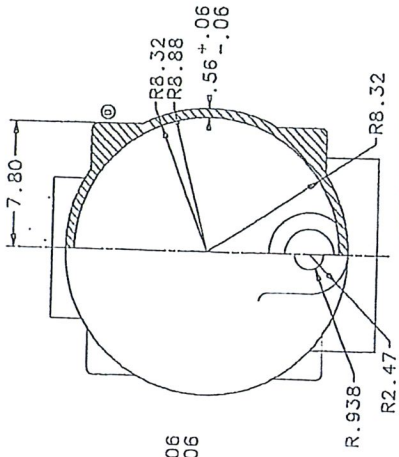
PARTING LINE



SECTION A-A



SECTION B-B



DATE	DESCRIPTION	DATE	BY
	RELEASED		
	ADDED MATERIAL TAB		
	3. NEW PART		
	REWORKED CORIC T/NEW GAUGE		
	CLASS BOSS		
	INVALS 1-75		
	BRIDGE MOUNTING BRIC		
	BRIDGE MOUNTING		

Technical Safety Authority of Saskatchewan

Registration No. OHI14859.53

File No. 12210

Registered

Date: September 15, 2021

Expiry Date: August 5, 2031

Codes & Standards Compliance Office

