



14th Floor, Centre Tower
3300 Bloor Street West
Toronto, Ontario
Canada M8X 2X4
Tel.: 416.734.3300
Fax: 416.231.1626
Toll Free: 1.877.682.8772
www.tssa.org

January 05, 2012

MATT MCNAMARA
ARMSTRONG INTERNATIONAL
816 MAPLE ST
THREE RIVERS MI 49093
US

Service Request Type.: BPV-National CSA
Service Request No.: 684750
Your Reference No.: CAT H FITTING- PUMP TRAP

Dear MATT MCNAMARA,

Please find enclosed the original response from MB, SK, QC registered under the CRN No.: CSA-0H14859.56.

As all jurisdictional fees are handled by the Technical Standards and Safety Authority (TSSA), you do not pay any jurisdictions directly. However, once your design has been successfully registered in all of the requested jurisdictions, you may receive an invoice from TSSA for any outstanding jurisdictional fees.

Should you have any questions or require further assistance, I will be happy to assist you. When contacting TSSA regarding this file, please refer to the Service Request number provided above.

Yours truly,

Colleen Ratcliff
Administrative Assistant_ BPV Engineering
Tel. : 416-734-3497
Fax : 416-231-6183
Email : CRatcliff@tssa.org



TECHNICAL STANDARDS &
SAFETY AUTHORITY
14th Floor, Centre Tower
3300 Bloor Street West
Toronto, Ontario
Canada M8X 2X4

Show facsimile of manufacturer's logo or trademark, as it will appear on the fitting, in the space below



STATUTORY DECLARATION Registration of Fittings

I, Andy Schirk, QA Manager
(Name and Position, e.g. President, Plant Manager, Chief Engineer)

of Armstrong International Inc
(Name of Manufacturer)

Located at 816 Maple St., Three Rivers, MI 49093 269-273-1415 269-278-6555
(Plant Address) (Telephone No.) (Fax No.)

do solemnly declare that the fittings listed hereunder, which are subject to the **Technical Standards and Safety Act**, Boilers and Pressure Vessels Regulation, comply with all of the requirements of ASME B31.3
(Title of recognized North American Standard)

which specifies the dimensions, materials of construction, pressure/temperature ratings, identification marking the fittings and service;

or are not covered by the provisions of a recognized North American standard and are therefore manufactured to comply with _____ as supported by the attached data which identifies the dimensions, material of construction, pressure/temperature ratings and the basis for such ratings, the marking of the fitting for identification and service.

I further declare that the manufacture of these fittings is controlled by a quality system meeting the requirements of ISO9001:2008 which has been verified by the following authority, HSB Registration Services

The items covered by this declaration, for which I seek registration, are category H type fittings. In support of this application, the following information and/or test data are attached as follows:
drawings pt3500, tensile test reports, burst test report, calculation
(drawings, calculations, test reports, etc.)

Declared before me at Three Rivers in the County of St. Joseph
the 1st day of August AD 2011.

Commissioner for Oaths:
ROBERTA M. RYAN
Notary Public, St. Joseph County, MI
My Commission Expires Sept. 13, 2011
(Printed Name)
Roberta M. Ryan
(Signature)

Andy Schirk
(Signature of Declarant)



FOR OFFICE USE ONLY

To the best of my knowledge and belief, the application meets the requirements of the **Technical Standards and Safety Act**, Boilers and Pressure Vessels Regulation, and CSA Standard B51 and is accepted for registration in Category H



CSA INTERNATIONAL

REGISTERED

CRN: CSA-0H14859.56
Registered by: Bikramjit Sandhu, P.Eng
Dated: 15 Nov. 2011

C.R.N.: CSA-0H14859.56 *
Signed: Bikramjit Sandhu
Date: 15 Nov. 2011

NOTE: This registration expires on Oct. 28, 2021

178 Rexdale Blvd., Toronto, ON M9W 1R3

***Note:** See the attachment for the scope of the registration

DIMENSIONS & DATA CERTIFIED FOR:

Representative: _____

Order: _____

Customer: _____

Order: _____

Project: _____

Requirements: _____

By: _____

Date: _____

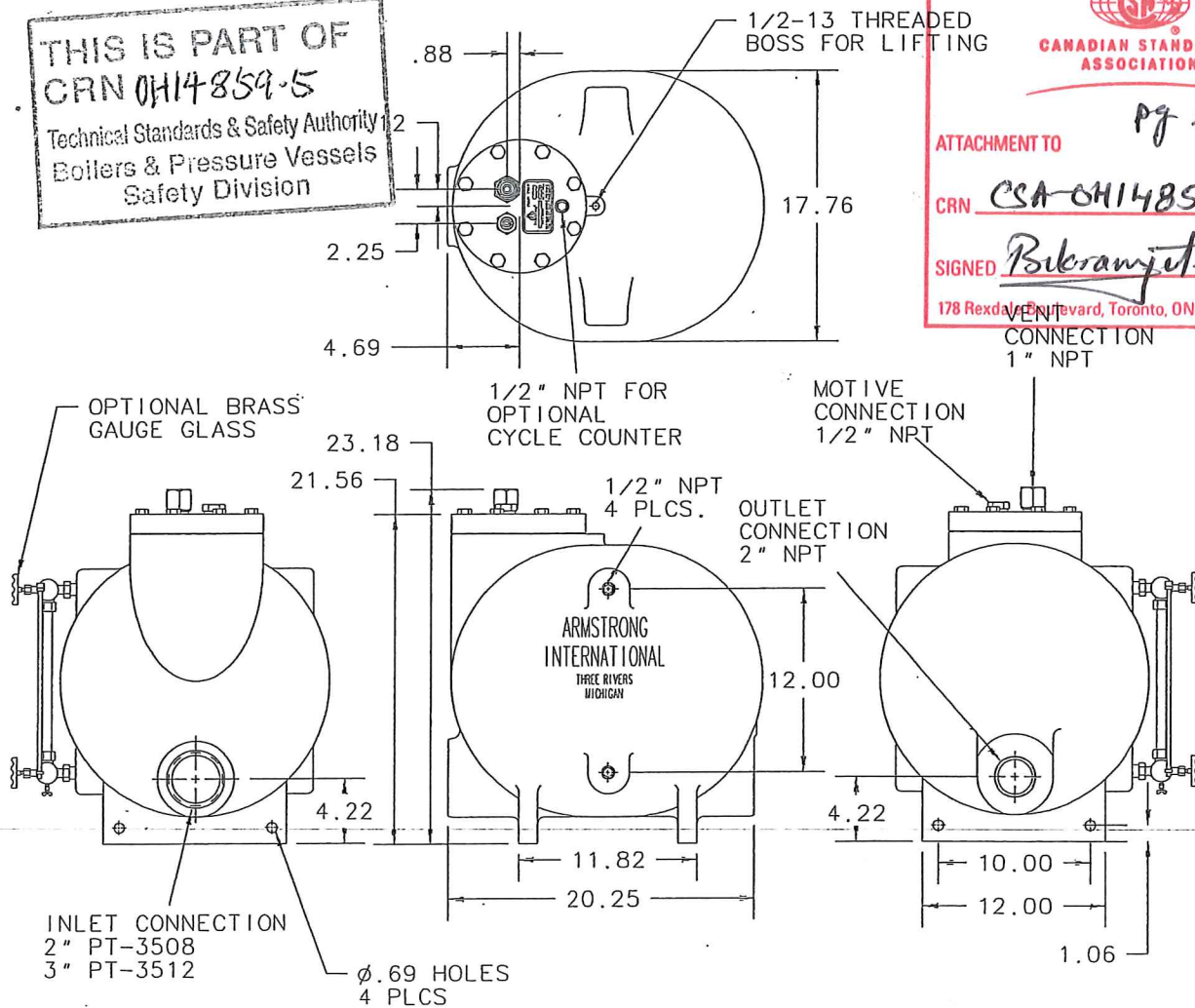
THIS IS PART OF
CRN 0H14859.5
Technical Standards & Safety Authority
Boilers & Pressure Vessels
Safety Division



**CANADIAN STANDARDS
ASSOCIATION**

Pg 1 of 2

ATTACHMENT TO
CRN CSA-0H14859.56
SIGNED Balraj Sandhu
178 Rexdale Blvd, Toronto, ON Canada M9W 1R3

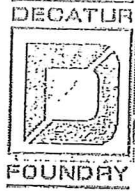



 Armstrong Fluid Handling, Inc.
 Three Rivers, MI. 49093
 Telephone (269) 279-3601
 Armstrong Fax (269) 279-3150
 Posted on Armstrong's homepage www.armstrong-intl.com

(OVER)

Product	CDF No.	Date
PUMP TRAP PT-3508/3512	CDF 1041	9/13/99
		Rev. A

page 5 of 7
DMM
MSB
5/5/11



DECATUR FOUNDRY, INC.
1745 NORTH ILLINOIS STREET
DECATUR, ILLINOIS 62526-4932

TELEPHONE: 217-429-5261 • FAX 217-425-2834
E-MAIL: terryyoung@decaturfoundry.com
WWW.decaturfoundry.com

GREY, DUCTILE
AND ALLOY
IRON CASTINGS

REPORT OF PHYSICAL & CHEMICAL TESTS

CUSTOMER	ARMSTRONG
PART NO	FH1616-2
DESCRIPTION	PUMP TRAP 3.X.2 (PT 3500)
CUST SPEC	ASTM A48 CL30
OUR SPEC	CL30
P.O. NO.	F541
INVOICE NO	00069339
PIECES	12
SHIP DATE	11/15/10
HEAT CODE	10S205

PHYSICAL TEST:

TENSILE STRENGTH P.S.I.	33,226
YIELD STRENGTH P.S.I.	-----
ELONGATION % IN 2"	-----
BHN	192

CHEMICAL TEST:

CARBON	3.48
SILICON	2.14
PHOSPHORUS	0.042
SULPHUR	0.078
MAGNESIUM	0.000
MANGANESE	0.610
TIN	0.029
COPPER	0.186
NICKEL	0.059

THIS IS PART OF
CRN 0H14859.5
Technical Standards & Safety Authority
Boilers & Pressure Vessels
Safety Division


CANADIAN STANDARDS
ASSOCIATION
pg 2 of 2
ATTACHMENT TO
CRN CSA 0H14859.56
SIGNED Bikramjit Sandhu
178 Rexdale Boulevard, Toronto, ON Canada M9W 1R3

THIS IS TO CERTIFY THAT THE ABOVE CASTINGS CONFORM TO THE REQUIREMENTS OF THE ABOVE SPECIFICATIONS.

DECATUR FOUNDRY CASTINGS ARE: *PROUDLY MADE IN THE U.S.A.*

DECATUR FOUNDRY, INC

Chris Merritt