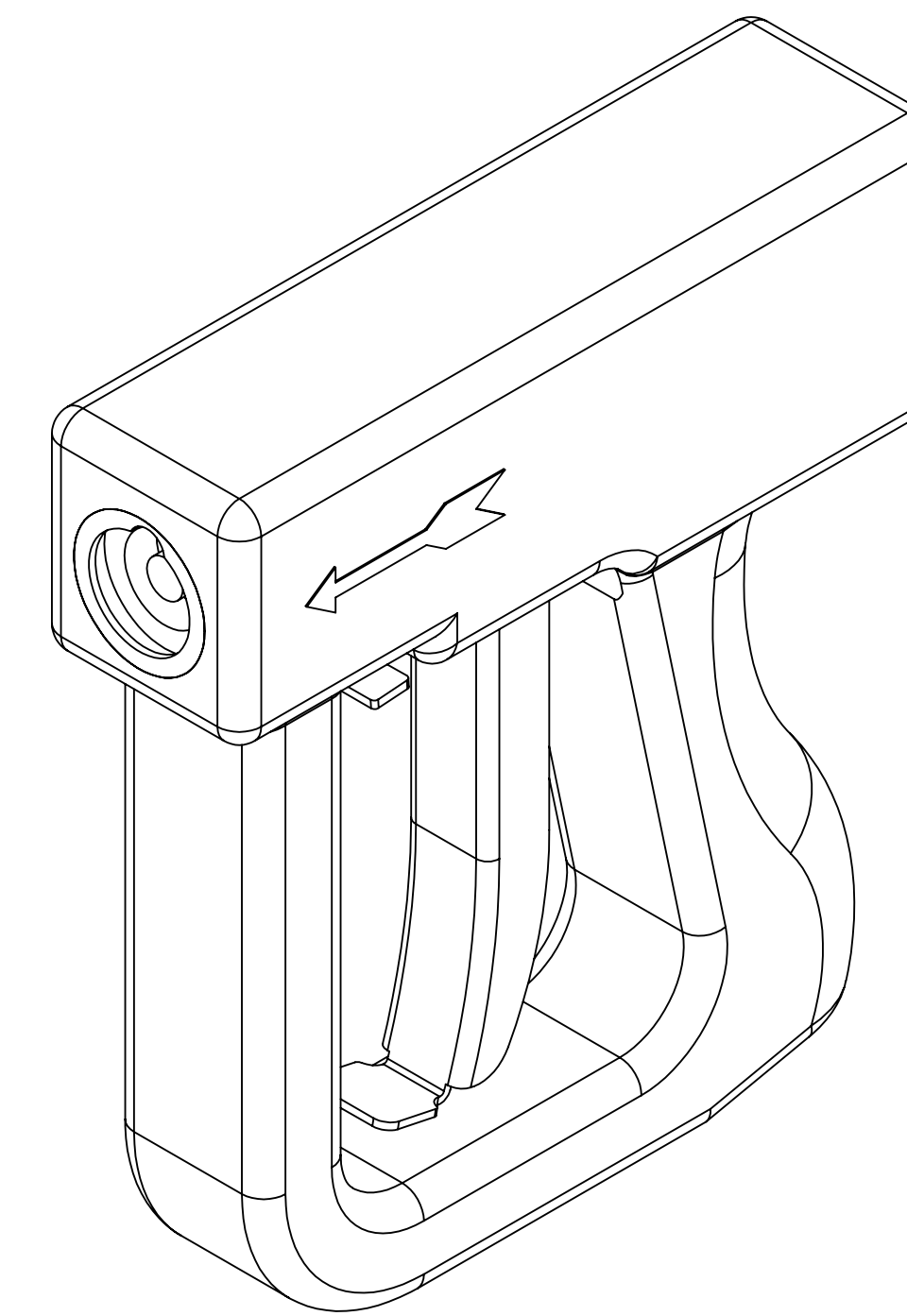
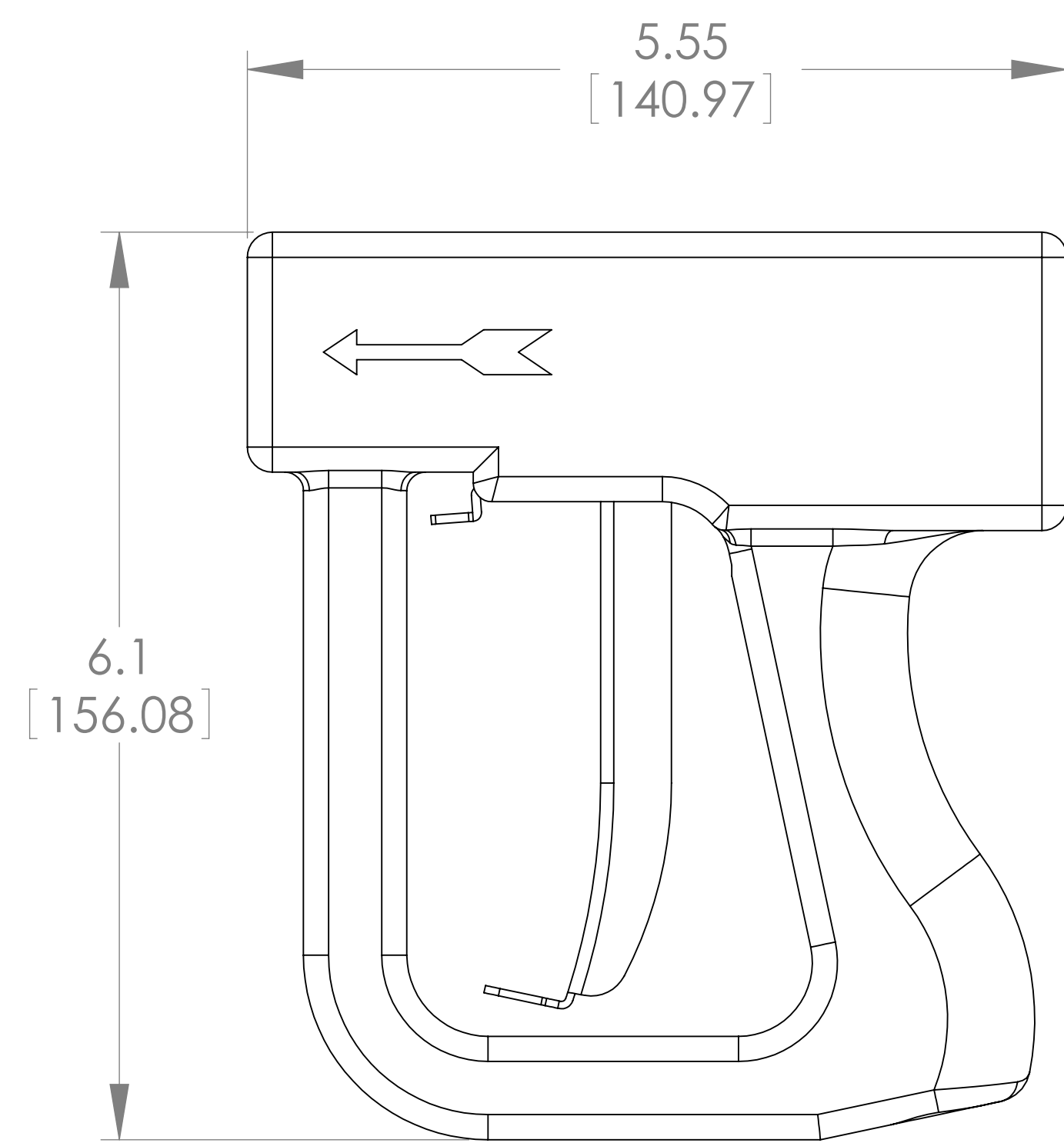


| REVISIONS | | | |
|-----------|-------------|---------|---------|
| SYM | DESCRIPTION | C/N NO. | BY-DATE |
| A | RELEASED | CNXXXXX | Holley |



THIS DRAWING WAS CREATED FROM A 3D FILE. DO NOT REVISE THE PARTS OR ASSEMBLIES IN THIS DRAWING FILE.
PLEASE REVISE THE ORIGINAL 3D FILE.

| | | | |
|--|---------|---|-----------|
| ENGLISH | | GRAPHICS ARE USA BASED DRAWING HAS USA VIEW PROJECTION | |
| DO NOT SCALE DRAWING TOLERANCE UNLESS OTHERWISE SPECIFIED. | | ARMSTRONG INTERNATIONAL, INC. Copyright © 2008 Armstrong International, Inc. | |
| FRAC: #1/64 | | Spray Nozzle 038TG Washdown Equipment | |
| IN. MM | PARTIAL | Plastic | SHEET NO. |
| DEC. .XXXX = ±.0005 .XXX = ±.005 .XX = ±.015 .X = ±.030 | SCALE | DRN BY Hoffman | xxxx |
| ANGLES #2* | DATE | HOFFMAN | CD2322 |