

4800 SERIES CONDENSATE UNIT

STAINLESS STEEL TANK



Armstrong®
EXPERIENCE MATTERS™



4800 Series Condensate Units – Stainless Steel Tank



Technical Specifications

4800 Series Condensate Return Units set new standards of performance. Reliable and efficient, each unit features heavy gauge, 3/16" stainless steel receivers for long operating life.

In addition, 3450 RPM motors assure maximum efficiency while maintaining minimum motor horsepower. Available in a wide range of sizes, these U.S. made units have just the right accessories and options to meet your unique needs.

Features

- | Heavy gauge stainless steel receivers
- | Simplex or duplex construction
- | Stainless steel fitted centrifugal pumps
- | Energy efficient 3450 RPM motors
- | Automatic venting
- | Carbon ceramic pump seal (300°F) with EPDM elastomers
- | Heavy-duty float switch
- | Wide range of options and accessories

Optional Features

- | Mechanical and electric alternators for duplex units
- | Gauge glass
- | Thermometer
- | Isolation valves
- | Special motor construction, such as totally enclosed, washdown duty and explosion-proof is available
- | 120 gallon and elevated tanks are available
- | Complete NEMA 12 Control Panel

Armstrong International

The Americas | Asia | India | Europe, Middle East, Africa

4800 Series Product Features

Motors: Heavy-duty, ball-bearing, close-coupled pump motors with stainless steel shaft. 3450 RPM for greater efficiency and more economical operation.

Float Switch: Two-pole, drip proof case, stainless steel float and float rod, double-break silver-to-silver contacts. Float travel adjustment is easy, visible and accessible.

Automatic Venting: Provides for efficient operation and long life by venting air and flushing seal area.

Large Tanks: Plenty of capacity for maximum rating of pump. Return inlet is low. Occupies a minimum of floor space.

Impeller: Made of stainless steel for long life. Efficient design provides maximum capacity, minimum motor load.

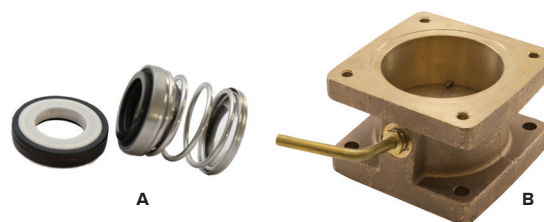
Inducer: Made of stainless steel for long life. Raises the inlet pressure by an amount sufficient to prevent cavitation.

Pump seal (A): Features the ultimate in ceramic technology for exceptionally long life. Seal is carbon ceramic with EPDM elastomers. Rated for temperatures up to 300°F.

Isolation Valve (B): Optional on 4800 Series Condensate Units. Allows removal of pump without draining the tank.



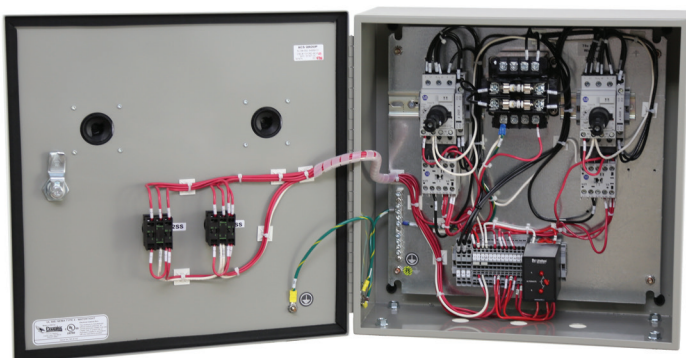
Elevated Unit



Complete NEMA 12 Control Panel (Optional)

- | Motor Circuit Protector
- | HOA Selector Switch
- | External Reset
- | Control Circuit Transformer
- | Pilot Light (pump running)
- | Removable Mounting Plate and Terminal Strip in a Single NEMA 12 Enclosure
- | Mounted and Wired with Single Point Power Connection.

Control Panel



Inside view of control panel

Armstrong International

The Americas | Asia | India | Europe, Middle East, Africa



4800 Series Engineering and Capacity Data

Cap Sq. Ft. EDR	Discharge Pressure PSIG	Pump Cap. G.P.M.	HP 3500 R.P.M.	Rec. Cap Gal.	Unit Model No. Simplex	Unit Model No. Duplex	Weight (lb) Simplex	Weight (lb) Duplex	Disch. Size Inches	Inlet Size Inches
8 000	20	12	1/2	8	AFH-4028-KS	—	90	—	1-1/2"	2"
2 000		3		15	AFH-4828-K	AFH-4828-KDA	125	185	1-1/2"	
4 000		6								
6 000		9								
8 000		12								
10 000		15	30	AFH-48215-K	AFH-48215-KDA	190	240	1-1/2"		
15 000		22.5								
20 000		30	3/4	45	AFH-48220-K	AFH-48220-KDA	200	250	1-1/2"	
25 000		37.5								
30 000		45								
40 000		60	1-1/2	60	AFH-48230-K	AFH-48230-KDA	285	350	1-1/2"	
50 000		75								
60		60	1-1/2	60	AFH-48240-K	AFH-48240-KDA	335	405	1-1/2"	
70		75								
80		95	1-1/2	95	AFH-48250-K	AFH-48250-KDA	385	460	1-1/2"	
90	95									
2 000	30	3	3/4	15	AFH-4838-K	AFH-4838-KDA	180	250	1-1/2"	2"
4 000		6								
6 000		9								
8 000		12								
10 000		15	1	30	AFH-48310-K	AFH-48310-KDA	185	255	1-1/2"	
15 000		22.5								
20 000		30	1-1/2	45	AFH-48320-K	AFH-48320-KDA	230	300	1-1/2"	
25 000		37.5								
30 000		45								
40 000		60	2	60	AFH-48330-K	AFH-48330-KDA	285	350	1-1/2"	
50 000	75									
60	95	2	95	AFH-48340-K	AFH-48340-KDA	340	410	1-1/2"		
70	95									
80	95	2	95	AFH-48350-K	AFH-48350-KDA	395	470	1-1/2"		
90	95									
2 000	40	3	1	15	AFH-4844-K	AFH-4844-KDA	190	270	1-1/2"	2"
4 000		6								
6 000		9	1-1/2	30	AFH-48410-K	AFH-48410-KDA	240	310	1-1/2"	
8 000		12								
10 000		15								
15 000		22.5	2	45	AFH-48420-K	AFH-48420-KDA	290	355	1-1/2"	
20 000		30								
25 000		37.5	3	60	AFH-48430-K	AFH-48430-KDA	295	360	1-1/2"	
30 000		45								
40 000		60								
50 000	75	3	95	AFH-48440-K	AFH-48440-KDA	340	410	1-1/2"		
60	95									
70	95	3	95	AFH-48450-K	AFH-48450-KDA	395	470	1-1/2"		
80	95									
2 000	50	3	1-1/2	15	AFH-4858-K	AFH-4858-KDA	195	275	1-1/2"	2"
4 000		6								
6 000		9								
8 000		12								
10 000		15	2	30	AFH-48510-K	AFH-48510-KDA	245	320	1-1/2"	
15 000		22.5								
20 000		30	3	45	AFH-48520-K	AFH-48520-KDA	255	330	1-1/2"	
25 000		37.5								
27 000		40								

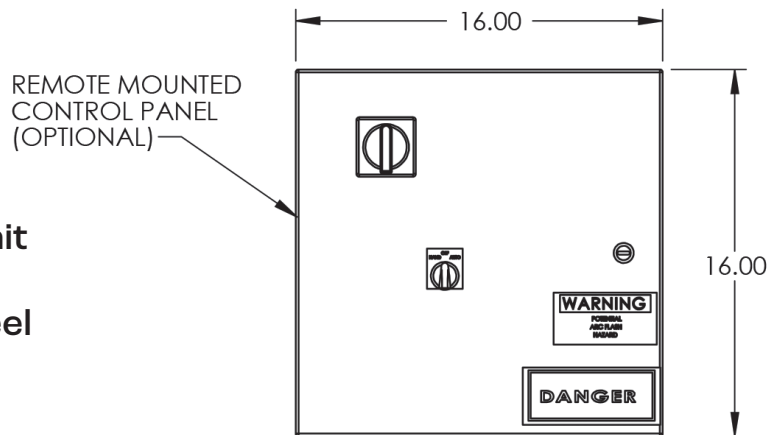
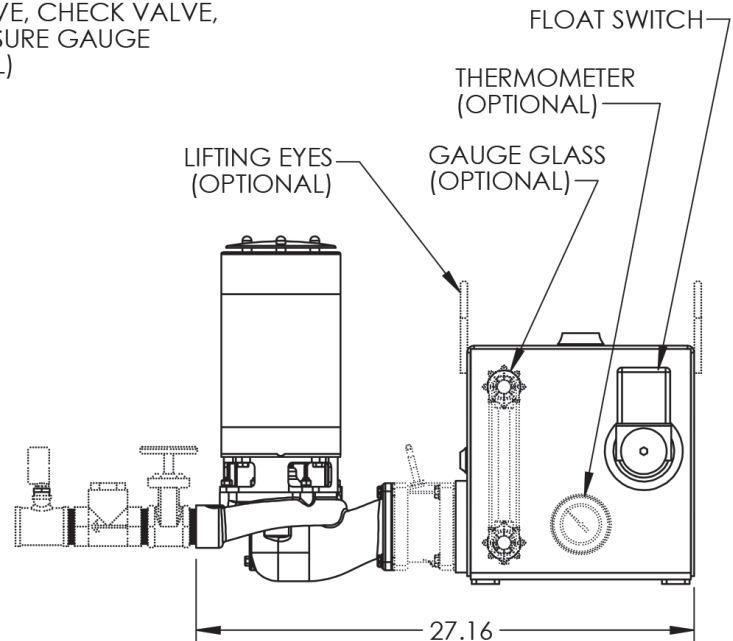
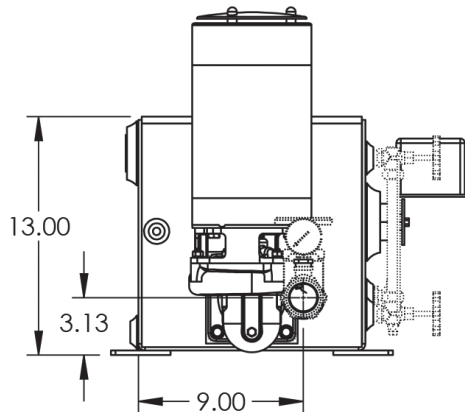
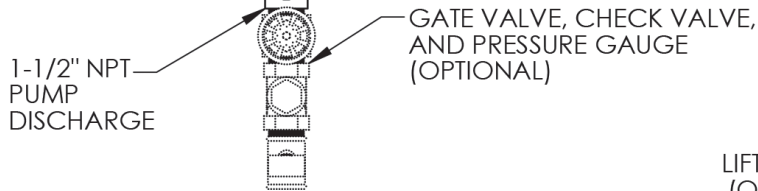
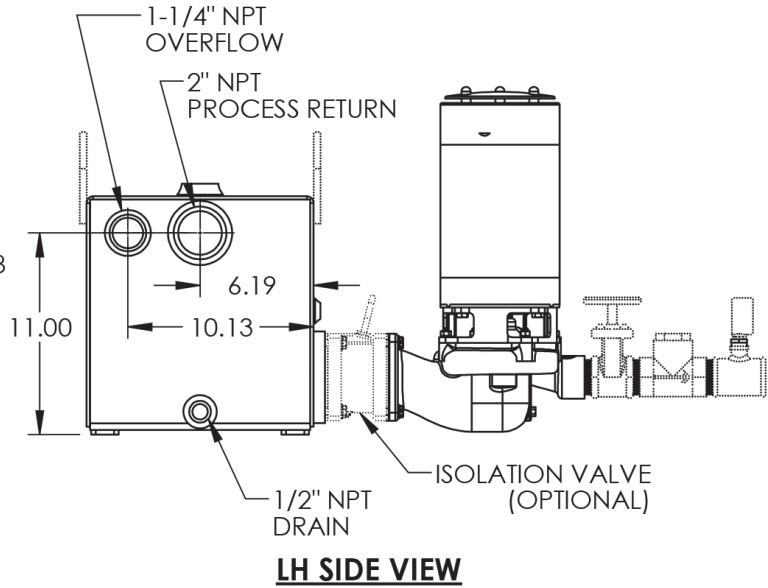
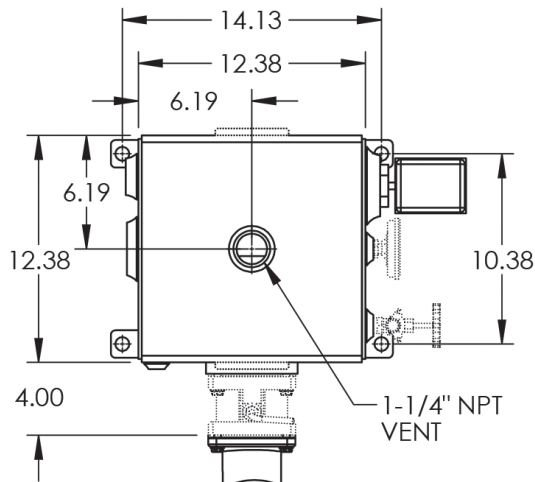
Sample Specification

Furnish and install, where indicated on plans, an Armstrong 4800 Series (simplex or duplex) condensate unit(s), having a capacity of _____ sq. ft. E.D.R. _____ GPM against a discharge pressure of _____ PSI. The receiver shall have a capacity of _____ gallons and be of 3/16" stainless steel construction. Pump(s) shall be of the centrifugal type with one-piece enclosed stainless steel impeller, stainless steel inducer, cast iron housing, high temperature (300°F) mechanical seal and stainless steel motor shaft. The float switch shall be two-pole with plastic case, stainless steel float and shaft, and double-break silver contacts. An optional inlet "Y" or basket strainer is recommended for installation on the tank return inlet for pump protection. The motor(s) shall be vertical, 3450 RPM, _____ phase, _____ volt, 60 cycle, _____ H.P. The complete unit is to be factory assembled and tested prior to shipment.

Armstrong International

The Americas | Asia | India | Europe, Middle East, Africa

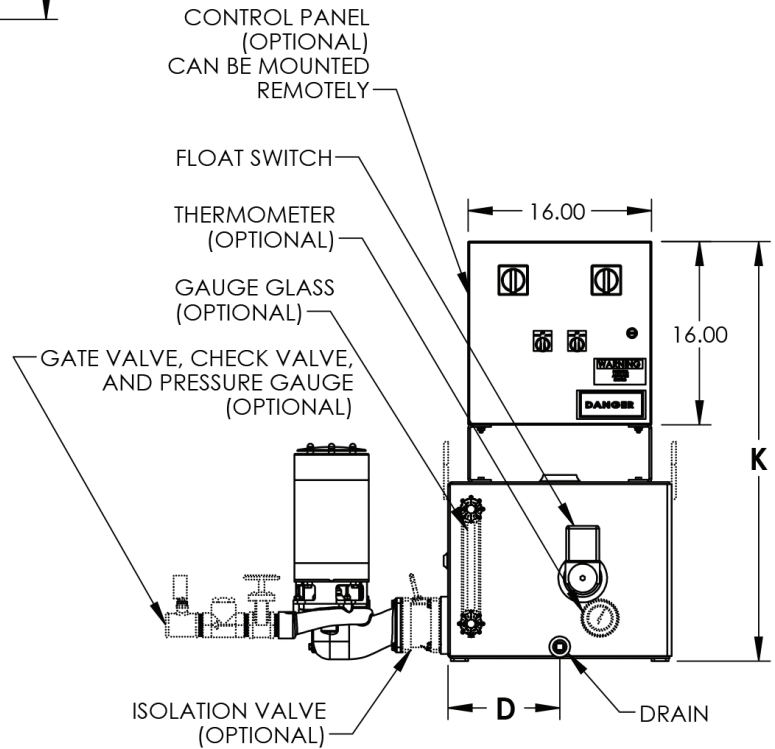
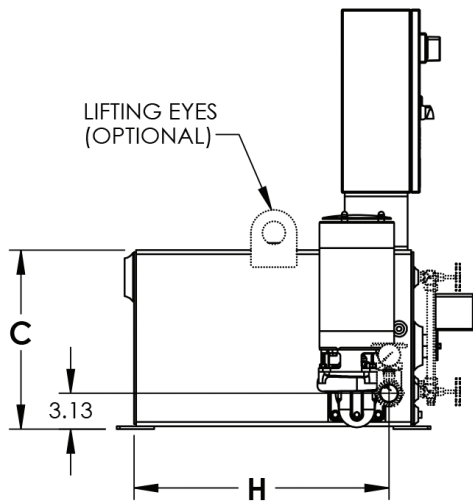
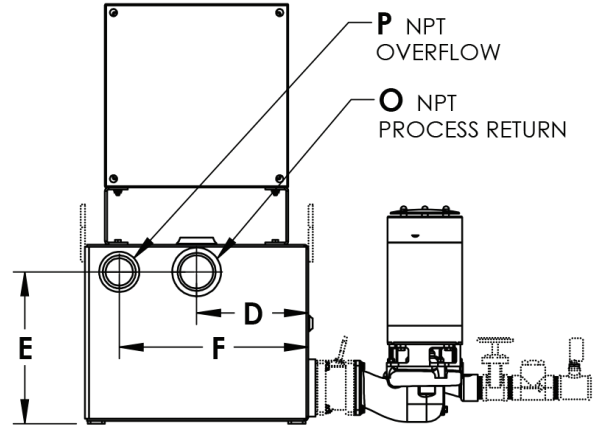
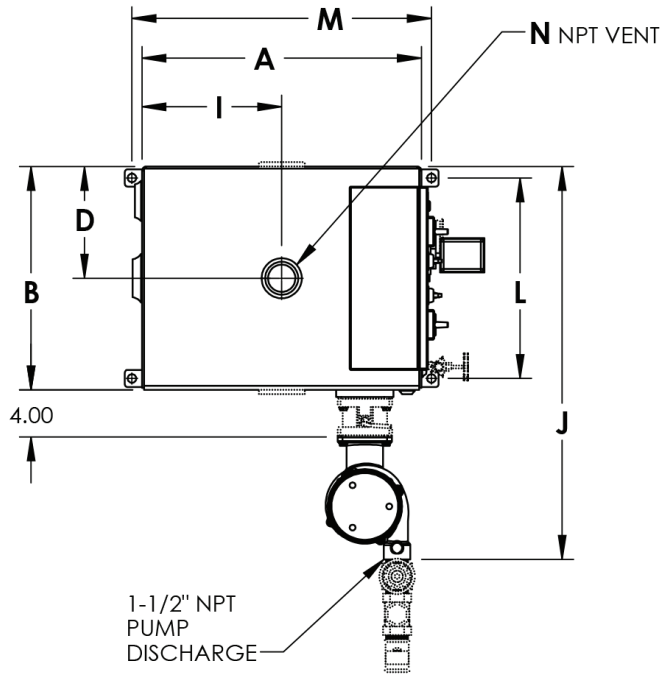
4800 Series Product Diagrams



**4800 "K" Series Condensate Unit
8 Gallon Simplex
Receiver Material: Stainless Steel**



4800 Series Product Diagrams – continued



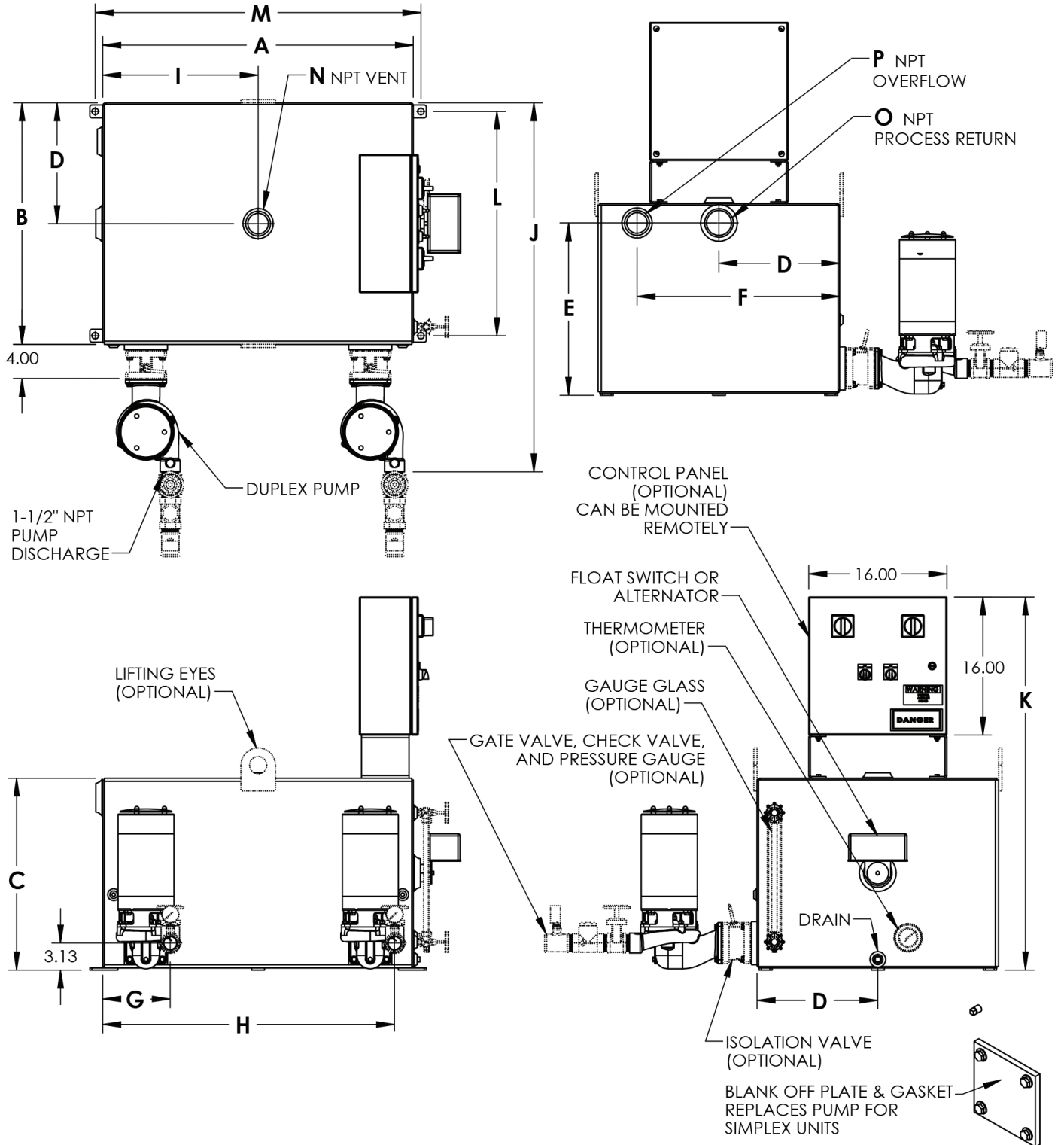
4700 "K" Series Condensate Unit – Receiver Material: Stainless Steel

RECEIVER SIZE	A	B	C	D	E	F	G	H	I	J	K	L	M	N	O	P	DRAIN
15 GAL	16.63	16.25	14.25	8.13	12.25	13.75		16.37	8.31	31.00	35.25	14.25	18.38	1-1/2"	2"	1-1/2"	1/2" NPT
30 GAL	24.38	19.50	15.63	9.75	13.25	16.50		22.25	12.19	34.25	35.63	17.50	26.13	2"	2-1/2"	2"	1" NPT

Armstrong International

The Americas | Asia | India | Europe, Middle East, Africa

4800 Series Product Diagrams – continued



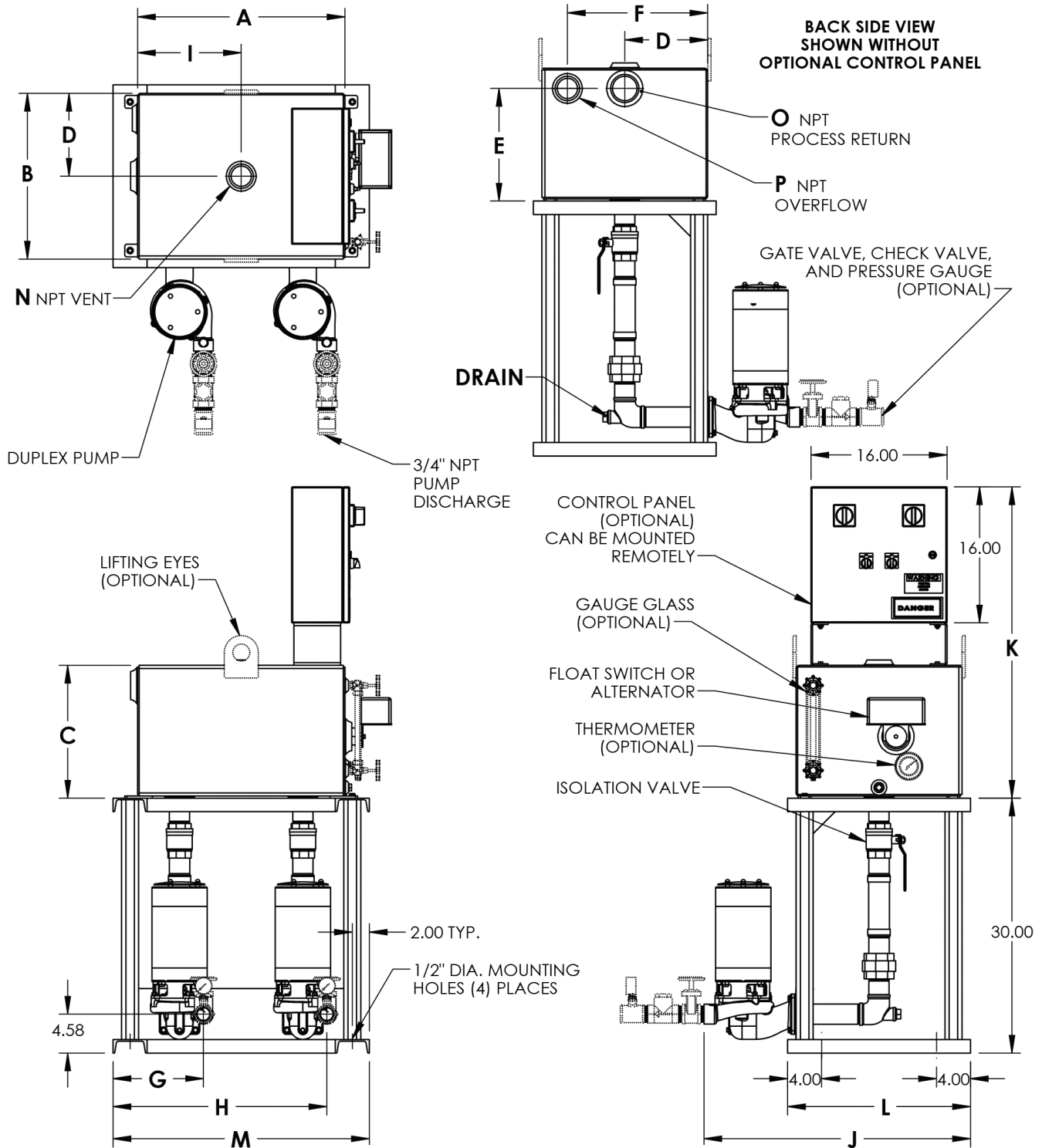
4700 "K" Series Condensate Unit – Receiver Material: Stainless Steel

RECEIVER SIZE	A	B	C	D	E	F	G	H	I	J	K	L	M	N	O	P	DRAIN
15 GAL	16.63	16.25	14.25	8.13	12.25	13.75	5.87	16.37	8.31	31.00	35.25	14.25	18.38	1-1/2"	2"	1-1/2"	1/2" NPT
30 GAL	24.38	19.50	15.63	9.75	13.25	16.50	7.75	22.25	12.19	34.25	35.63	17.50	26.13	2"	2-1/2"	2"	1/2" NPT
45 GAL	24.00	22.00	20.25	11.00	18.00	19.00	7.57	22.07	12.00	36.75	41.25	20.00	25.75	2"	2-1/2"	2"	1/2" NPT
60 GAL	24.00	27.00	22.25	13.50	20.00	24.00	7.57	22.07	12.00	41.75	43.25	25.00	25.75	2"	2-1/2"	2"	1/2" NPT
95 GAL	36.00	28.00	22.25	14.00	20.00	23.50	7.81	33.81	18.00	42.75	43.25	26.00	37.75	2"	2-1/2"	2"	1/2" NPT
120 GAL	36.00	36.00	22.25	18.00	20.00	31.50	7.81	33.81	18.00	50.75	43.25	34.00	37.50	2"	2-1/2"	2"	1" NPT

Designs, materials, weights and performance ratings are approximate and subject to change without notice. Visit armstronginternational.com for up-to-date information.



4800 Series Product Diagrams – continued



4700 "K" Series Condensate Unit – Receiver Material: Stainless Steel

RECEIVER SIZE	A	B	C	D	E	F	G	H	I	J	K	L	M	N	O	P	DRAIN
15 GAL	16.63	16.25	14.25	8.13	12.25	13.75	8.75	19.25	8.31	28.08	35.25	18.25	22.83	1-1/2"	2"	1-1/2"	1" NPT
30 GAL	24.38	19.50	15.63	9.75	13.25	16.50	10.63	25.13	12.19	31.33	35.63	21.50	30.13	2"	2-1/2"	2"	1" NPT
45 GAL	24.00	22.00	20.25	11.00	18.00	19.00	10.45	24.95	12.00	33.83	41.25	24.00	29.75	2"	2-1/2"	2"	1" NPT
60 GAL	24.00	27.00	22.25	13.50	20.00	24.00	10.45	24.95	12.00	38.83	43.25	29.00	29.75	2"	2-1/2"	2"	1" NPT
95 GAL	36.00	28.00	22.25	14.00	20.00	23.50	10.69	36.69	18.00	39.83	43.25	30.00	41.75	2"	2-1/2"	2"	1" NPT
120 GAL	36.00	36.00	22.25	18.00	20.00	31.50	10.69	36.69	18.00	47.83	43.25	38.00	41.75	2"	2-1/2"	2"	1" NPT



INTELLIGENT THERMAL UTILITIES SOLUTIONS FROM A GLOBAL
LEADER IN ENERGY MANAGEMENT AND ENJOYABLE EXPERIENCES

Armstrong International

The Americas | Asia | Europe, Middle East, Africa

armstronginternational.com