

4600 SERIES CONDENSATE UNIT

STEEL TANK



Armstrong®
EXPERIENCE MATTERS™



4600 Series Condensate Units – Steel Tank



Technical Specifications

4600 Series Condensate Units set new standards of performance. Reliable and efficient, each unit features heavy gauge, 3/16" steel receivers for long operating life.

In addition, 3450 RPM motors assure maximum efficiency while maintaining minimum motor horsepower. Available in a wide range of sizes, these U.S. made units have just the right accessories and options to meet your unique needs.

Features

- | Heavy gauge steel receivers
- | Simplex or duplex construction
- | Stainless steel fitted centrifugal pumps
- | Energy efficient 3450 RPM motors
- | Automatic venting
- | Carbon ceramic pump seal (300°F) with EPDM elastomers
- | Heavy-duty float switch
- | Wide range of options and accessories

Optional Features

- | Mechanical and electric alternators for duplex units
- | Gauge glass
- | Thermometer
- | Isolation valves
- | Special motor construction, such as totally enclosed, washdown duty and explosion-proof is available
- | 120 gallon and elevated tanks are available
- | Complete NEMA 12 Control Panel

Armstrong International

The Americas | Asia | India | Europe, Middle East, Africa

Product Features

Motors: Heavy-duty, ball-bearing, close-coupled pump motors with stainless steel shaft. 3450 RPM for greater efficiency and more economical operation.

Float Switch: Two-pole, drip proof case, stainless steel float and float rod, double-break silver-to-silver contacts. Float travel adjustment is easy, visible and accessible.

Automatic Venting: Provides for efficient operation and long life by venting air and flushing seal area.

Large Tanks: Plenty of capacity for maximum rating of pump. Return inlet is low. Occupies a minimum of floor space.

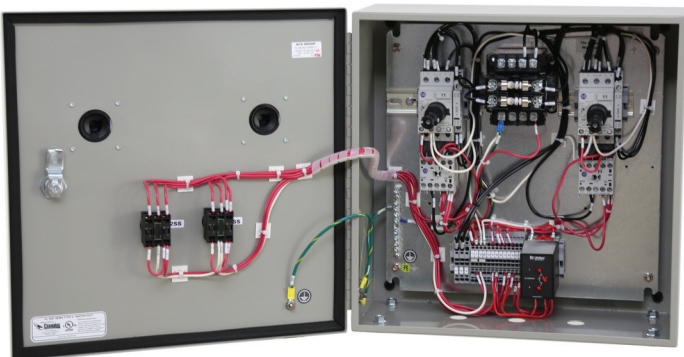
Impeller: Made of stainless steel for long life. Efficient design provides maximum capacity, minimum motor load.

Inducer: Made of stainless steel for long life. Raises the inlet pressure by an amount sufficient to prevent cavitation.

Pump seal (A): Features the ultimate in ceramic technology for exceptionally long life. Seal is carbon ceramic with EPDM elastomers. Rated for temperatures up to 300°F.

Isolation Valve (B): Optional on 4600 Series Condensate Units. Allows removal of pump without draining the tank.

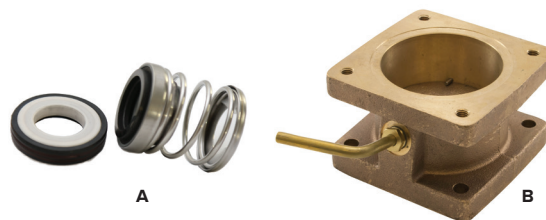
Control Panel



Inside view of control panel



Elevated Unit



Complete NEMA 12 Control Panel (Optional)

- | Motor Circuit Protector
- | HOA Selector Switch
- | External Reset
- | Control Circuit Transformer
- | Pilot Light (pump running)
- | Removable Mounting Plate and Terminal Strip in a Single NEMA 12 Enclosure
- | Mounted and Wired with Single Point Power Connection.

Armstrong International

The Americas | Asia | India | Europe, Middle East, Africa



4600 Series Engineering and Capacity Data

Cap Sq. Ft. EDR	Discharge Pressure PSIG	Pump Cap. G.P.M.	HP 3500 R.P.M.	Rec. Cap Gal.	Unit Model No. Simplex	Unit Model No. Duplex	Weight (lb) Simplex	Weight (lb) Duplex	Disch. Size Inches	Inlet Size Inches	
8 000	20	12	1/2	8	AFH-4028-K	—	90	—	1-1/2"	2"	
2 000		3		15	AFH-4628-K	AFH-4628-KDA	125	185	1-1/2"		
4 000		6									
6 000		9									
8 000		12									
10 000		15	30	AFH-46215-K	AFH-46215-KDA	190	240	1-1/2"			
15 000		22.5									
20 000		30									
25 000		37.5	3/4	45	AFH-46225-K	AFH-46225-KDA	285	350	1-1/2"		
30 000		45									
40 000		60	1-1/2	60	AFH-46240-K	AFH-46240-KDA	335	405	1-1/2"		
50 000		75									
2 000		30	3	3/4	15	AFH-4638-K	AFH-4638-KDA	180	250	1-1/2"	2"
4 000			6								
6 000	9										
8 000	12										
10 000	15										
15 000	22.5		1	30	AFH-46320-K	AFH-46320-KDA	230	300	1-1/2"		
20 000	30										
25 000	37.5		1-1/2	45	AFH-46330-K	AFH-46330-KDA	285	350	1-1/2"		
30 000	45						290	355			
40 000	60						2	60		AFH-46340-K	AFH-46340-KDA
50 000	75	95	AFH-46350-K	AFH-46350-KDA	395	470					
2 000	40	3	1	15	AFH-4644-K	AFH-4644-KDA	190	270	1-1/2"	2"	
4 000		6									
6 000		9	1-1/2	30	AFH-46420-K	AFH-46420-KDA	240	310	1-1/2"		
8 000		12									
10 000		15									
15 000		22.5									
20 000		30	2	45	AFH-46430-K	AFH-46430-KDA	290	355	1-1/2"		
25 000		37.5					295	360			
30 000		45	3	60	AFH-46440-K	AFH-46440-KDA	340	410	1-1/2"		
40 000		60									
50 000	75	95								AFH-46450-K	AFH-46450-KDA
2 000	50	3	1-1/2	15	AFH-4658-K	AFH-4658-KDA	195	275	1-1/2"	2"	
4 000		6									
6 000		9									
8 000		12									
10 000		15									
15 000		22.5	2	30	AFH-46510-K	AFH-46510-KDA	245	320	1-1/2"		
20 000		30									
25 000		37.5	3	45	AFH-46520-K	AFH-46520-KDA	255	330	1-1/2"		
27 000		40									

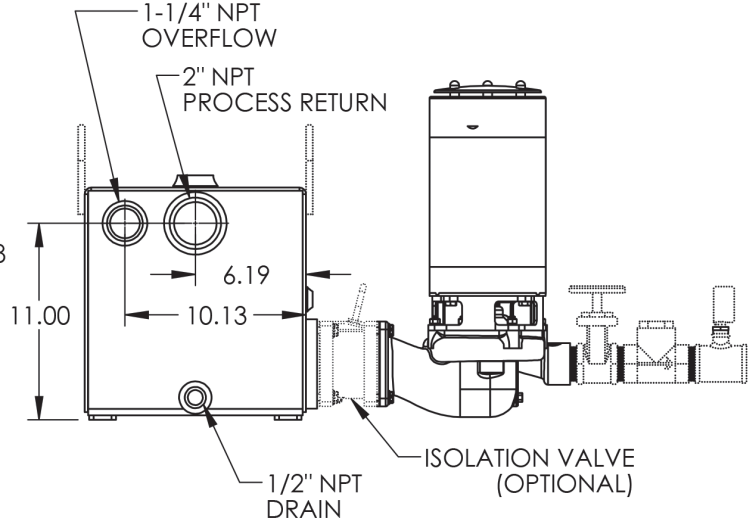
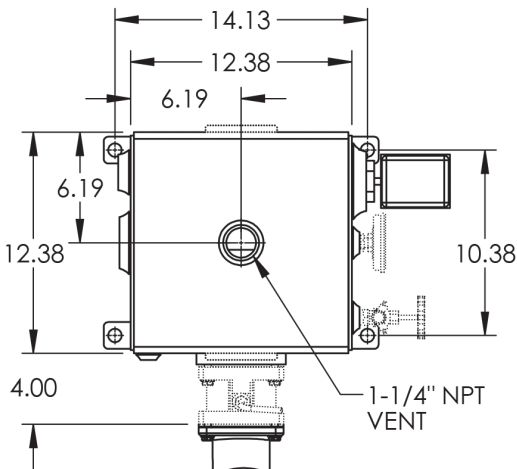
Sample Specification

Furnish and install, where indicated on plans, an Armstrong 4600 Series (simplex or duplex) condensate unit(s), having a capacity of _____ sq. ft. E.D.R. _____ GPM against a discharge pressure of _____ PSI. The receiver shall have a capacity of _____ gallons and be of 3/16" steel construction. Pump(s) shall be of the centrifugal type with one-piece enclosed stainless steel impeller, stainless steel inducer, cast iron housing, high temperature (300°F) mechanical seal and stainless steel motor shaft. The float switch shall be two-pole with plastic case, stainless steel float and shaft, and double-break silver contacts. An optional inlet "Y" or basket strainer is recommended for installation on the tank return inlet for pump protection. The motor(s) shall be vertical, 3450 RPM, _____ phase, _____ volt, 60 cycle, _____ H.P. The complete unit is to be factory assembled and tested prior to shipment.

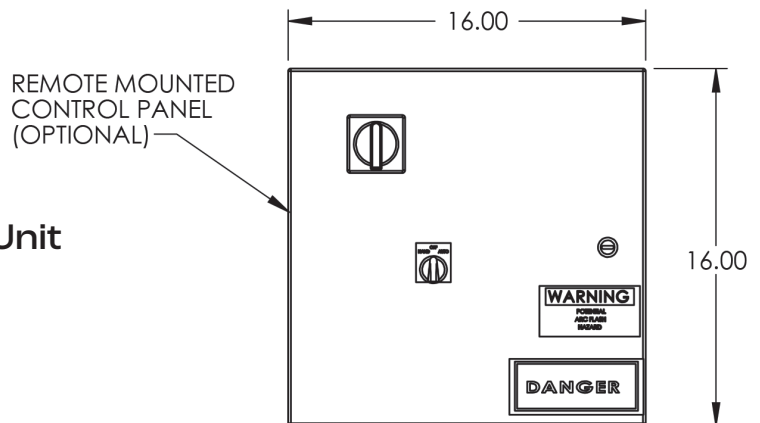
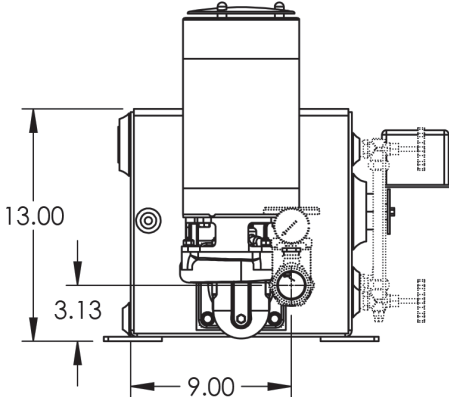
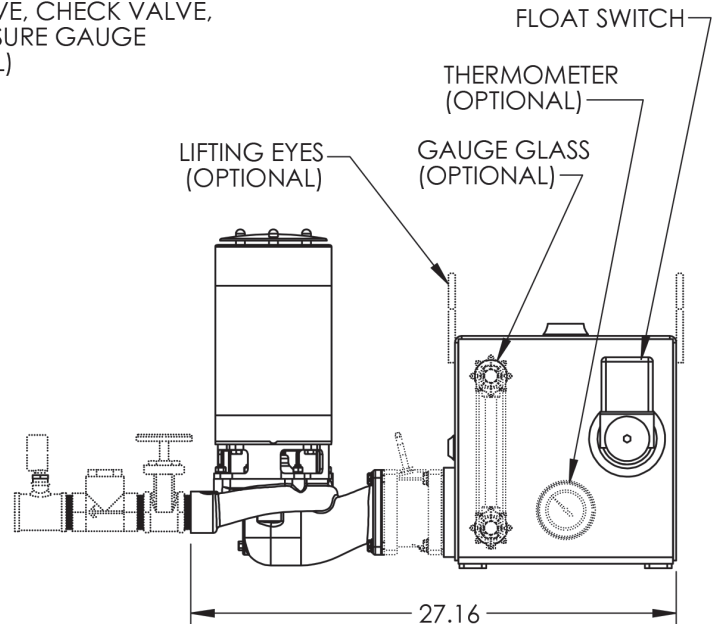
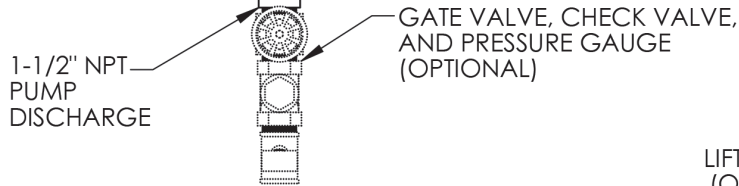
Armstrong International

The Americas | Asia | India | Europe, Middle East, Africa

Product Features



LH SIDE VIEW

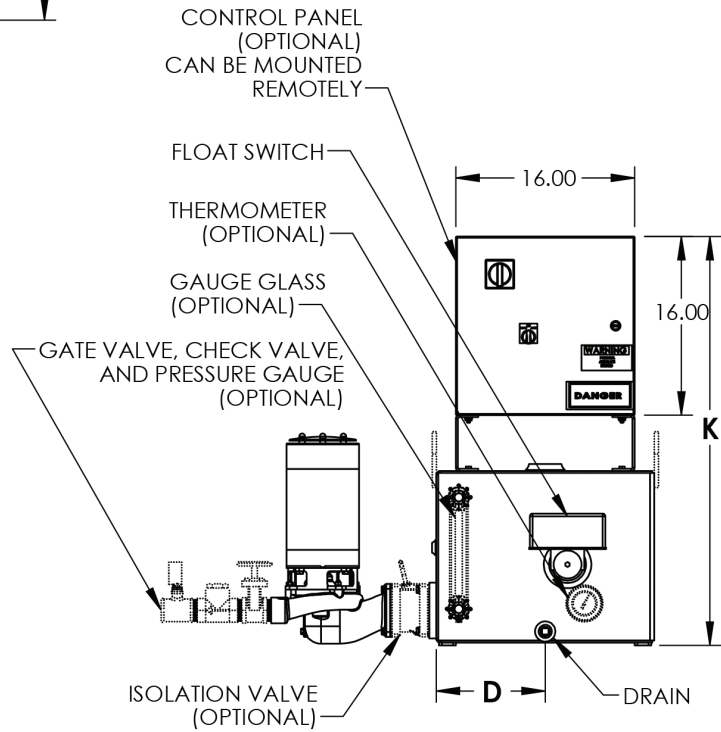
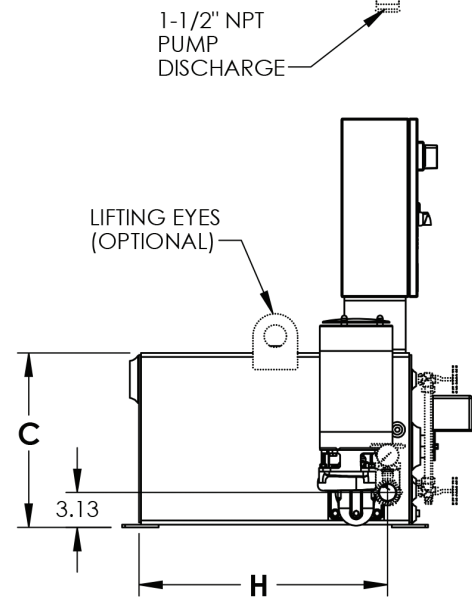
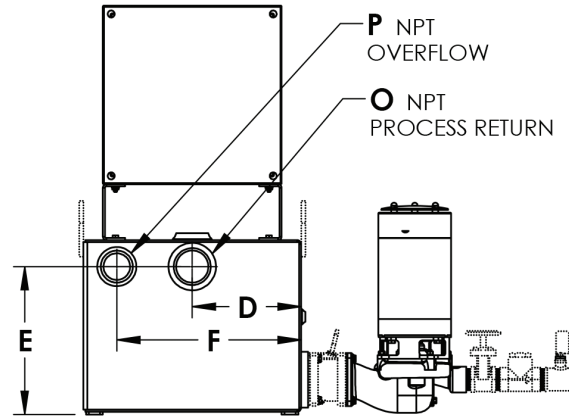
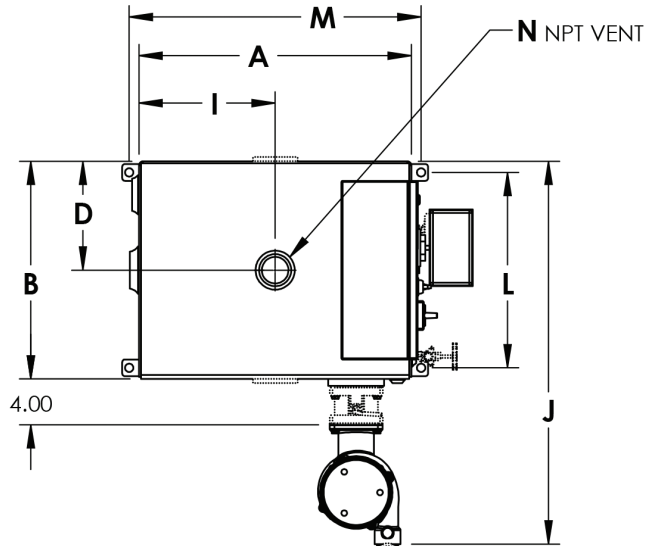


4600 "K" Series Condensate Unit
8 Gallon Simplex
Receiver Material: Steel

Armstrong International
 The Americas | Asia | India | Europe, Middle East, Africa



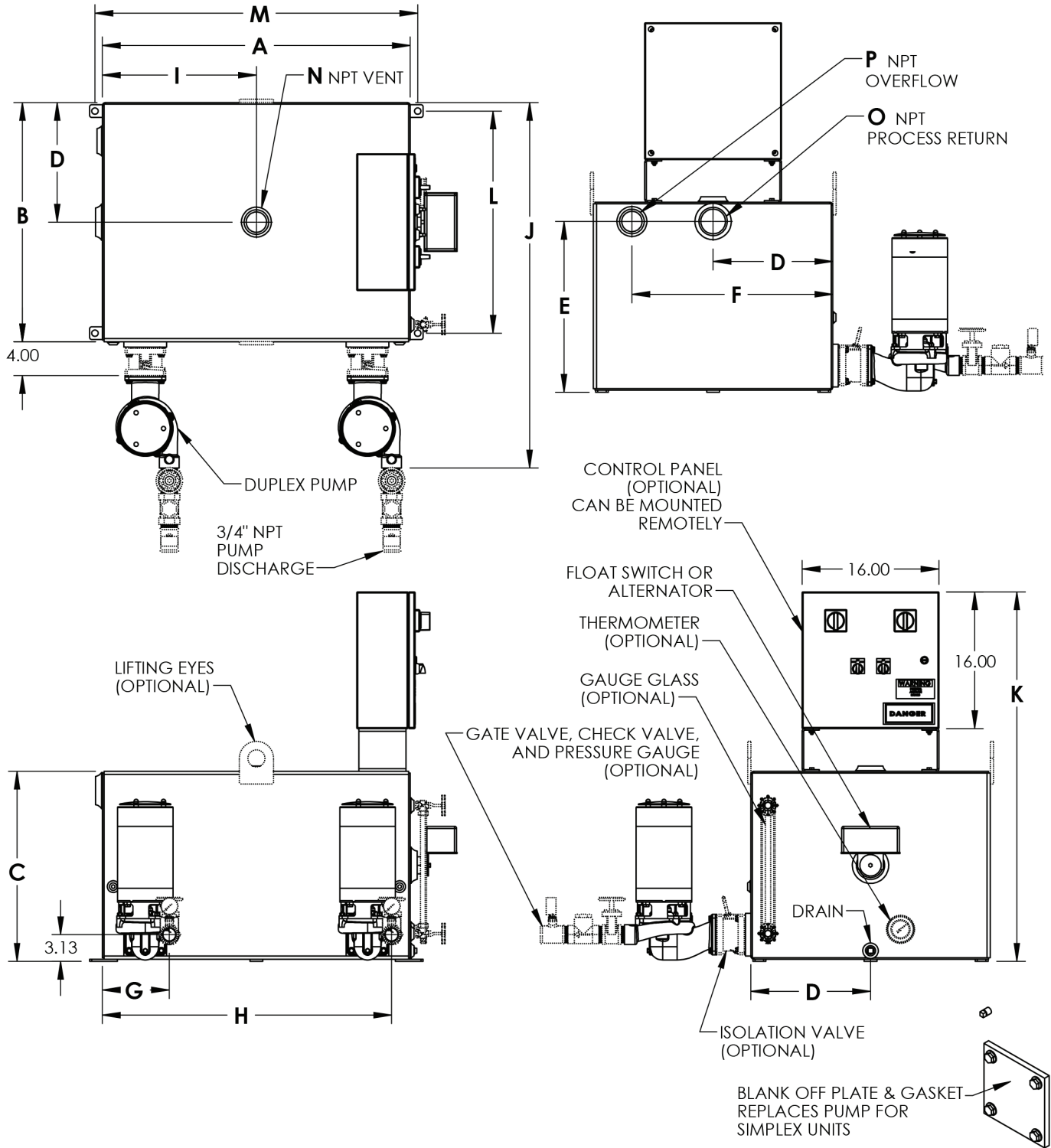
Product Features



4600 "K" Series Condensate Unit – Receiver Material: Steel

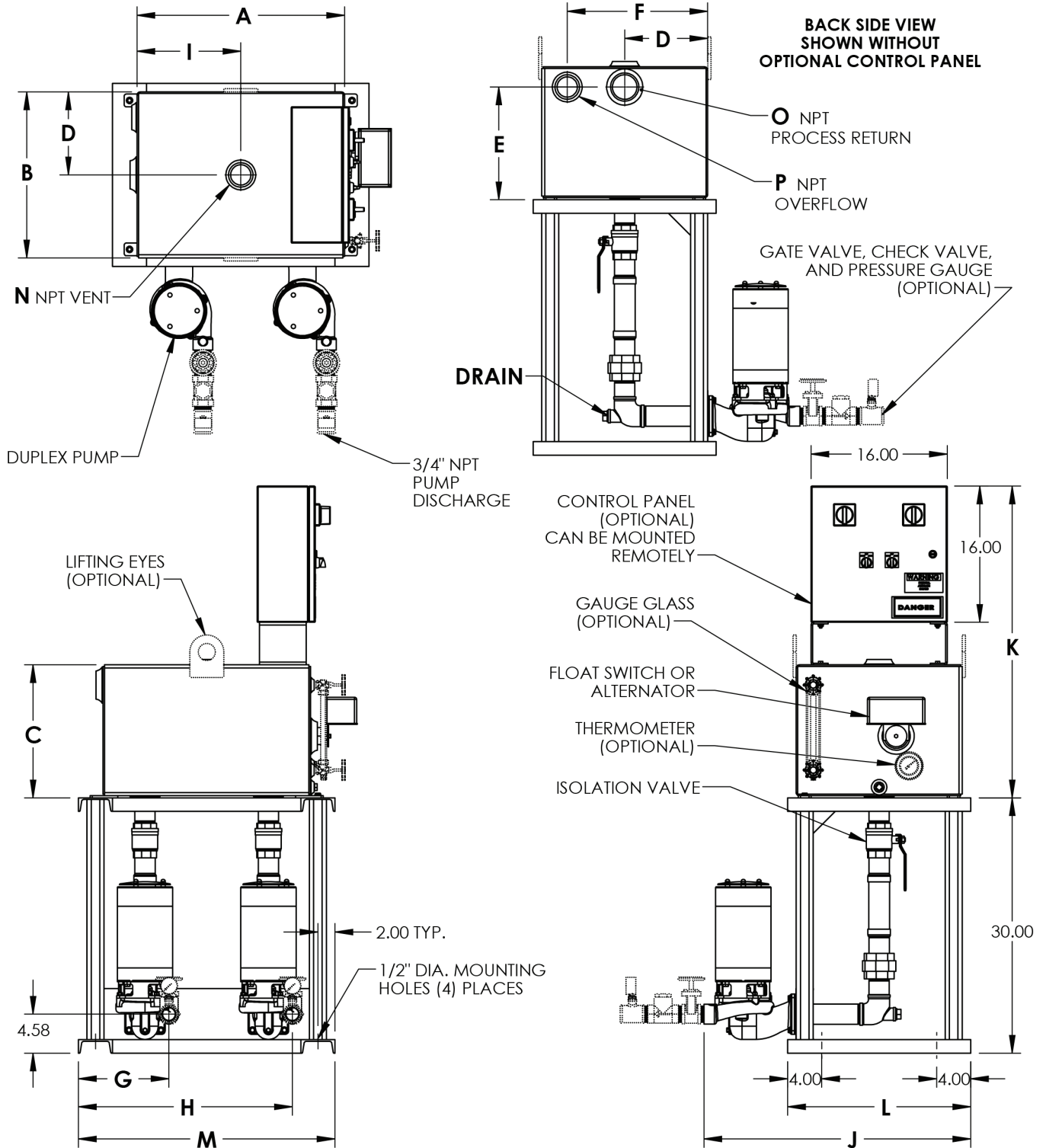
RECEIVER SIZE	A	B	C	D	E	F	G	H	I	J	K	L	M	N	O	P	DRAIN
15 GAL	16.63	16.25	14.25	8.13	12.25	13.75		16.37	8.31	31.00	35.25	14.25	18.38	1-1/2"	2"	1-1/2"	1/2" NPT
30 GAL	24.38	19.50	15.63	9.75	13.25	16.50		22.25	12.19	34.25	35.63	17.50	26.13	2"	2-1/2"	2"	1/2" NPT

Product Features



4600 "K" Series Condensate Unit – Receiver Material: Steel

RECEIVER SIZE	A	B	C	D	E	F	G	H	I	J	K	L	M	N	O	P	DRAIN
15 GAL	16.63	16.25	14.25	8.13	12.25	13.75	5.87	16.37	8.31	31.00	35.25	14.25	18.38	1-1/2"	2"	1-1/2"	1/2" NPT
30 GAL	24.38	19.50	15.63	9.75	13.25	16.50	7.75	22.25	12.19	34.25	35.63	17.50	26.13	2"	2-1/2"	2"	1/2" NPT
45 GAL	24.00	22.00	20.25	11.00	18.00	19.00	7.57	22.07	12.00	36.75	41.25	20.00	25.75	2"	2-1/2"	2"	1/2" NPT
60 GAL	24.00	27.00	22.25	13.50	20.00	24.00	7.57	22.07	12.00	41.75	43.25	25.00	25.75	2"	2-1/2"	2"	1/2" NPT
95 GAL	36.00	28.00	22.25	14.00	20.00	23.50	7.81	33.81	18.00	42.75	43.25	26.00	37.75	2"	2-1/2"	2"	1/2" NPT
120 GAL	36.00	36.00	22.25	18.00	20.00	31.50	7.81	33.81	18.00	50.75	43.25	34.00	37.50	2"	2-1/2"	2"	1/2" NPT



4600 "K" Series Elevated Condensate Unit – Receiver Material: Steel

RECEIVER SIZE	A	B	C	D	E	F	G	H	I	J	K	L	M	N	O	P	DRAIN
15 GAL	16.63	16.25	14.25	8.13	12.25	13.75	8.75	19.25	8.31	28.08	35.25	18.25	22.83	1-1/2"	2"	1-1/2"	1" NPT
30 GAL	24.38	19.50	15.63	9.75	13.25	16.50	10.63	25.13	12.19	31.33	35.63	21.50	30.13	2"	2-1/2"	2"	1" NPT
45 GAL	24.00	22.00	20.25	11.00	18.00	19.00	10.45	24.95	12.00	33.83	41.25	24.00	29.75	2"	2-1/2"	2"	1" NPT
60 GAL	24.00	27.00	22.25	13.50	20.00	24.00	10.45	24.95	12.00	38.83	43.25	29.00	29.75	2"	2-1/2"	2"	1" NPT
95 GAL	36.00	28.00	22.25	14.00	20.00	23.50	10.69	36.69	18.00	39.83	43.25	30.00	41.75	2"	2-1/2"	2"	1" NPT
120 GAL	36.00	36.00	22.25	18.00	20.00	31.50	10.69	36.69	18.00	47.83	43.25	38.00	41.75	2"	2-1/2"	2"	1" NPT



INTELLIGENT THERMAL UTILITIES SOLUTIONS FROM A GLOBAL
LEADER IN ENERGY MANAGEMENT AND ENJOYABLE EXPERIENCES

Armstrong International

The Americas | Asia | Europe, Middle East, Africa

[armstronginternational.com](https://www.armstronginternational.com)