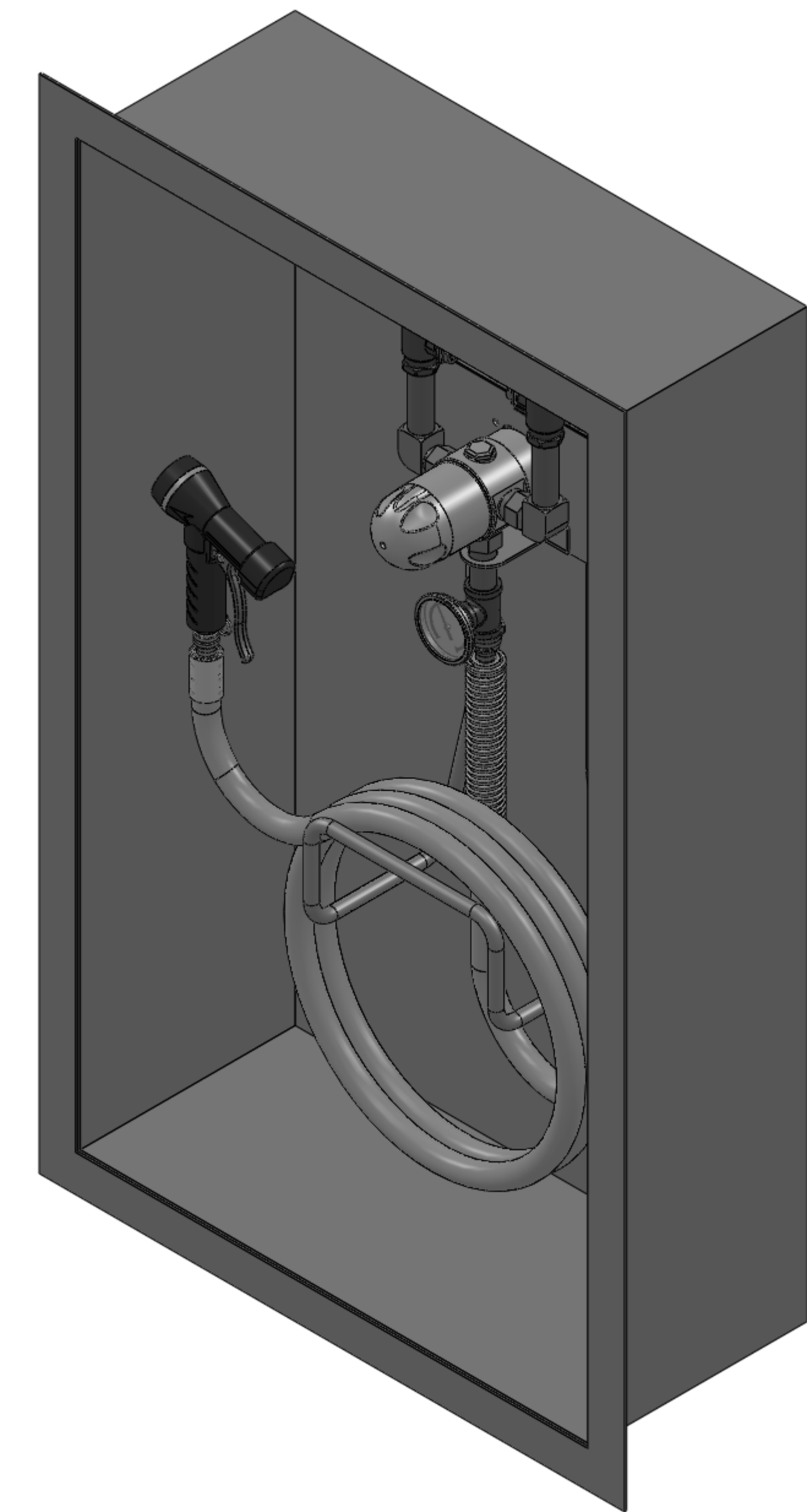
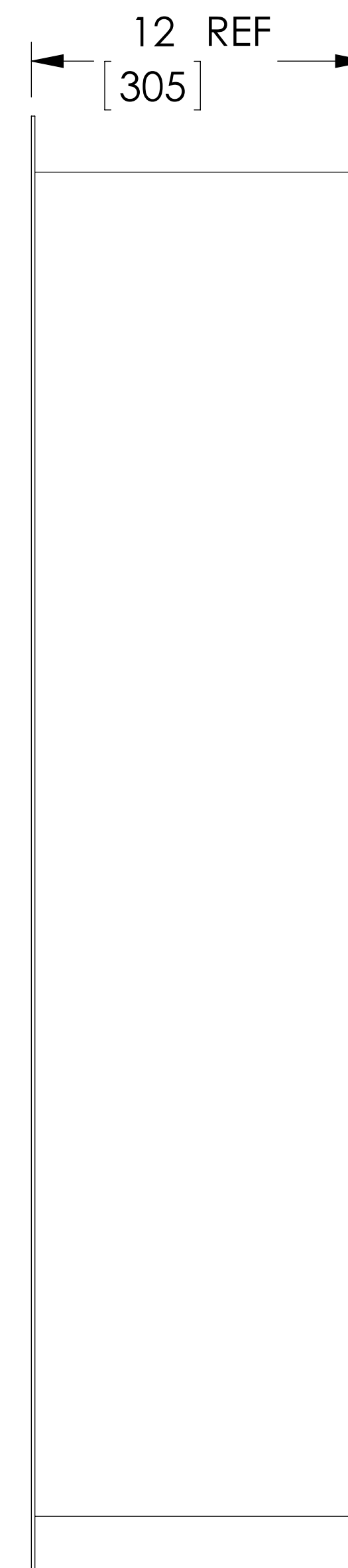
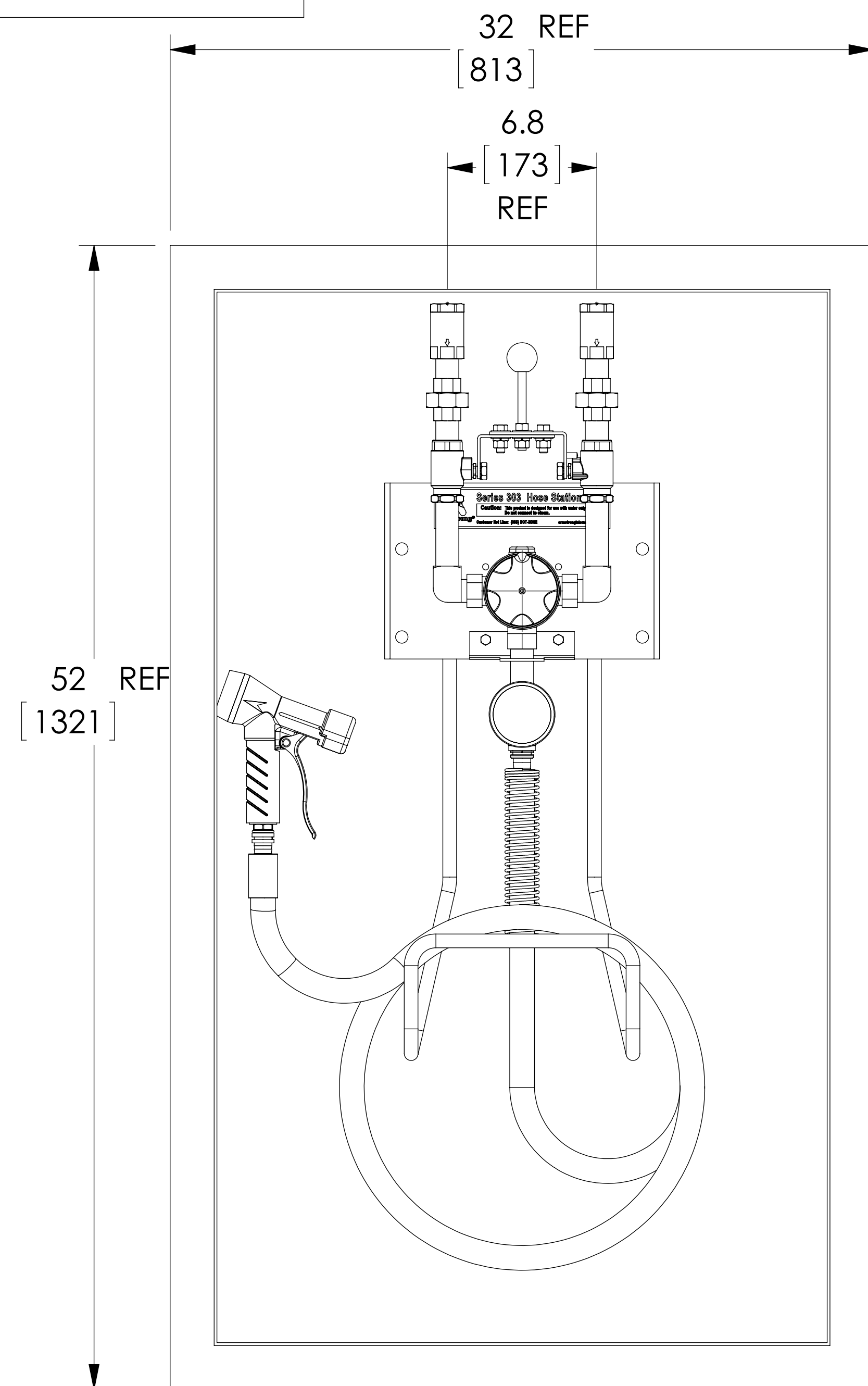
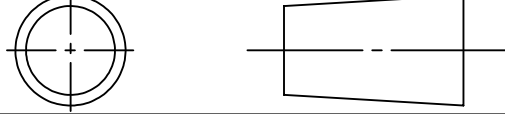



ITEM	MATERIAL
MIXING VALVE BODY	BRASS
COMPONENTS	BRASS
BACKPLATE / RACK	STAINLESS STEEL
HOSE	YELLOW (190F[88C])
NOZZLE	N/A
LOCATION	CONNECTION
COLD WATER IN CONNECTION	3/4" NPT
HOT WATER IN CONNECTION	3/4" NPT
OUTLET	3/4" NPT



NOTES:
 CABINET SHOWN WITH DOORS OFF FOR VIEWING CLARITY
 REFERENCE ARMSTRONG DRAWING D660840

 DO NOT SCALE DRAWING TOLERANCES UNLESS OTHERWISE SPECIFIED DIMENSIONING ENGLISH [mm]			ARMSTRONG INTERNATIONAL Copyright © 2010 ARMSTRONG INTERNATIONAL, INC.																						
FRACTIONAL ± 1/64 ANGULAR: ± 2			3033 3/4 NPT BRS STD W/HOSE RACK YEL HOSE 50 FT 038_10 STD FMCD BRZCV																						
DECIMAL	<table border="0"> <tr> <td>.XXX</td> <td>±</td> <td>.0005</td> <td>----</td> </tr> <tr> <td>.XX</td> <td>±</td> <td>.015</td> <td>.10</td> </tr> <tr> <td>.X</td> <td>±</td> <td>-----</td> <td>.3</td> </tr> </table>	.XXX	±	.0005	----	.XX	±	.015	.10	.X	±	-----	.3	<table border="0"> <tr> <td></td> <td>NAME</td> <td>DATE</td> </tr> <tr> <td>DRAWN</td> <td>CFG</td> <td>12/9/2015</td> </tr> <tr> <td>RELEASED</td> <td></td> <td></td> </tr> </table>		NAME	DATE	DRAWN	CFG	12/9/2015	RELEASED			D660840 C-208014	MATERIAL SHEET 1 OF 1 REV DWG. SALES
.XXX	±	.0005	----																						
.XX	±	.015	.10																						
.X	±	-----	.3																						
	NAME	DATE																							
DRAWN	CFG	12/9/2015																							
RELEASED																									